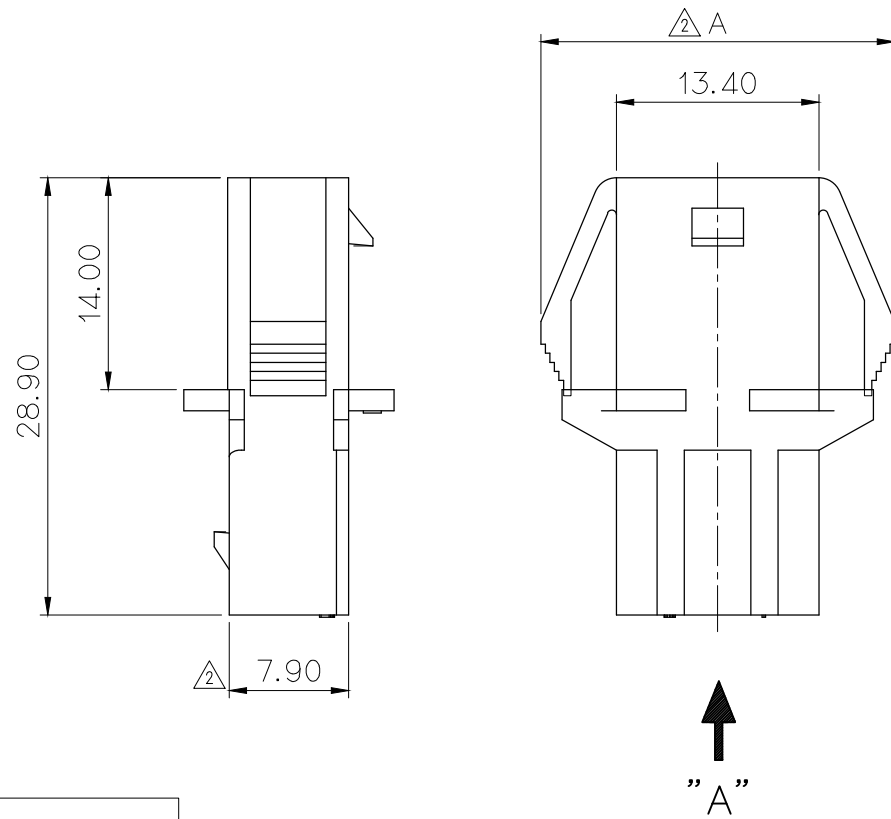
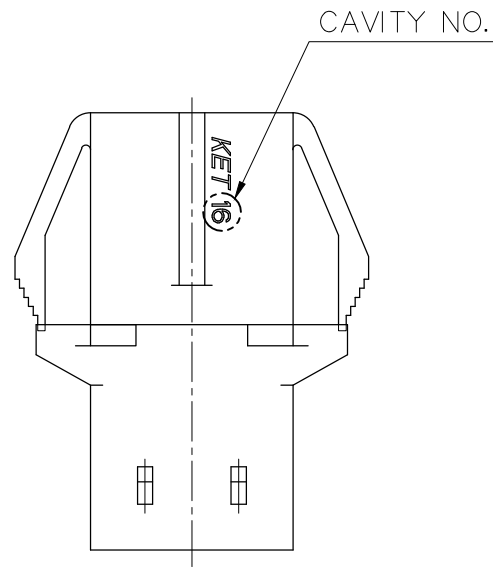
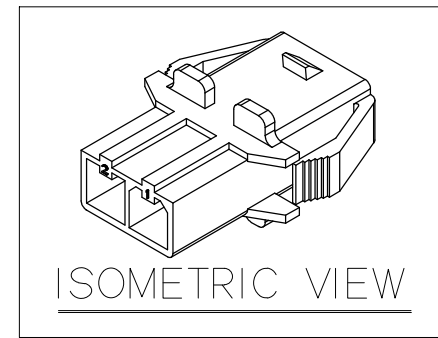
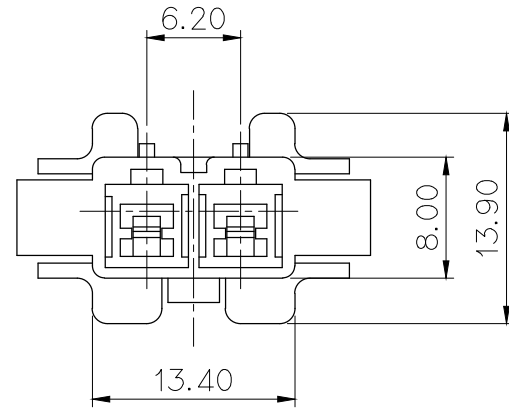
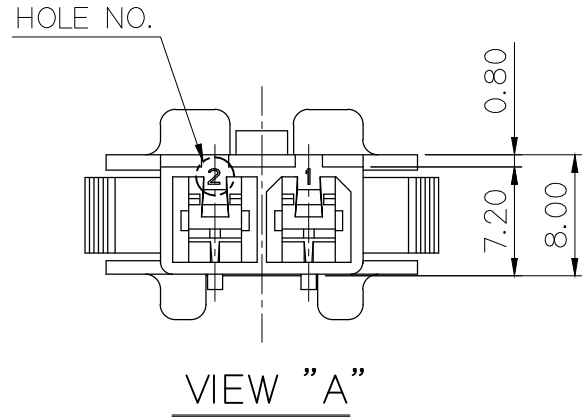


△ GENERAL TOLERANCE (HOUSING)					USED ON
10MAX	50MAX	100MAX	100VR	()	
±0.25	±0.35	±0.55	±0.95	±1.0	

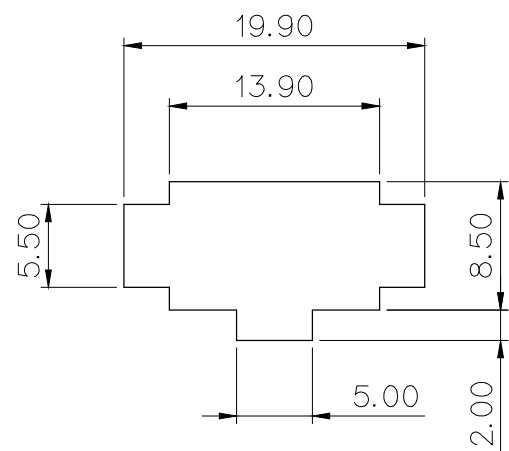


NOTE

- MUST BE FREE OF BURR, WELDLINE AND IMPERFECTION THAT AFFECT FUNCTION.
- APPLICABLE HOUSING : MG615304*
 △ TERMINAL : ST741435
 REAR HOLDER : MG635317
- 6HAZARDOUS SUBSTANCES IN PARTS (Lead, Mercury, Cadmium, Hexavalent Chromium, PBBs, PBDEs) SHALL NOT EXCEED THE MAXIMUM PERMISSIBLE CONCENTRATION PRESCRIBED UNDER EU ELV DIRECTIVE & RoHS REGULATION

주 기

- 기능상 유해한 BURR 및 WELDLINE등이 없을것.
- 적용 하우징 : MG615304*
 △ 터미널 : ST741435
 리홀더 : MG635317
- 제품 내 함유된 6대 유해물질 (납, 수은, 카드뮴, 6가 크롬, PBBs, PBDEs)은 EU ELV 지침 및 RoHS 법규에서 지정한 최대 허용농도를 초과해서는 안 된다.



PANEL HOLE DIMENSION

NO.	PART NO.	MATERIAL	A
①	MG625305	PBT	△ (22.70)
②	MG625305T	PET/PC	△ (23.40)

△ NO.	PART NO.	MATERIAL
1	MG625305	PBT (VO)
2	MG625305T	PET+PC (G.W.I.T)

ISSUE MARK

NO.	COLOR	MG625305	MG625305T
0	NATURAL	*	*
1	RED		
2	BLUE		*
3	YELLOW		
5	BLACK		

MATERIAL		SEE TABLE	KIET KOREA ELECTRIC TERMINAL CO., LTD.
FINISH		△ SEE TABLE	
WIRE RANGE			CLASS NEW 070 MULTI
INSULATION			TYPE
LTR	REVISION RECORD	DR. CHK. APP. DATE	TOLERANCE EXCEPT AS NOTED SEE TABLE
DR. P.J.M '10.12.13		CHK. KSH 12/27	SCALE 2/1
CHK.		APP. 12/27	PART NAME NEW 070 MULTI 2M HSG_WING
			PART NO. MG625305 / MG625305T