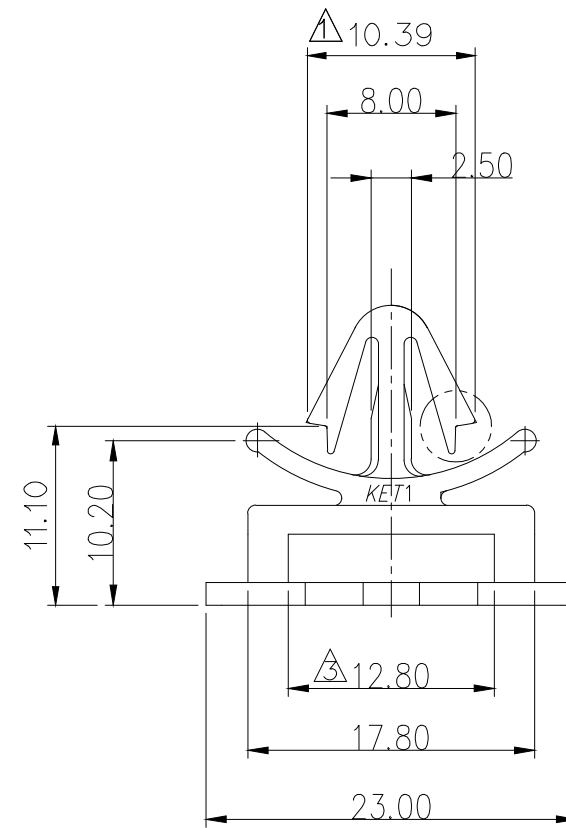


GENERAL TOLERANCE (HOUSING)							USED ON
10MAX	50MAX	100MAX	250MAX	250VR	ANGLE	ECCENT	
±0.2	±0.3	±0.55	±0.95	±1.4	±30'	0.1	

NOTE

- 기능상 유해한 BURR, 수축, 변형등이 없을 것.
- 적용 HS'G : LIF 32P REC. HS'G (MG641707)
- CLIP INSERTION FORCE : 5Kgf이하  
RETENTION FORCE : 5Kgf 이상



NO.	MATERIAL	COLOR
0	PA66	NATURAL
1		RED
2		BLUE
20		JADE
3		YELLOW
4		GRAY
40		DARK GRAY
41		LIGHT GRAY
5		BLACK
6		DARK GREEN
7		BROWN
8	LIGHT GREEN	
9	MAGENTA	
11	ORANGE	

APPROVED

2018-12-07

KOREA ELECTRIC  
TERMINAL CO., LTD.  
Connector Development Team 1

ISSUE MARK

ECO-1405-180근거 도면 재작성	ASY	HYJ	HJB	'14.05.27	MATERIAL	SEE TABLE	KOREA ELECTRIC TERMINAL CO., LTD.	
ECO-1301-108근거 도면 재작성	YM.K	CSH	HSH	'13.01.14	FINISH	SEE TABLE		
시방(040212) 근거 변경	CJH			041209	WIRE RANGE		CLASS	
시방(020150) 근거 변경	KYM			021026	INSULATION		TYPE	
LTR	REVISION RECORD	DR.	CHK.	APP.	DATE	TOLERANCE EXCEPT AS NOTED	SCALE	PART NO.
DR.	MOOK,990324	CHK.			03/25	SEE TABLE	2/1	MG631970
CHK.		APP.			03/26	PART NAME	LIF 32P CLIP ( ø7 KEY HOLE )	