

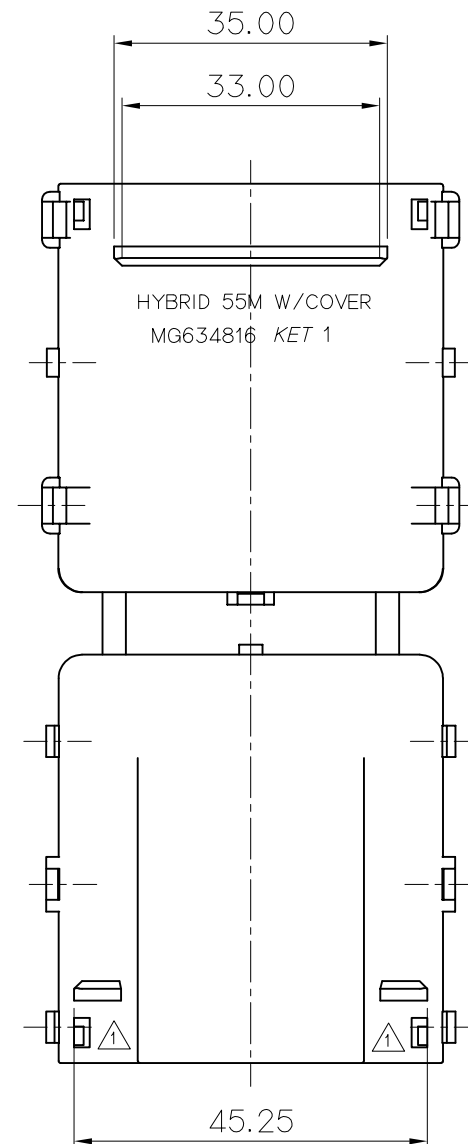
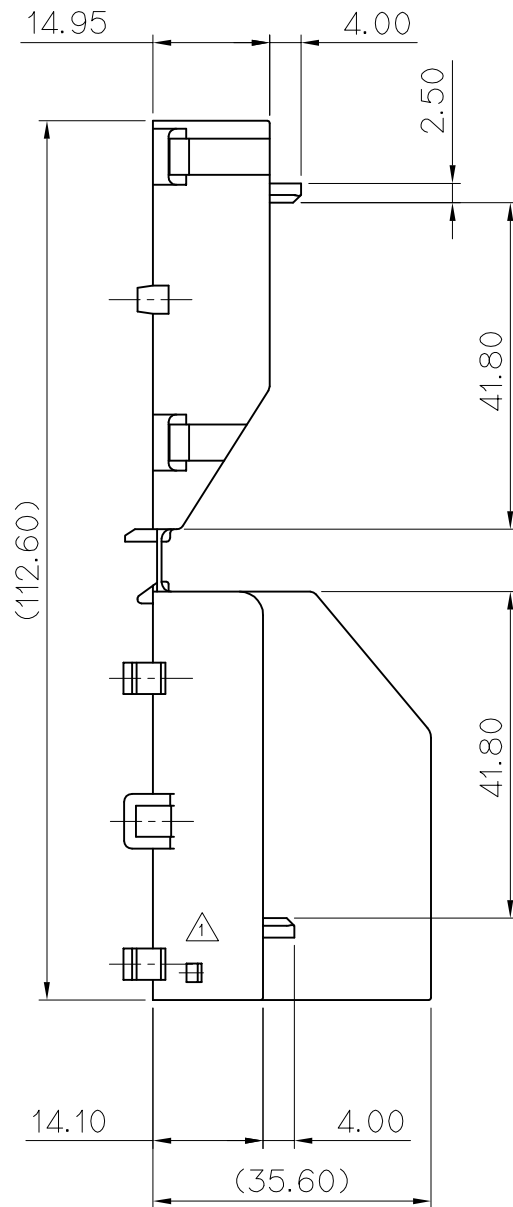
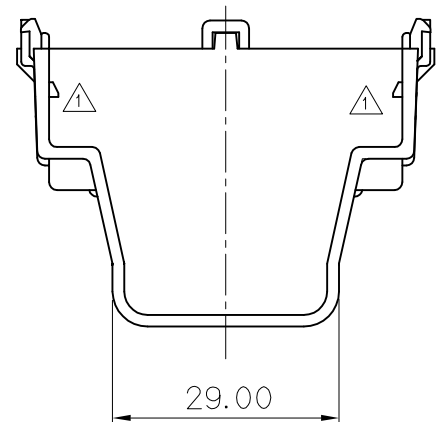
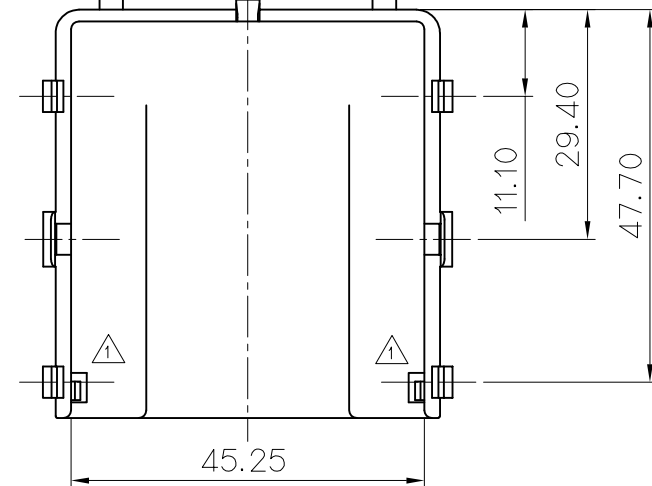
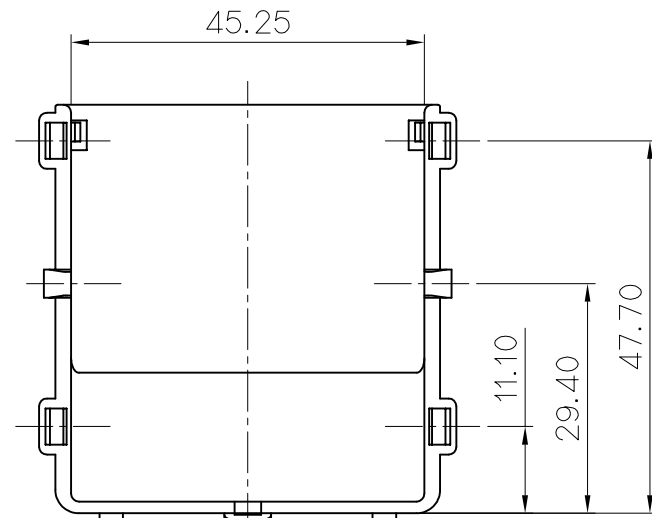
GENERAL TOLERANCE (HOUSING)							USED ON
10MAX	50MAX	100MAX	250MAX	250VR	ANGLE	ECCENT	
±0.2	±0.3	±0.55	±0.95	±1.4	±30'	0.1	

주 기

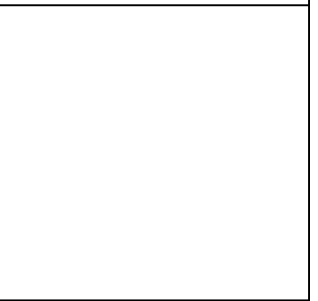
- 기능상 유해한 BURR 및 WELDLINE 등이 없을것.
- 적용 HOUSING : MG644771
- 제품내 함유된 6대 유해물질 (납, 수은, 카드뮴, 6가크롬, PBBs, PBDEs)은 EU ELV 지침 및 RoHS 법규에서 지정한 최대 허용 농도를 지정한 최대 허용 농도를 초과해서는 안된다.

NOTE

- MUST BE FREE OF FLASH, SINK AND IMPERFECTION THAT AFFECT FUNCTION.
- APPLICABLE HOUSING: MG644771
- 6 HAZARDOUS SUBSTANCES IN PARTS (LEAD, MERCURY, CADMIUM, HEXAVALENT CHROMIUM, PBBs, PBDEs) SHALL NOT EXCEED THE MAXIMUM PERMISSIBLE CONCENTRATION PRESCRIBED UNDER EU ELV DIRECTIVE & RoHS REGULATION.



NO.	MATERIAL	COLOR
0	P.P	NATURAL
1		RED
2		BLUE
20		JADE
3		YELLOW
* 4		GRAY
40		DARK GRAY
41		LIGHT GRAY
* 5		BLACK
6		DARK GREEN
7		BROWN
8	LIGHT GREEN	
9	MAGENTA	
11	ORANGE	



ISSUE MARK

						MATERIAL	SEE TABLE	KET KOREA ELECTRIC TERMINAL CO., LTD.
						FINISH	SEE TABLE	
						WIRE RANGE	CLASS 02509187	
						INSULATION		TYPE HYBRID
△	ECO-1107-117 근거 Lock부 추가	SSH	JYS	—	11.07.06	TOLERANCE EXCEPT AS NOTED	SCALE 1/1	PART NO. MG634816
LTR	REVISION RECORD	DR.	CHK.	APP.	DATE	PART NAME	HYBRID 55M WIRE COVER	
	DR. YSW '10.05.27		CHK.					
	CHK. 05/27		APP.		05/27			