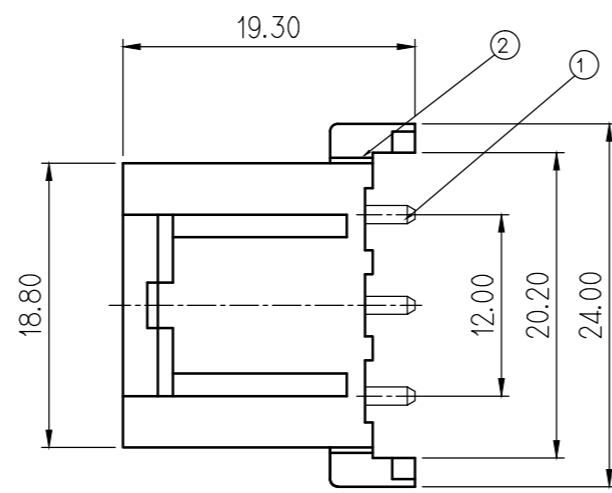


GENERAL TOLERANCE (HOUSING)							USED ON
10MAX	50MAX	100MAX	250MAX	250VR	ANGLE	ECCENT	
±0.2	±0.3	±0.55	±0.95	±1.4	±30'	0.1	

NO.	COLOR
0	NATURAL
1	RED
2	BLUE
3	YELLOW
5	BLACK
8	GREEN

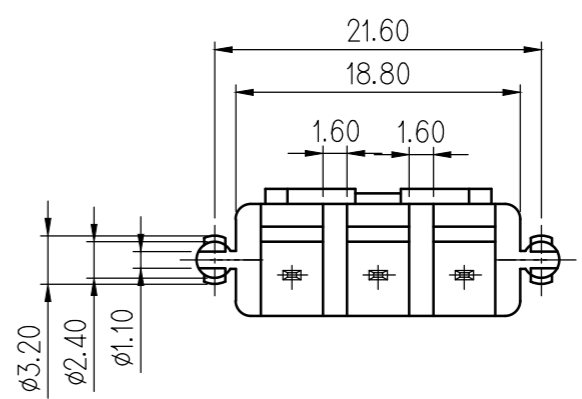
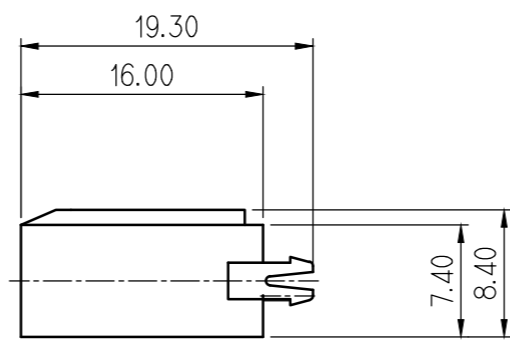
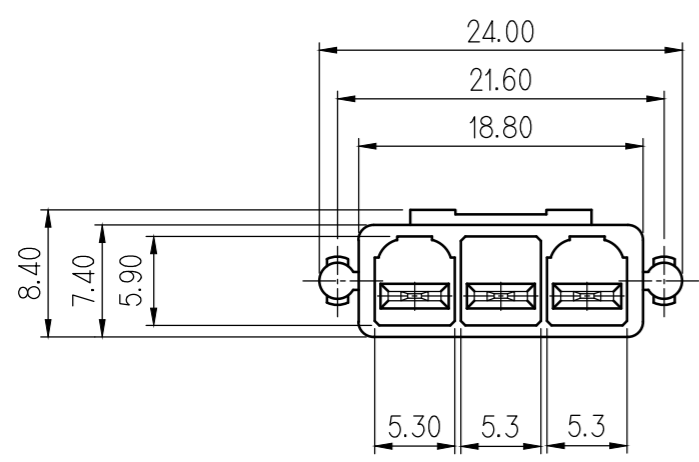


주 기

- 1.기능상 유해한 FLASH, SINK,WELDLINE 등이 없을것.
- 2.적용 HOUSING:MG610606, 610606R
- 3.제품내 함유된 6대 유해물질 (납,수은,카드뮴,6가크롬, PBBs,PBDEs)은 EU ELV 지침 및 RoHS 법규에서 지정한 최대 허용 농도를 초과해서는 안된다.

NOTE

1. MUST BE FREE OF FLASH, SINK,WELDLINE AND IMPERFECTION THAT AFFECT FUNCTION.
2. APPLICABLE HOUSING : MG610606, 610606R
3. 6 HAZARDOUS SUBSTANCES IN PARTS (LEAD,MERCURY, CADMIUM,HEXAVALENT CHROMIUM,PBBs,PBDEs) SHALL NOT EXCEED THE MAXIMUM PERMISSIBLE CONCENTRATION PRESCRIBED UNDER EU ELV DIRECTIVE & RoHS REGULATION.



NO	PART NAME	MATERIAL	FINISH
1	1806 PCB TAB	BRASS	PRE-TIN
2	1806 REC.3P	NYLON	SEE TABLE

NO	P/NO	MATERIAL
1	MG640608	NYLON
2	MG640608R	NYLON(GWIT)

		MATERIAL	SEE TABLE	KET KOREA ELECTRIC ENGINEERED TERMINAL CO., LTD.				
		FINISH	SEE TABLE					
		WIRE RANGE		CLASS				
		INSULATION		TYPE				
LTR	REVISION RECORD	DR.	CHK.	APP.	DATE	TOLERANCE EXCEPT AS NOTED	SCALE	PART NO.
		HAN '93.07.12				SEE TABLE	2/1	MG640608/MG640608R
		PART NAME		1806 PCB REC. 3P				

ISSUE MARK