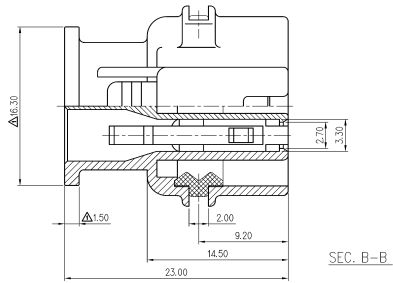
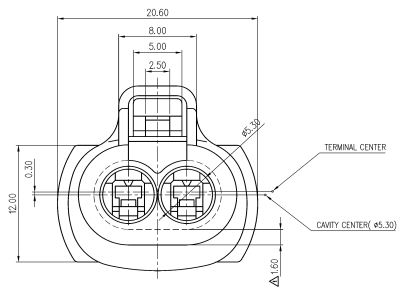


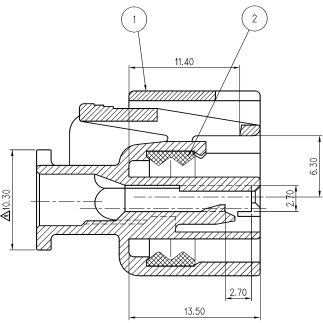
GENERAL TOLERANCE (HOUSING)					USED ON	
10MAX	20MAX	45MAX	ANGLE	ECCENT		
±0.2	±0.25	±0.3	±30'	0.1		
GENERAL TOLERANCE (SILICONE RUBBER)						
50MAX	100MAX	250MAX	2500VR	ANGLE	ECCENT	
±0.2	±0.3	±0.5	±0.75	±30'	0.1	



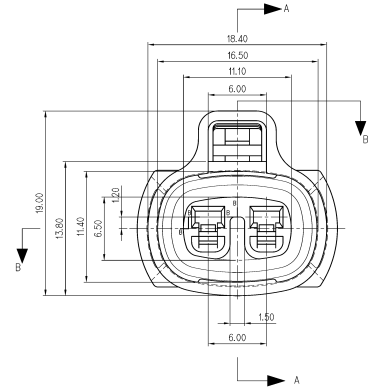
SEC. B-B



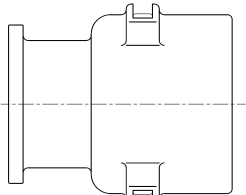
TERMINAL CENTER
CAVITY CENTER (±5.30)



SEC. A-A



- NOTES
1. 기능상 유해한 BURR 및 변형들이 없을 것.
 2. CONNECTOR 삽입력: 5 Kgf 이하
 3. 외측 TERMINAL: ST730502, ST730554
WIRE SEAL: MG680604, MG680749
 4. 방수성능은 0.5kgf/cm², 30sec into Air에 만족할 것



ISSUE MARK

MATERIAL	SEE TABLE		KET ENGINEERING KOREA ELECTRIC TERMINAL CO., LTD.
FINISH	SEE TABLE		
WIRE RANGE		CLASS	
INSULATION		TYPE	7223-9327
REAR COVER LOCK R/N REVISION SECOND	WORK DATE 10.04.10 DR. APP. DATE 0.20	SCALE	4/1
DR. SIK 94.08.13 CHK.	DR. APP. DATE 0.20 PART NAME WP 090 2P CONNECTOR(PRESSURE S/W)	PART NO.	MG640795
CHK. CH-24 0.20 APP.	0.20		