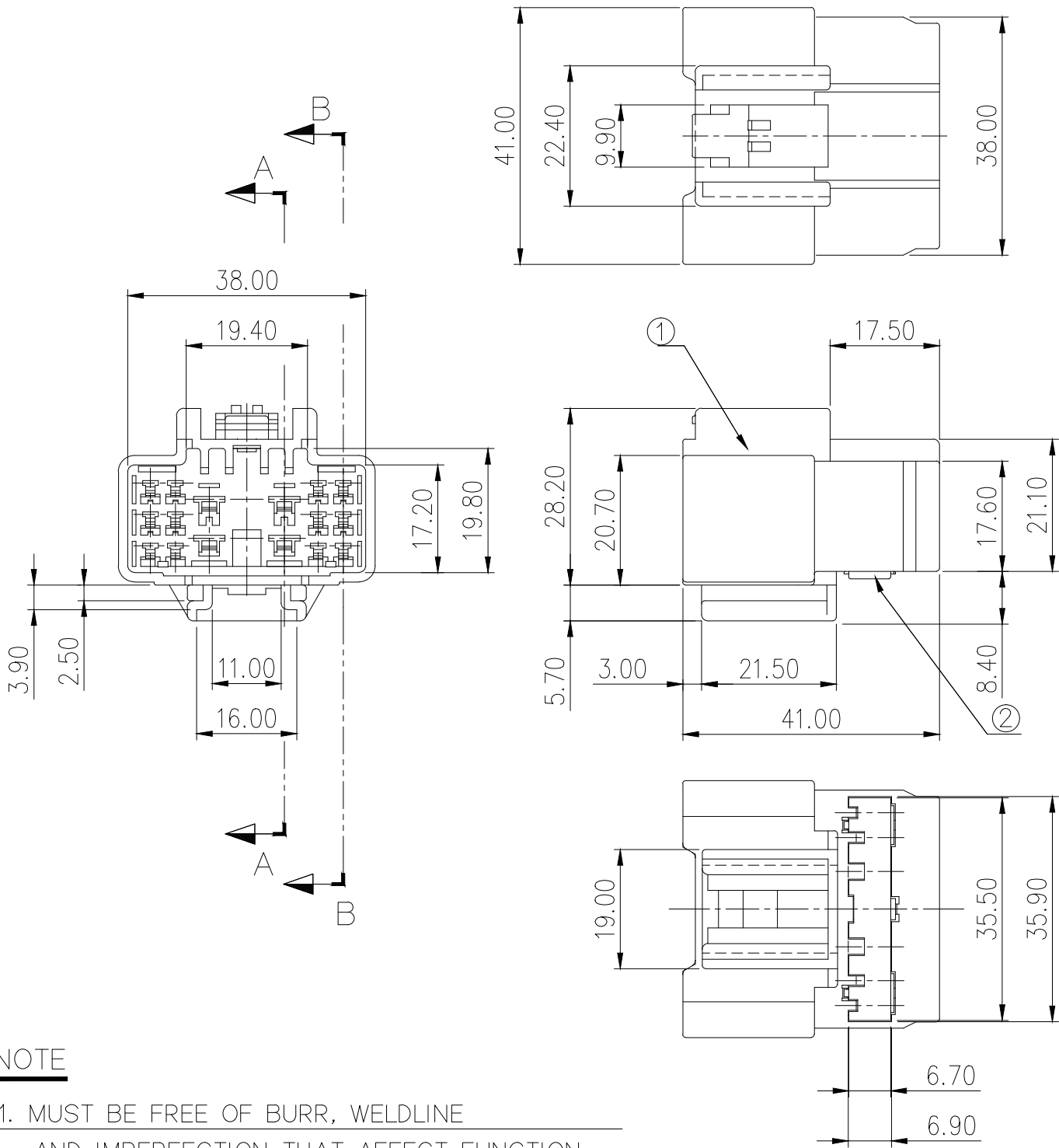


NO.	PART NO.	PART NAME	MATERIAL	REMARK
①	MG670997	1809 16P REC. HOUSING	PBT	NATURAL
②	MG671005	1809 16P REC. SPACER	PBT	NATURAL



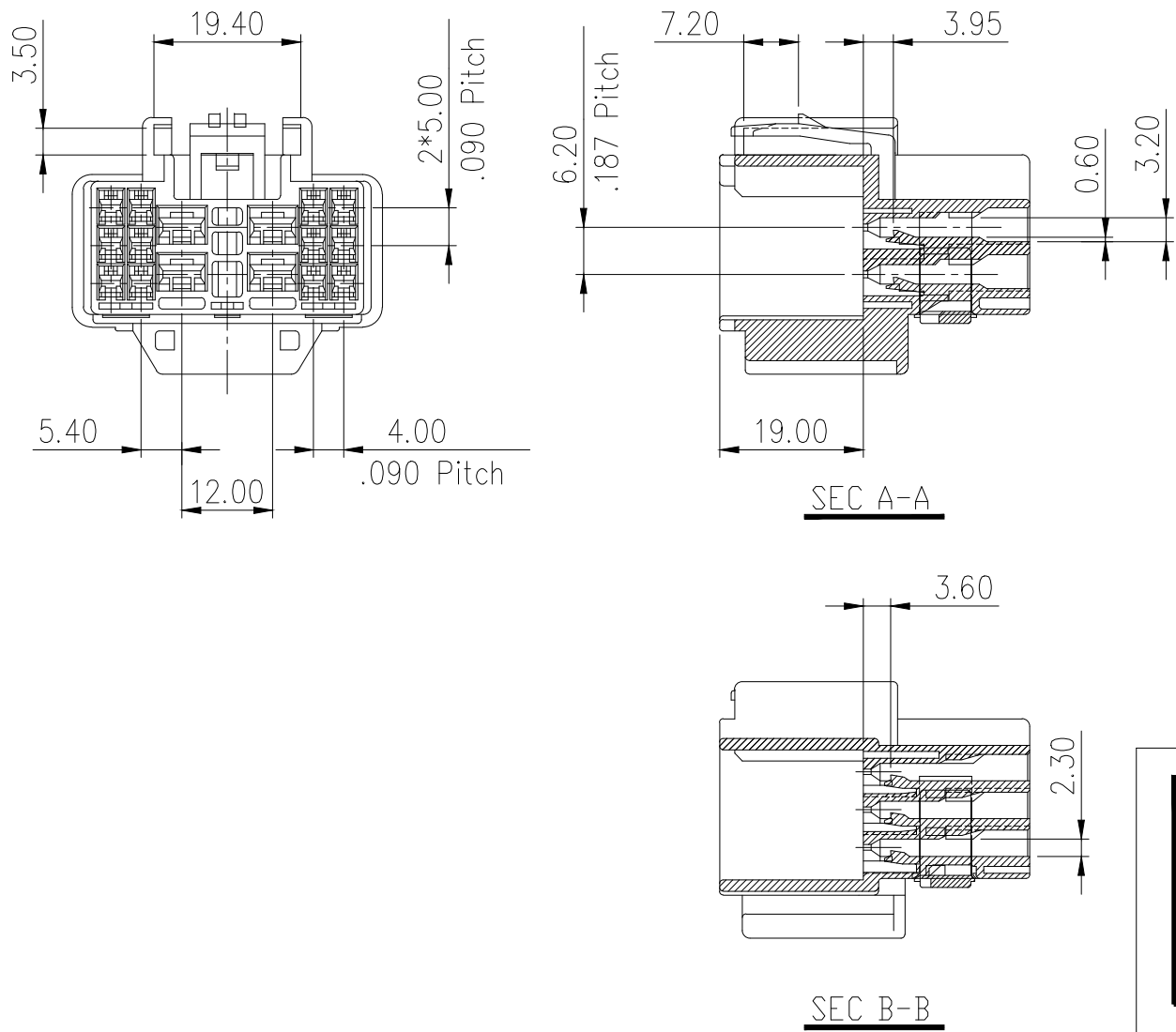
NOTE

- MUST BE FREE OF BURR, WELDLINE AND IMPERFECTION THAT AFFECT FUNCTION.
- APPLICABLE TERMINAL : ST740631,ST740632,ST740633 (.187 TYPE : 4 EA)
APPLICABLE TERMINAL : ST740672,ST740673,ST740674 (.090 TYPE : 12 EA)
- APPLICABLE HOUSING : MG651006
- SPACER SHOULD MAINTAIN AND SUPPLY PRIMART LOCK STATE LIKE THIS DRAWING.
- 6 HAZARDOUS SUBSTANCES IN PARTS (LEAD MERCURY,CADMIUM, HEXAVALENT CHROMIUM,PPBs,PPDEs) SHALL NOT EXCEED THE MAXIMUM PERMISSIBLE CONCENTRATION PRESCRIBED UNDER EU ELV DIRECTIVE & RoHS REGULATION.

GENERAL TOLERANCE (HOUSING)					USED ON
10MAX	20MAX	45MAX	ANGLE	ECCENT	
±0.2	±0.25	±0.3	±30'	0.1	

주 기

- 제품기능상 유해한 BURR,변형 및 WELDLINE 등이 없을 것.
- 적용 TERMINAL : ST740631, ST740632, ST740633 (.187 TYPE : 4 EA)
ST740672, ST740673, ST740674 (.090 TYPE : 12 EA)
- 적용 HOUSING : MG651006
- SPACER는 본 도면과 같이 1차 LOCK'G 상태로 유지,공급할 것.
- 제품내 함유된 6대 유해물질 (납,수은,카드뮴,6가크롬,PBBs,PBDEs)은 EU ELV 지침 및 RoHS 법규에서 지정한 최대 허용 농도를 초과해서는 안된다.




APPROVED

2019-11-06

**KOREA ELECTRIC
TERMINAL CO., LTD.**
Korea Electric Te
rminal Co., LTD.

ISSUE MARK

						MATERIAL	SEE TABLE	 KOREA ELECTRIC TERMINAL CO., LTD.		
						FINISH	SEE TABLE			
						WIRE RANGE	CLASS			
						INSULATION	TYPE 090/187			
LTR	REVISION RECORD		DR.	CHK.	CHK.	APP.	DATE	TOLERANCE EXCEPT AS NOTED	SCALE 1/1	PART NO. MG641007
DR.	YUN	'96.01.15	CHK.	BOG			3/13	PART NAME		
CHK.	S.I JANG	3/13	APP.	Watanabe			3/13	1809 16M CONNT ASSY		