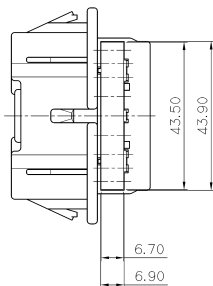
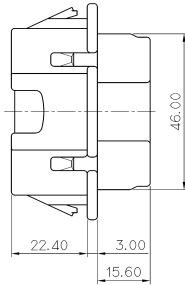
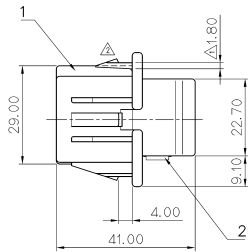
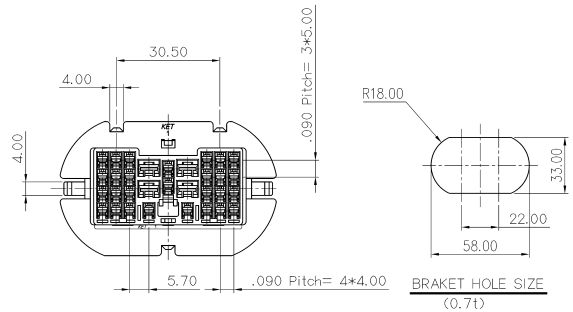


SECTION A-A



GENERAL TOLERANCE (HOUSING)							USED ON
10MAX	50MAX	100MAX	250MAX	250VR	ANGLE	ECCENT	
±0.2	±0.3	±0.55	±0.95	±1.4	±30'	0.1	

NO.	PART NO.	PART NAME	MATERIAL	REMARK
1	MG671014	DOOR 32P REC. HOUSING	PBT	NATURAL
2	MG671015	DOOR 32P REC. SPACER	PBT	NATURAL



NOTE

- 제품기능상 유해한 BURR, 변형 및 WELDLINE 등이 없을것.
- 적용 TERMINAL: ST740631, 632, 633(.187 TYPE: 4EA)  
ST740672, 673, 674 (.090 TYPE : 28 EA)
- 적용 HOUSING: MG651013
- SPACER는 본 도면과 같이 1차 LOCK'G상태로 유지, 금공할 것.



					MATERIAL	SEE TABLE	<b>KET</b> KOREA ELECTRIC TERMINAL CO., LTD.
					FINISH	SEE TABLE	
⚠	사양변경(이전)시 각기 재확인(LOCK# 32)	LSY		01.09.11	WIRE RANGE		CLASS
⚠	고리 요점에 의한 PANEL LOCK 보장	SW		98.1.14	INSULATION		TYPE
LTR	REVISION RECORD	DR	CHK	APP	DATE	ISSUANCE REVISED BY NOTES	SCALE
DR	WON '96.02.26	CHK			2/27	SEE TABLE	1/1
CHK		APP	CHK	APP	DATE	PART NO.	MG641016
						PART NAME	DOOR 32P REC. HOUSING ASS'Y