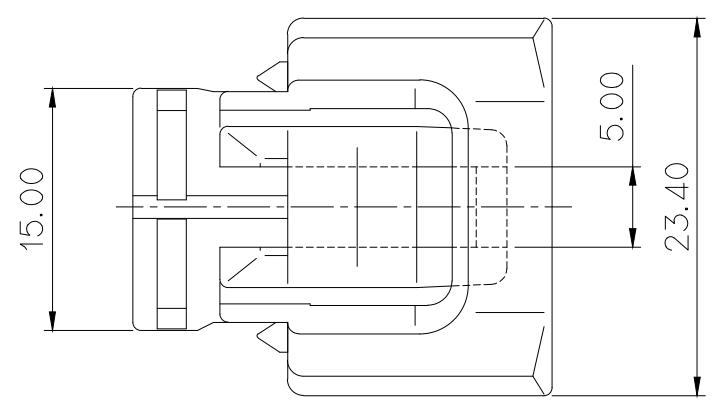


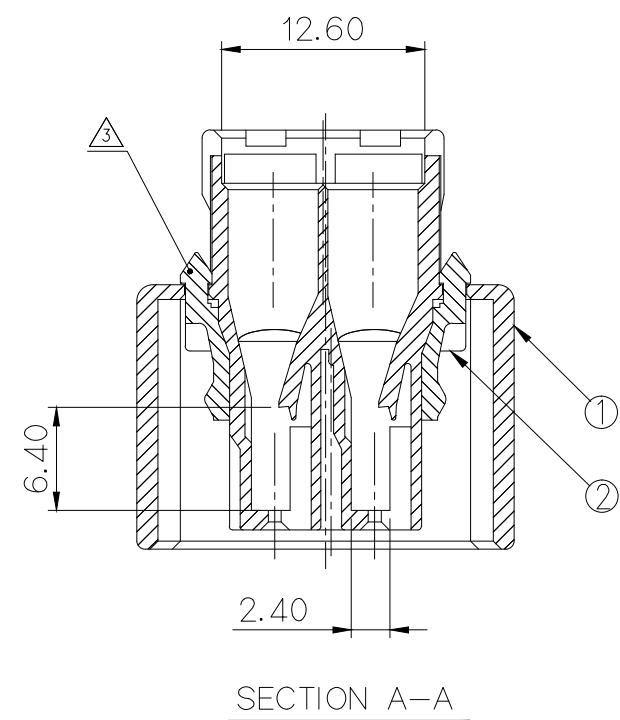
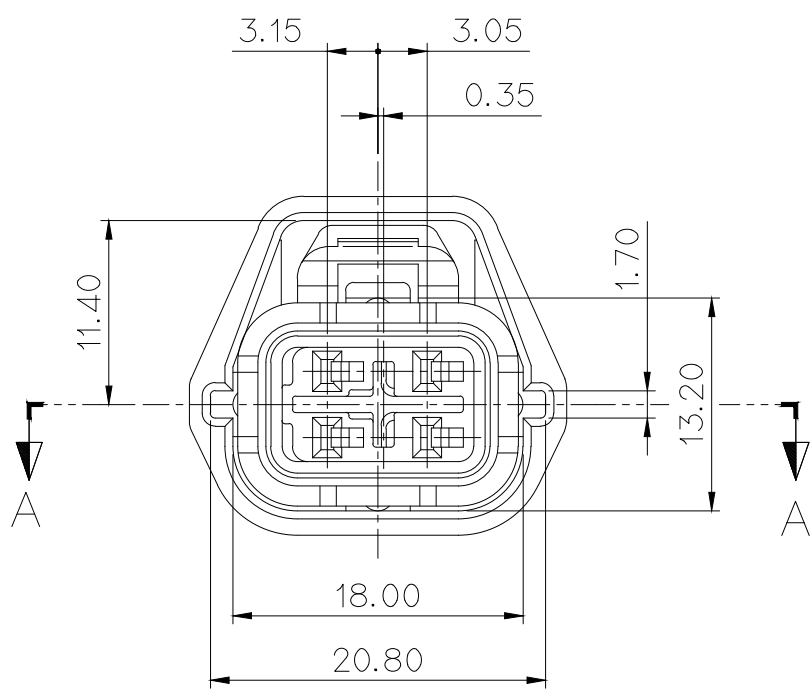
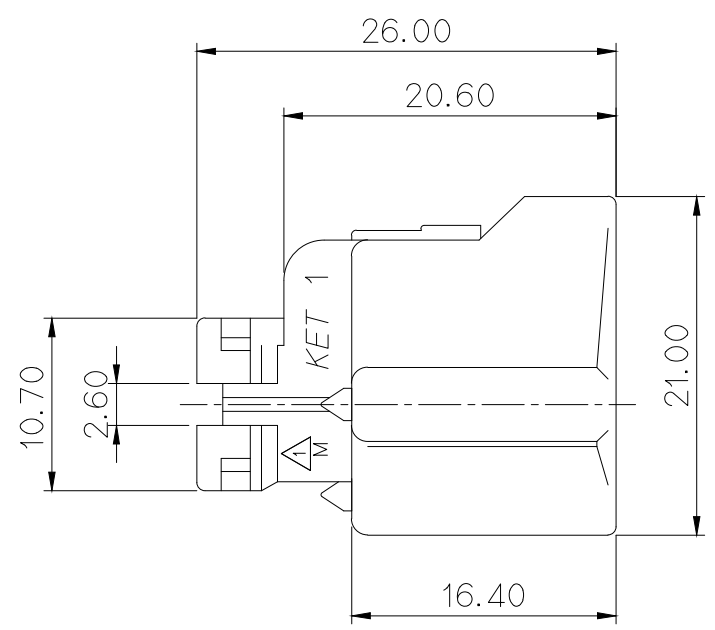
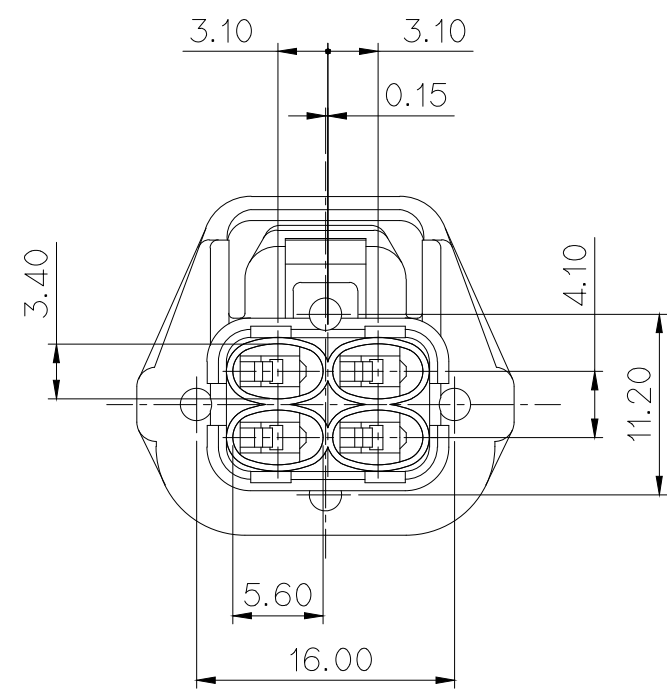
NO.	MATERIAL	COLOR
0	△P B T	NATURAL
1		RED
2		BLUE
20		JADE
3		YELLOW
4		GRAY
40		DARK GRAY
41		LIGHT GRAY
* 5		BLACK
6		DARK GREEN
7		BROWN
8	LIGHT GREEN	
9	MAGENTA	
11	ORANGE	



GENERAL TOLERANCE (HOUSING)							USED ON
10 MAX	50 MAX	100 MAX	250 MAX	250 VR	ANGLE	ECCENT	
±0.2	±0.3	±0.55	±0.95	±1.4	±30'	0.1	

- 주 기**
- 제품 기능상 유해한 BURR, 변형 및 WELDLINE 등이 없을 것.
 - 적용 HOUSING : MG611236
 - 적용 TERMINAL : ST730622, ST731188, ST731316△
 - 적용 REAR HOLDER : MG631237
 - △5. 제품내 함유된 6대 유해물질(납, 수은, 카드뮴, 6가 크롬, PBBs, PBDEs)은 EU ELV 지침 및 RoHS 법규에서 지정한 최대 허용 농도를 초과해서는 안된다.

- NOTE**
- MUST BE FREE OF FLASH, SINK AND IMPERFECTION THAT AFFECT FUNCTION.
 - APPLICABLE HOUSING : MG611236
 - APPLICABLE TERMINAL : △ST730622, ST731188, ST731316△
 - APPLICABLE REAR HOLDER : MG631237
 - △5. 6 HAZARDOUS SUBSTANCES IN PARTS (LEAD, MERCURY, CADMIUM, HEXAVALENT CHROMIUM, PBBs, PBDEs) SHALL NOT EXCEED THE MAXIMUM PERMISSIBLE CONCENTRATION PRESCRIBED UNDER EU ELV DIRECTIVE & RoHS REGULATION.



NO	PART NO	PART NAME	MATERIAL	FINISH
①	MG671235	.050WP 4P REC.HS'G	SEE TABLE	SEE TABLE
②	P900589	.050WP 4P INNER SEAL	SILICON	RED

APPROVED

2020-12-10

**KOREA ELECTRIC
TERMINAL CO., LTD.
Korea Electric Te
rminal Co., LTD.**

ISSUE MARK

△4	ECO-1901-029 근거 도면 재작성	SDI	KSC	CJH	'20.08.26	MATERIAL	SEE TABLE	KET KOREA ELECTRIC ENGINEERED TERMINAL CO., LTD.			
△3	ECO-1901-029 근거 도면 재작성 (I/Seal 돌기 외경 중대)	STJ	HYJ	CJH	'18.01.05	FINISH	SEE TABLE				
△2	ECO-1606-043 근거 도면 재작성	JCM	SSH	SUK	'16.06.13	WIRE RANGE		CLASS			
△1	설계사양변경(S060043)근거 도면 재작성 (원재료 변경 및 'M'마크 표기)	KBS		KKJ	'06.02.24	INSULATION		TYPE			
LTR	REVISION RECORD	DR.	CHK.	APP.	DATE	TOLERANCE EXCEPT AS NOTED	SEE TABLE	SCALE	2/1	PART NO.	MG641238
DR.	JANG	97.12.03	CHK.	M	97.12.04	PART NAME	△ SSD 4F ASSY				
CHK.	S. w k e r	97.12.04	APP.	W. s t u b	97.12.05						