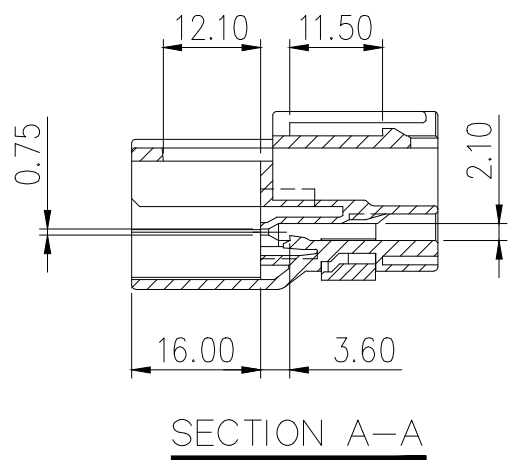
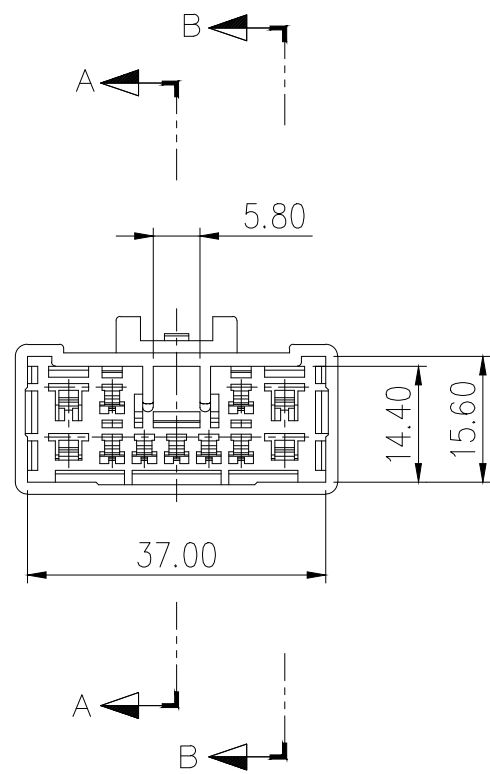
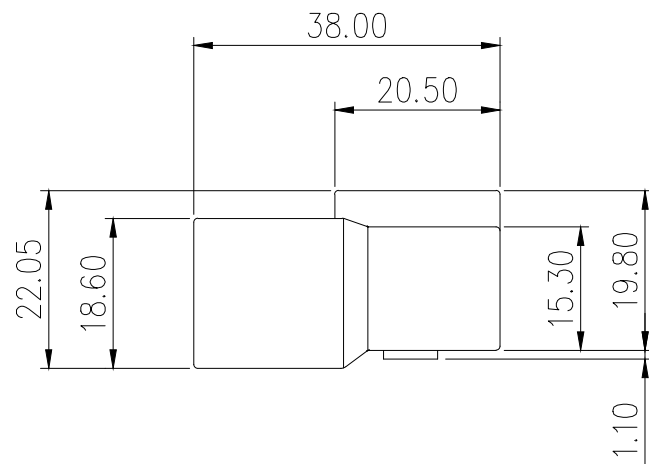
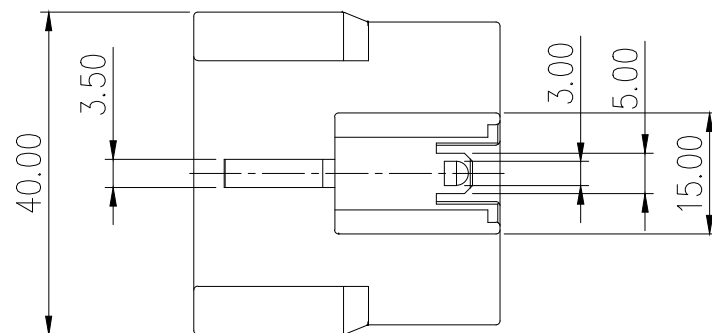


GENERAL TOLERANCE (HOUSING)							USED ON
1MAX	5MAX	10MAX	20MAX	45MAX	ANGLE	ECCENT	
±0.10	±0.15	±0.20	±0.25	±0.30	±30'	0.10	

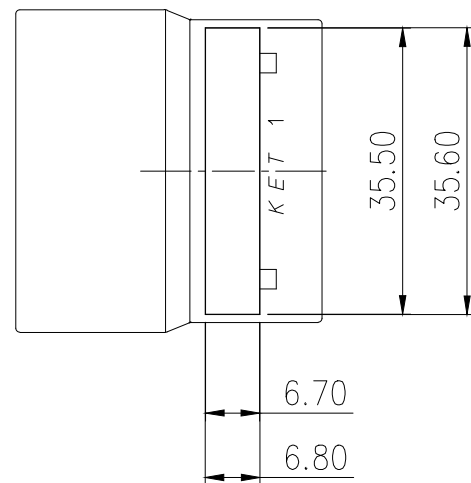
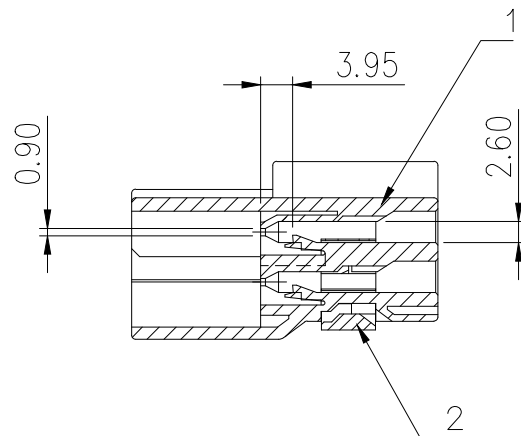
NO.	PART NO.	PART NAME	MATERIAL	FINISH
1	MG671526	1809 11P REC. HOUSING	PBT	NATURAL
2	MG671527	1809 11P REC. SPACER	PBT	YELLOW



SECTION A-A

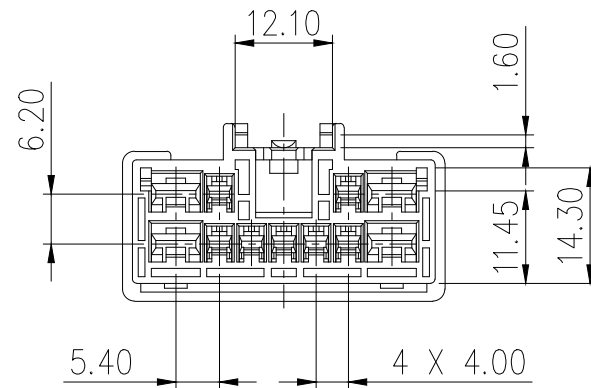


SECTION B-B



NOTE

- MUST BE FREE OF FLASH, SINK AND IMPERFECTION THAT AFFECT FUNCTION.
- APPLICABLE CONN'T. : ST740631, 632, 633(.187)  
APPLICABLE TERMINAL. : ST740672, 673, 674(.090)
- CONN'T ASSY INSERTION FORCE : MAX 12kgf
- 6 HAZARDOUS SUBSTANCES IN PARTS (LEAD, MERCURY, CADMIUM, HEXAVALENT CHROMIUM, PBDEs) SHALL NOT EXCEED THE MAXIMUM PERMISSIBLE CONCENTRATION PRESCRIBED UNDER EU ELV DIRECTIVE & RoHS REGULATION.



NO.	METERIAL	COLOR
* 0	P B T:	NATURAL
1		RED
* 2		BLUE
3		YELLOW
4		GRAY
5		BLACK
6		W/GREEN
7		BROWN
8	GREEN	

주 기

- 기능상 유해한 BURR 및 WELDLINE 등이 없을것.
- 적용 CONN'T: MG651525  
적용 TERMINAL: ST740672, 673, 674(.090)  
ST740631, 632, 633(.187)
- CONNECTOR 삽입력 & 발거력: 12.0Kg이하
- 제품내 함유된 6대 유해물질 (납, 수은, 카드뮴, 6가 크롬, PBBs, PBDEs)은 EU ELV 지침 및 RoHS 법규에서 지정한 최대 허용 농도를 초과해서는 안된다.

APPROVED

2018-12-07

KOREA ELECTRIC  
TERMINAL CO., LTD.  
Korea Electric Te  
rminial Co., LTD.

ISSUE MARK

				MATERIAL	SEE TABLE		KOREA ELECTRIC TERMINAL CO., LTD.
				FINISH	SEE TABLE		
				WIRE RANGE		CLASS	
				INSULATION		TYPE	
LTR	REVISION RECORD	DR.	DATE	TOLERANCE EXCEPT AS NOTED	SEE TABLE	SCALE	PART NO. MG641528
DR.	WON. '97.12.09	CHK. KKJ <sub>1/10</sub>	JJH <sub>1/10</sub>	PART NAME		2/1	
CHK.	JANG 1/10	APP. Watanabe <sub>1/10</sub>					1809 11P REC. HOUSING ASS'Y