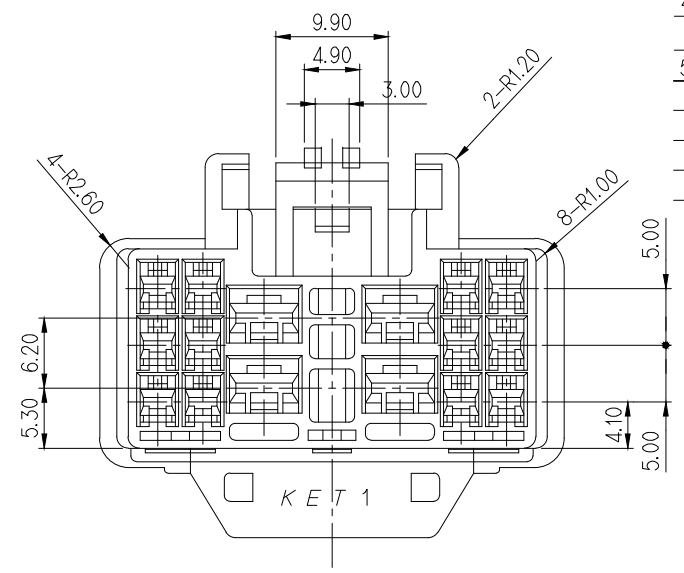
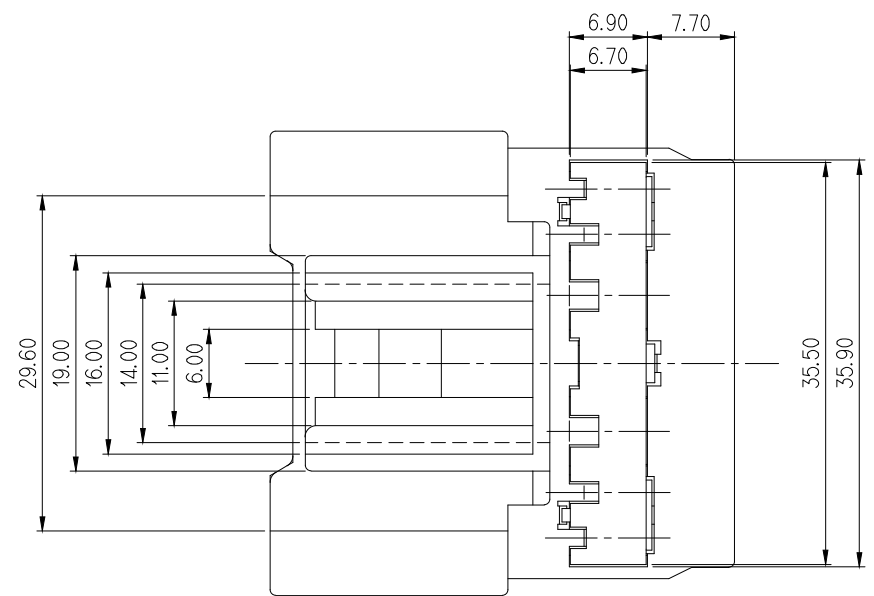
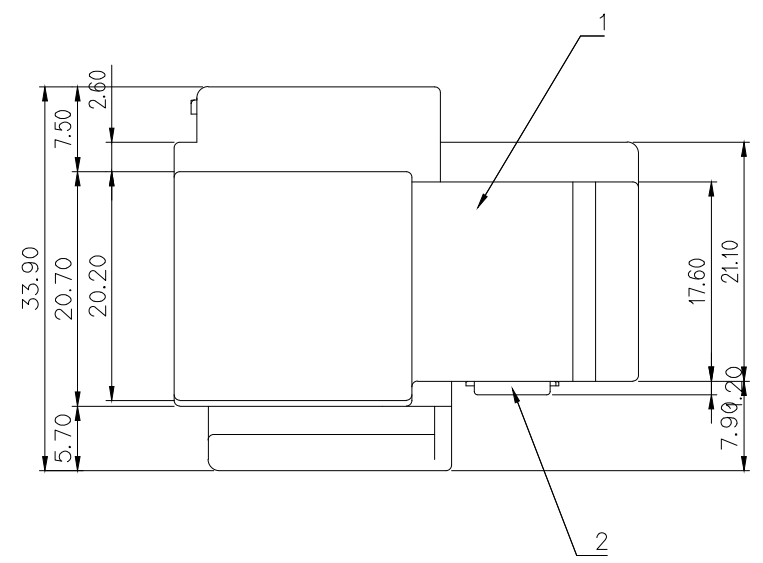
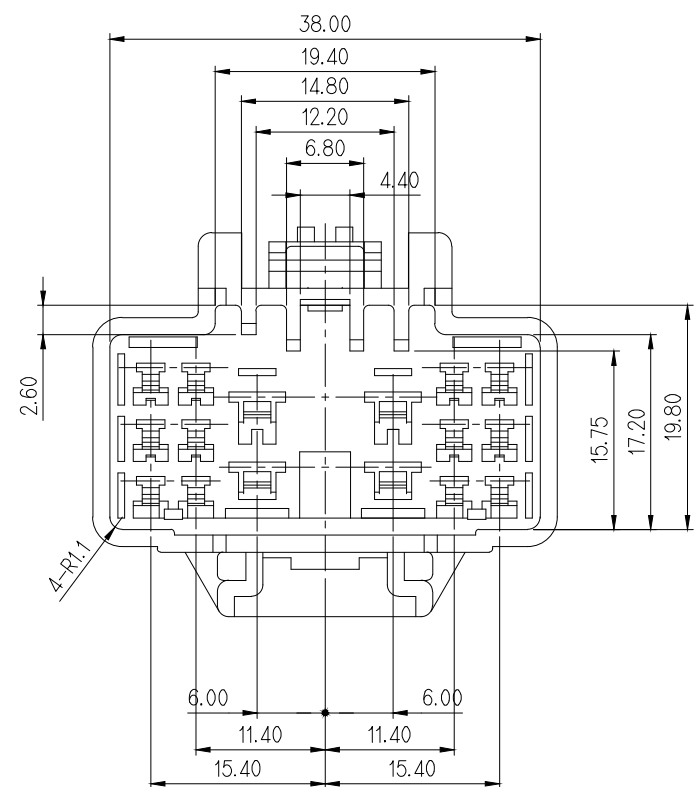
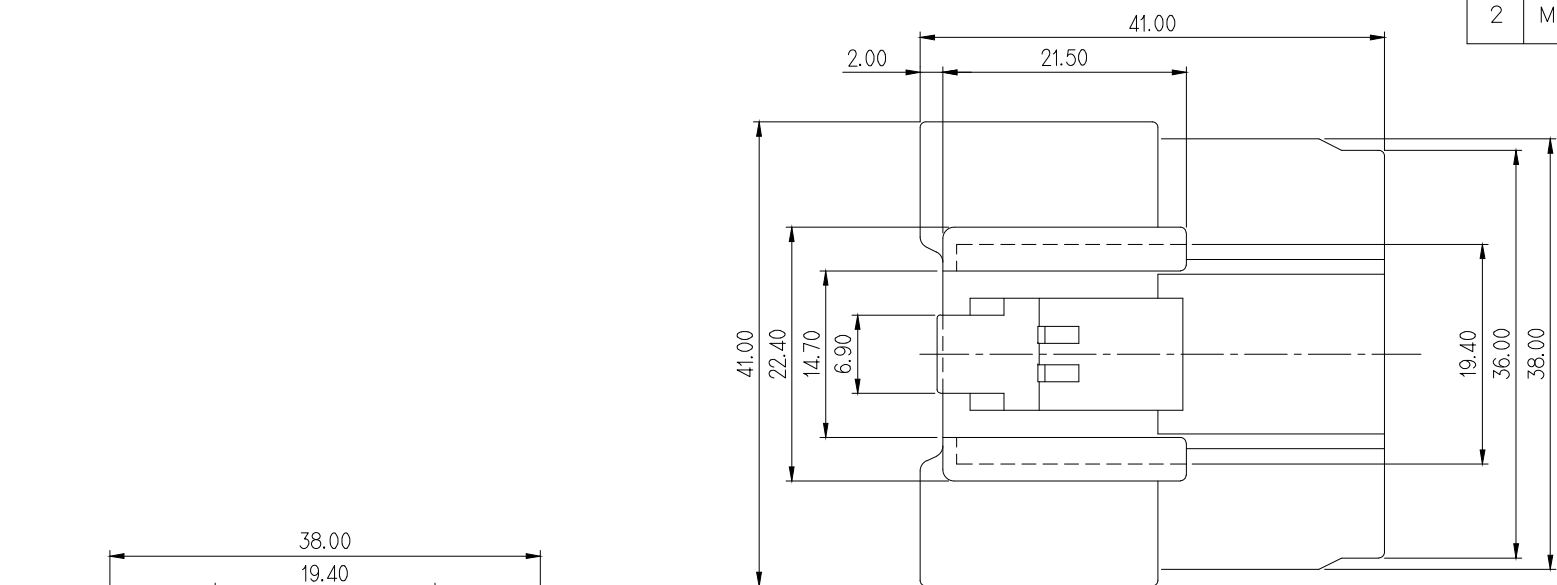


GENERAL TOLERANCE (HOUSING)					USED ON
10MAX	20MAX	45MAX	ANGLE	ECCENT	
±0.2	±0.25	±0.3	±30'	0.1	

NO.	PART NO.	PART NAME	MATERIAL	FINISH
1	MG671880	1809 16P REC. HS'G (R)	PBT	YELLOW
2	MG671005	1809 16P REC. SPACER		NATURAL



주 기

- 제품기능상 유해한 BURR, 변형 및 WELDLINE 등이 없을것.
- 적용 TERMINAL: ST740631,632,633 (.187 II TYPE : 4 EA)
ST740672,673,674 (.090 II TYPE : 12 EA)
- 적용 HOUSING: MG651882
- SPACER는 본 도면과 같이 1차 LOCK'G 상태로 유지,공급할것.
- 제품내 함유된 6대 유해물질 (납, 수은, 카드뮴, 6가 크롬, PBBs, PBDEs)은 EU ELV 지침 및 RoHS 법규에서 지정한 최대 허용 농도를 초과해서는 안된다.

NOTE

- MUST BE FREE OF FLASH, SINK AND IMPERFECTION THAT AFFECT FUNCTION.
- APPLICABLE TERMINAL :
ST740631,632,633 (.187 II TYPE : 4EA)
ST740672,673,674 (.090 II TYPE : 12 EA)
- APPLICABLE HOUSING : MGA651882
- SPACER MUST BE KEEP AND SUPPLY FIRST LOCKING CONDITION AS THIS DRAWING
- 6 HAZARDOUS SUBSTANCES IN PARTS (LEAD, MERCURY, CADMIUM, HEXAVALENT CHROMIUM, PBDEs) SHALL NOT EXCEED THE MAXIMUM PERMISSIBLE CONCENTRATION PRESCRIBED UNDER EU ELV DIRECTIVE.

APPROVED
2017-08-10
KOREA ELECTRIC
TERMINAL CO., LTD.
Korea Electric Terminal Co., LTD.

ISSUE MARK

						MATERIAL		SEE TABLE	KIET KOREA ELECTRIC ENGINEERED TERMINAL CO., LTD.
						FINISH		SEE TABLE	
						WIRE RANGE		CLASS	
						INSULATION		TYPE	
LTR	REVISION RECORD	DR.	CHK.	APP.	DATE	TOLERANCE EXCEPT AS NOTED		SCALE	PART NO.
						SEE TABLE		2/1	MG641884
						PART NAME		1809 16P REC. HS'G ASS'Y (R)	