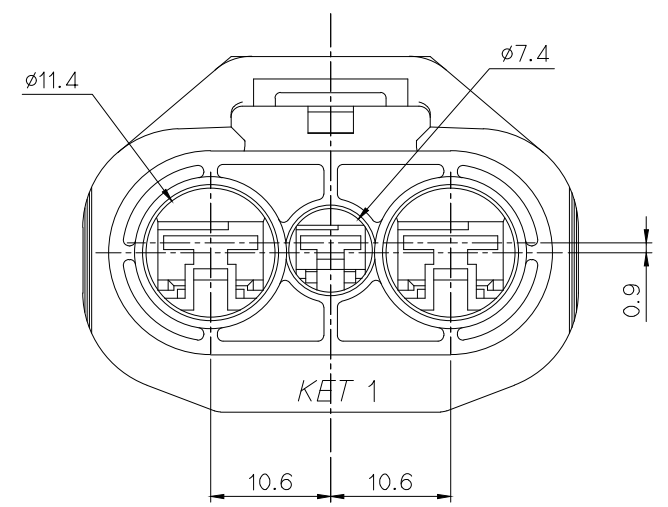
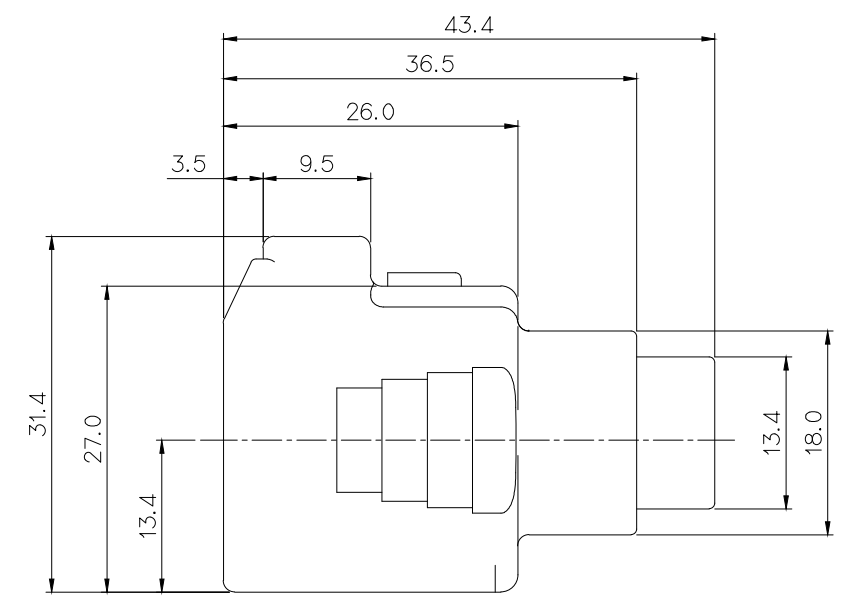
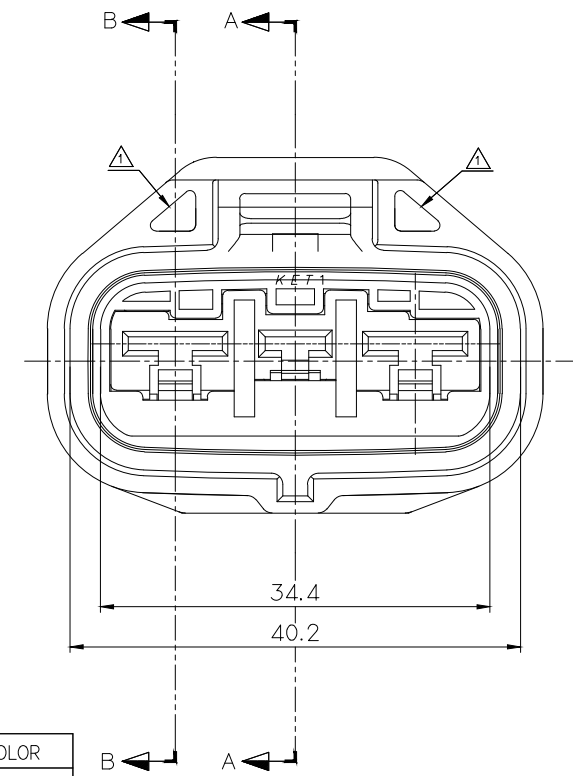
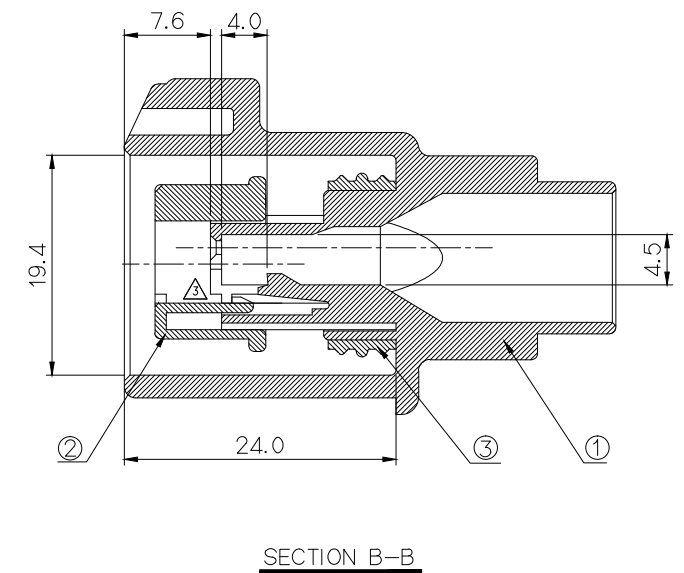
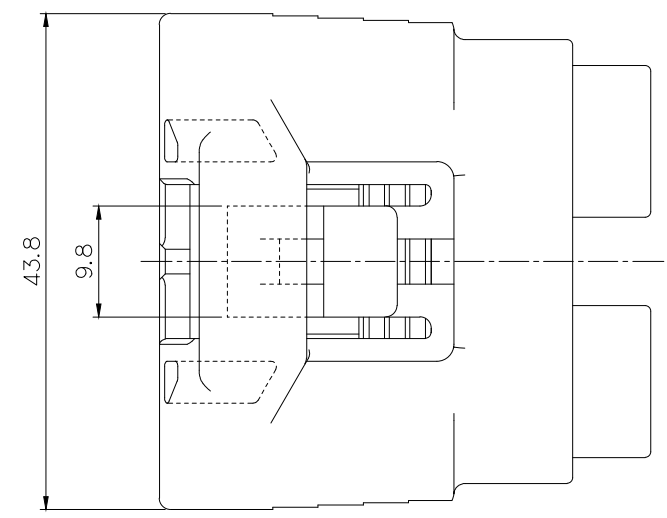
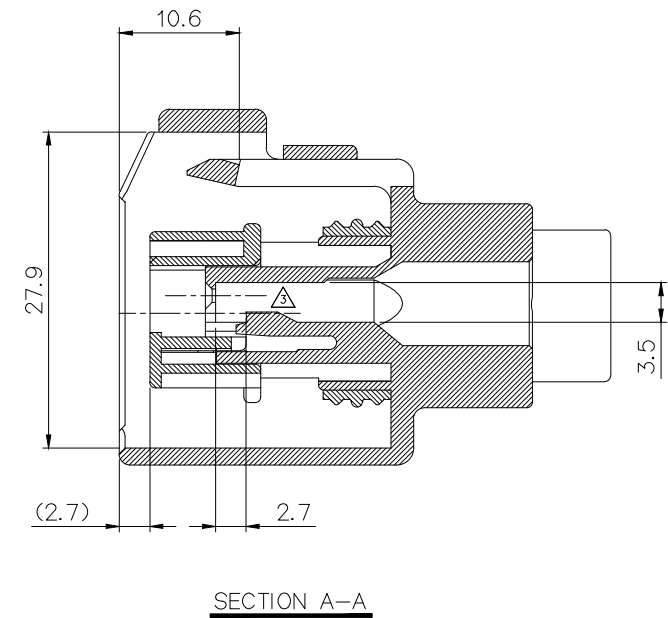


GENERAL TOLERANCE (HOUSING)							USED ON
10MAX	50MAX	100MAX	250MAX	250VR	ANGLE	ECCENT	
±0.2	±0.3	±0.55	±0.95	±1.4	±30'	0.1	



NO.	MATERIAL	COLOR
0	P B T	NATURAL
1		RED
2		BLUE
20		JADE
3		YELLOW
* 4		GRAY
* 40		DARK GRAY
* 41		LIGHT GRAY
* 5		BLACK
6		DARK GREEN
7		BROWN
8	LIGHT GREEN	
9	MAGENTA	
11	ORANGE	

	PART NAME	PART NO.	MATERIAL	COLOR
①	FEMALE HS'G	MG672926	SEE TABLE	△SEE TABLE
②	FRONT HOLDER	MG672927	PBT	NATURAL
③	INNER SEAL	P901714	RUBBER	RED

**NOTE**

- MUST BE FREE OF FLASH, SINK AND IMPERFECTION THAT AFFECT FUNCTION.
- APPLICABLE TERMINAL 312 II : ST730650-3, ST730651-3, ST730652-3  
△ST730936-3, ST730893-3  
187 II : ST730715-3, ST730716-3, ST730717-3
- 6 HAZARDOUS SUBSTANCES IN PARTS (LEAD, MERCURY, CADMIUM, HEXAVALENT CHROMIUM, PBBs, PBDEs) SHALL NOT EXCEED THE MAXIMUM PERMISSIBLE CONCENTRATION PRESCRIBED UNDER EU ELV DIRECTIVE & RoHS REGULATION.

**주 기**

- 기능상 유해한 BURR, 변형등이 없을 것.
- 적용 TERMINAL 312 II : ST730650-3, ST730651-3, ST730652-3  
△ST730936-3, ST730893-3  
187 II : ST730715-3, ST730716-3, ST730717-3
- 제품내 함유된 6대 유해물질 (납, 수은, 카드뮴, 6가크롬, PBBs, PBDEs)은 EU ELV 지침 및 RoHS 법규에서 지정한 최대 허용 농도를 초과해서는 안된다.



ISSUE MARK

LTR	REVISION RECORD	DR.	CHK.	APP.	DATE	TOLERANCE EXCEPT AS NOTED	SCALE	PART NAME
DR.	SUNG.	04.02.24	CHK.			SEE TABLE	2/1	3118 WP 3F ASSEMBLY
CHK.	KKJ		APP.	KCH				

MATERIAL	SEE TABLE	FINISH	SEE TABLE	WIRE RANGE	CLASS 3118 WP	INSULATION	TYPE
KOREA ELECTRIC TERMINAL CO., LTD.		KOREA ELECTRIC TERMINAL CO., LTD.		KOREA ELECTRIC TERMINAL Co., LTD.		KOREA ELECTRIC TERMINAL Co., LTD.	