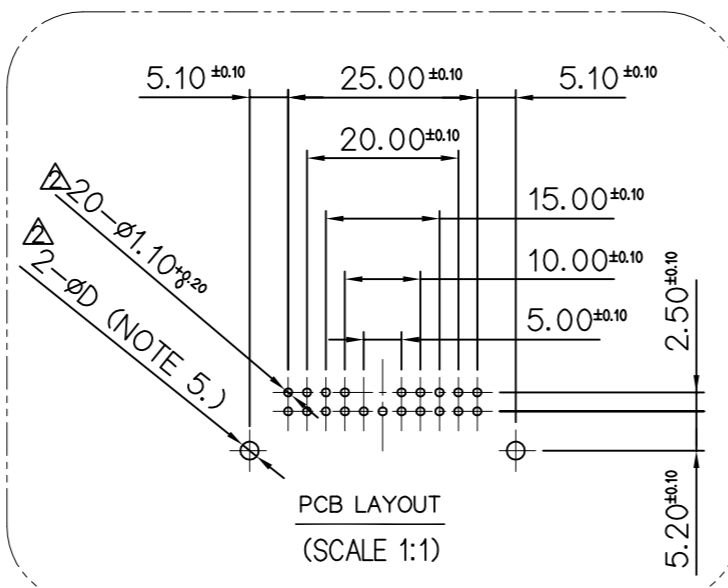
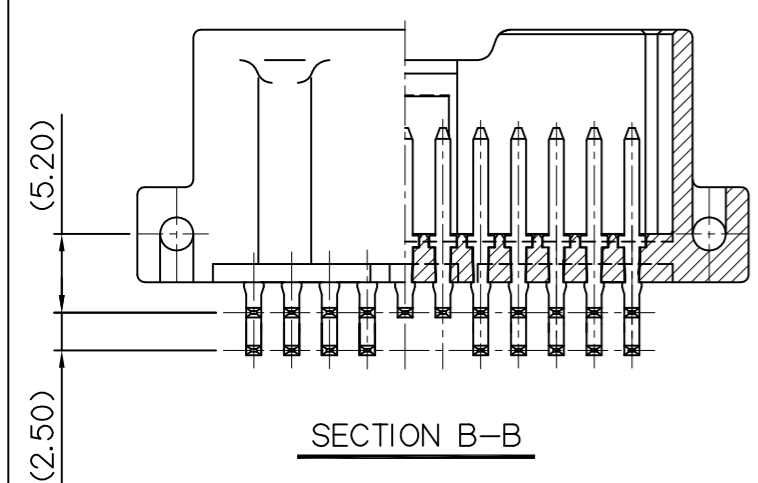
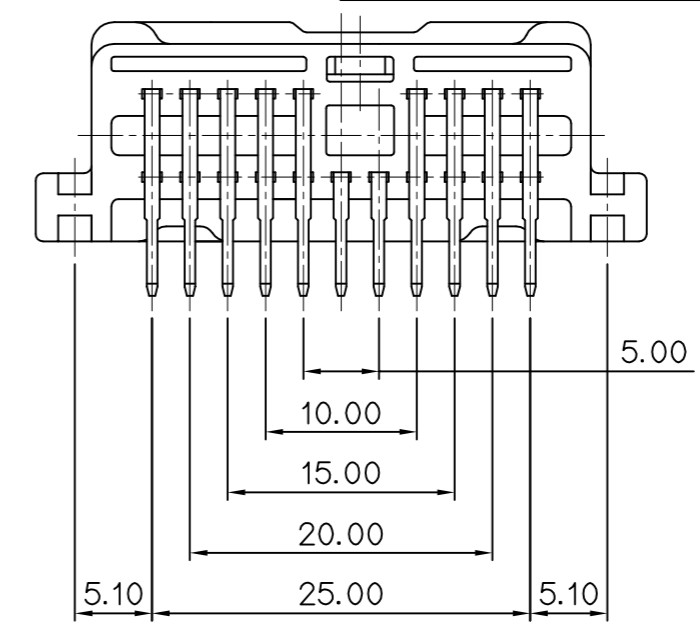
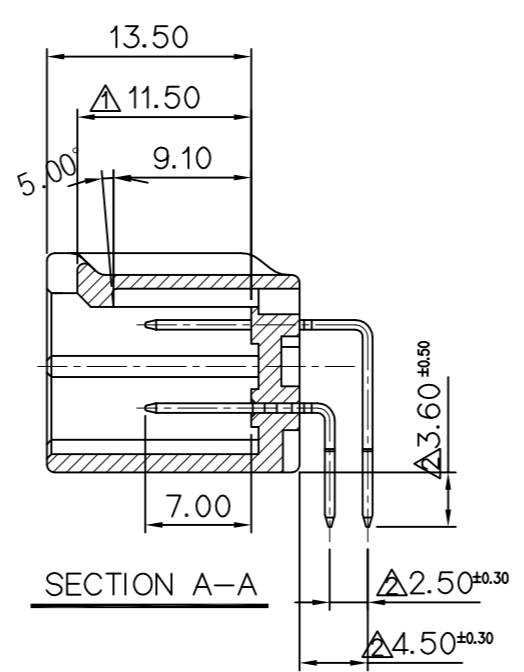
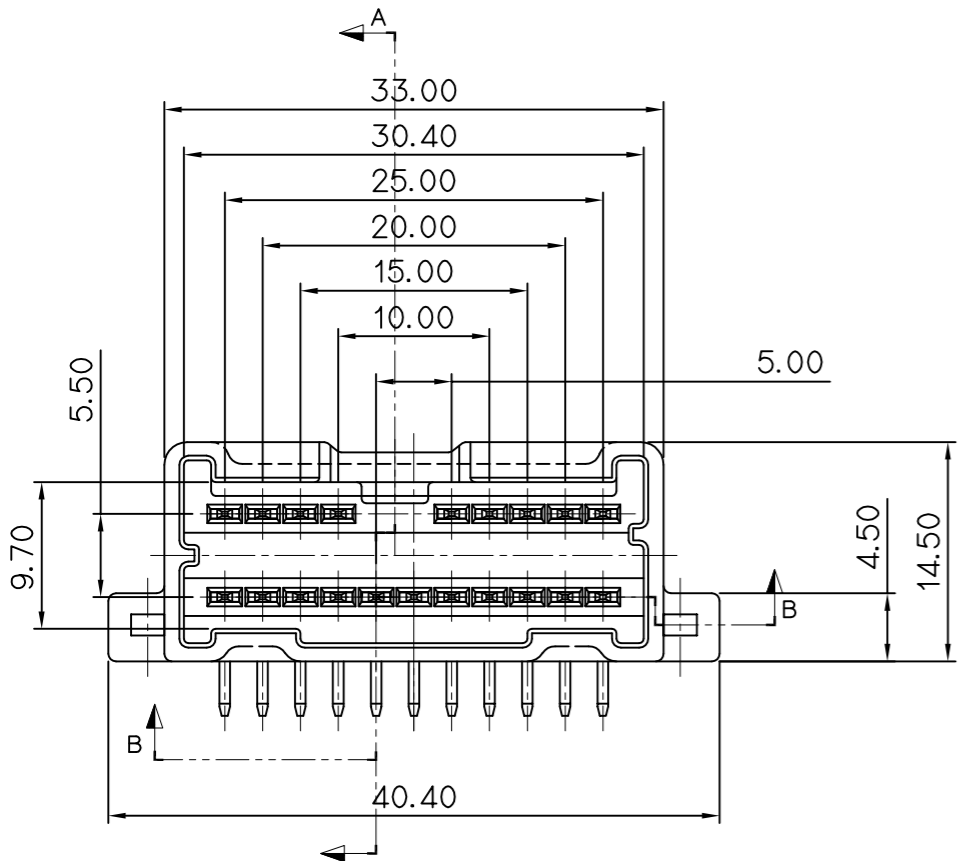
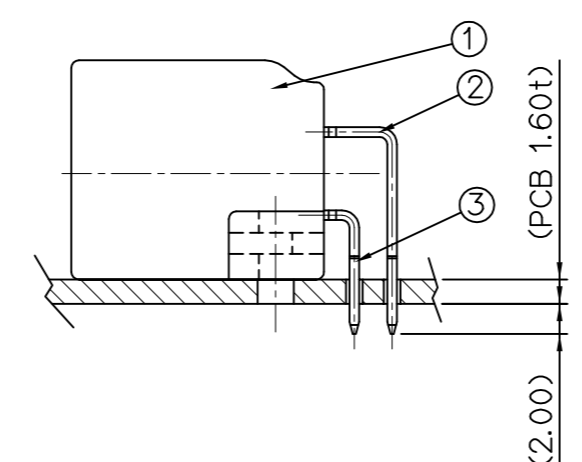
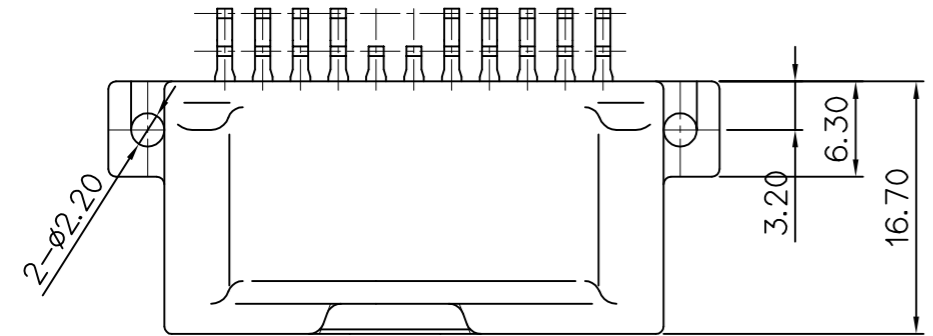


PART NO. MG643039

CUSTOMER DRAWING

GENERAL TOLERANCE (TERMINAL)								GENERAL TOLERANCE (HOUSING)							USED ON
1 MAX	5 MAX	10 MAX	20 MAX	45 MAX	45 VR	ANGLE	ECCENT	10 MAX	50 MAX	100 MAX	250 MAX	250 VR	ANGLE	ECCENT	
±0.1	±0.15	±0.2	±0.25	±0.3	±0.5	±30'	0.1	±0.2	±0.3	±0.55	±0.95	±1.4	±30'	0.1	



NO.	PART NAME	MATERIAL	FINISH	Q'TY
①	040III PCB 20P REC' HS'G (HZZ)	PBT	NATURAL	1EA
②	040III PCB TAB TERMINAL (L)	BRASS	PRE-TIN	9EA
③	040III PCB TAB TERMINAL (S)		PRE-TIN	11EA

- NOTE**
- 지시하지 않은 반경 R은 0.3로 한다
 - 기능상 유해한 BURR등 변형이 없을것.
 - 적용 PLUG HOUSING : MG653026
 - 적용 BOLT : M2.5~M3 일반나사
 - SCREW HOLE 직경 : $\phi D = \text{적용 SCREW} + 0.5$
- NOTE**
- UNLESS OTHERWISE SPECIFIED ALL RADII TO BE 0.5 RADIOUS
 - MUST BE FREE OF FLASH, SINK AND IMPERFECTION THAT AFFECT FUNCTION.
 - MATING PLUG HOUSING : MG653026
 - APPLICABLE MOUNTING SCREW : M2.5~M3 SCREW
 - SCREW HOLE DIAMETER : $\phi D = \text{APPLICABLE MOUNTING SCREW} + 0.5$



ISSUE MARK

		MATERIAL	SEE TABLE	KET KOREA ELECTRIC ENGINEERED TERMINAL CO., LTD.
		FINISH	SEE TABLE	
BENDING부 관리공차 수정		SHIN	KO	WIRE RANGE
이탈성능개선		SHIN	KO	CLASS 040III
REVISION RECORD		DR.	CHK.	INSULATION
DR. SHIN '03.06.10.		CHK. KO.	6/10	TYPE
CHK. --- 6/12		APP. CHESH	6/13	TOLERANCE EXCEPT AS NOTED
		SCALE 2/1		PART NO. MG643039
		PART NAME		040III PCB 20P CONN'T ASS'Y (HZZ)

DIMENSIONS IN (MM)