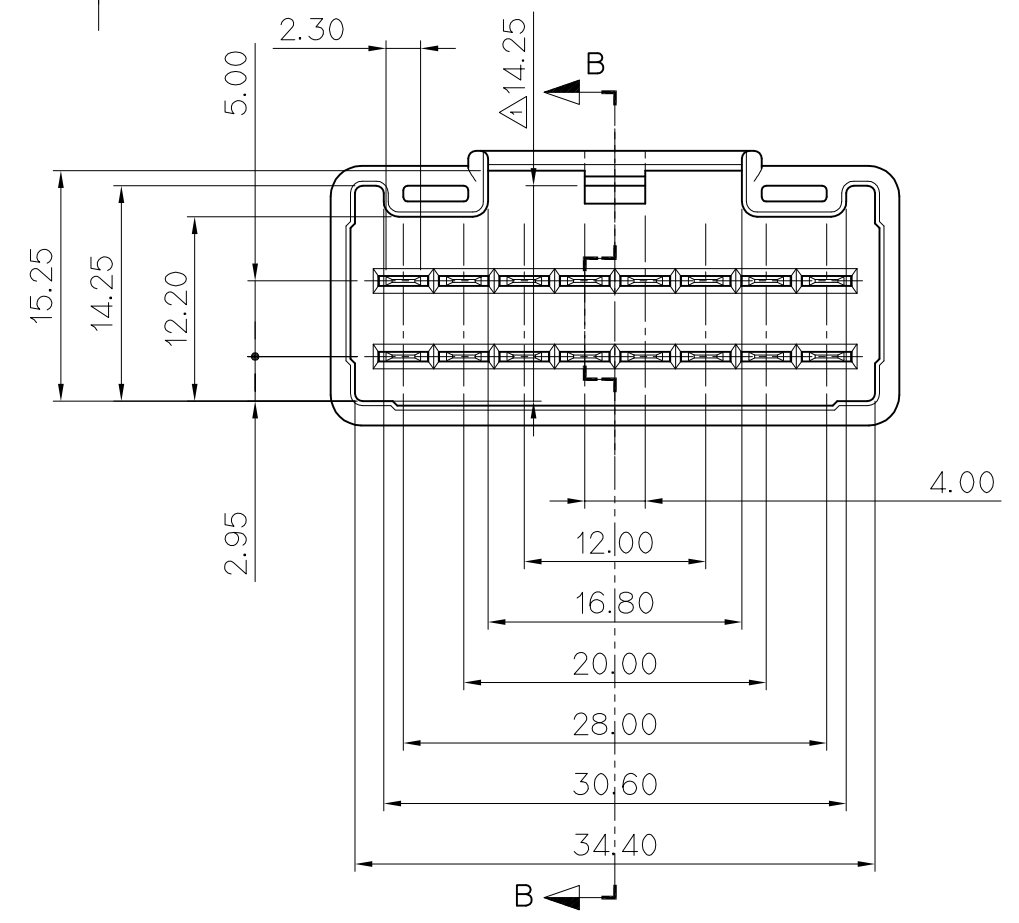
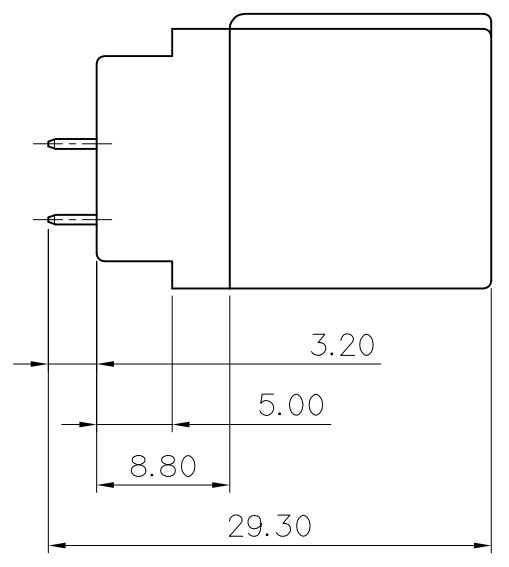
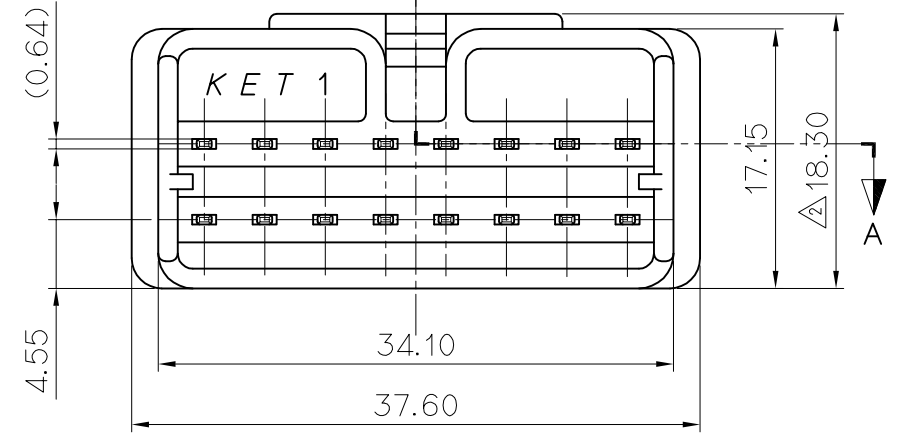
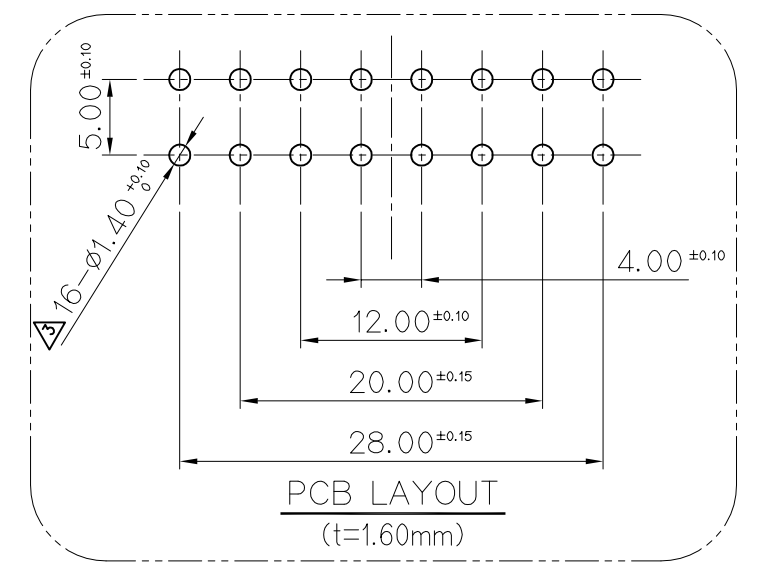
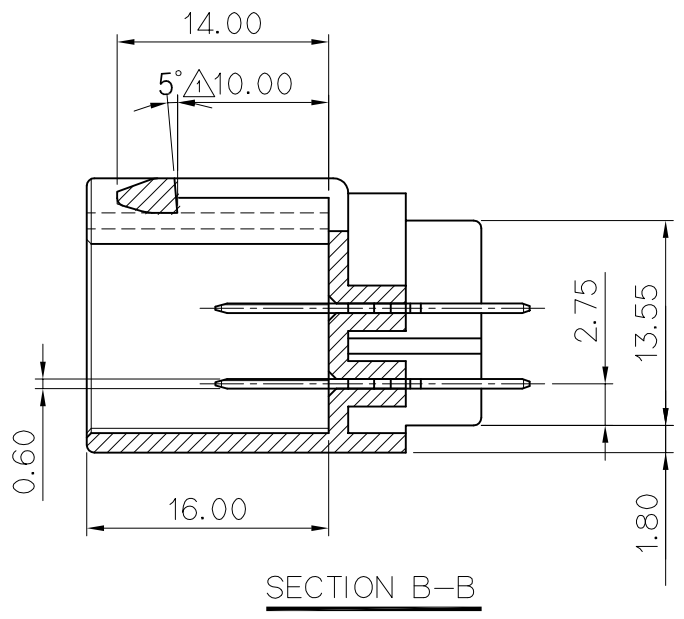
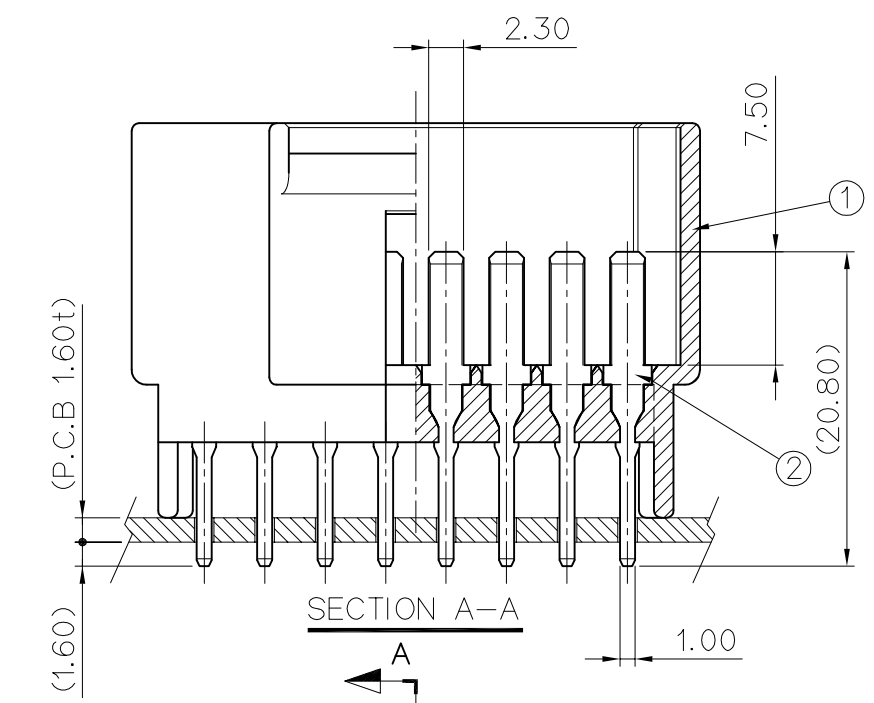


GENERAL TOLERANCE (TERMINAL)					GENERAL TOLERANCE (HOUSING)							USED ON
10MAX	20MAX	45MAX	ANGLE	ECCENT	10MAX	50MAX	100MAX	250MAX	250VR	ANGLE	ECCENT	
±0.2	±0.25	±0.3	±30'	0.1	±0.2	±0.3	±0.55	±0.95	±1.4	±30'	0.1	



NO.	PART NAME	PART NO.	ASSEMBLY
1	ASC-II 16M PCB ASS'Y (VRT)	MG643200	(1) + (2)
2		MG643200T	(1) + (3)

NO.	PART NAME	MATERIAL	FINISH	Q'TY
(1)	ASC-II PCB 16P REC' HS'G (VRT)	PBT	NATURAL	1 EA
(2)	090II PCB TAB TERMINAL (VRT)	BRASS	PRE-TIN	16 EA
(3)	090II PCB TAB TERMINAL (VRT)	BRASS	UNPLATE TIN	16 EA

NOTE

- UNLESS OTHERWISE SPECIFIED ALL RADII TO BE 0.3 RADIOUS
- MUST BE FREE OF FLASH, SINK AND IMPERFECTION THAT AFFECT FUNCTION.
- MATING PLUG HOUSING : MG653198
- 6 HAZARDOUS SUBSTANCES IN PARTS (LEAD, MERCURY, CADMIUM, PBBs, PBDEs, HEXAVALENT CHROMIUM) SHALL NOT EXCEED THE MAXIMUM PERMISSIBLE CONCENTRATION PRESCRIBED UNDER EU ELV DIRECTIVE & RoHS REGULATION.

NOTE

- 지시하지 않은 반경 R은 0.3로 한다
- 기능상 유해한 BURR 등 변형이 없을것.
- 적용 PLUG HOUSING : MG653198
- 제품내 함유된 6대 유해물질 (납, 수은, 카드뮴, 6가크롬, PBBs, PBDEs)은 EU ELV 지침 및 RoHS 법규에서 지정한 최대허용농도를 초과해서는 안된다.

ISSUE MARK

		MATERIAL	SEE TABLE		KOREA ELECTRIC TERMINAL CO., LTD.
		FINISH	SEE TABLE		
(3)	설/변(ECO-1105-313)오기수정	LSY	'11.04.29	WIRE RANGE	CLASS ASC-II
(2)	설/변(S100195)큰거	CYJ	'10.07.28	INSULATION	TYPE .090
(1)	LOCK 해제성 개선	SHIN	04.10.24	PART NO.	Δ MG643200/3200T
LTR	REVISION RECORD	DR.	CHK.	APP.	DATE
DR.	SHIN '04.02.11.	CHK.			2/11
CHK.		APP.			2/11
		TOLERANCE EXCEPT AS NOTED	SCALE 2/1	PART NAME	
				ASC-II PCB 16P CONN'T ASS'Y (VRT)	