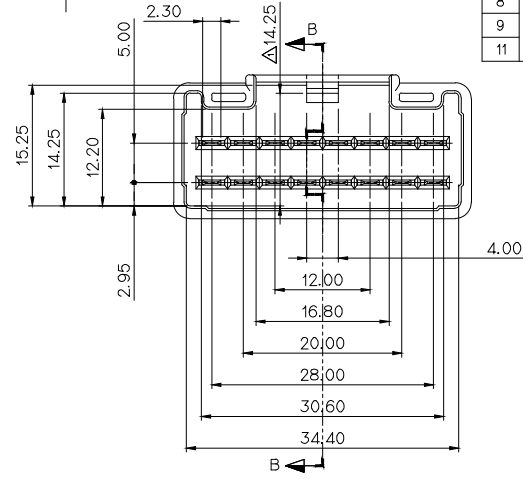
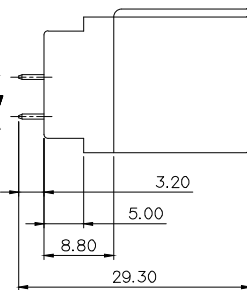
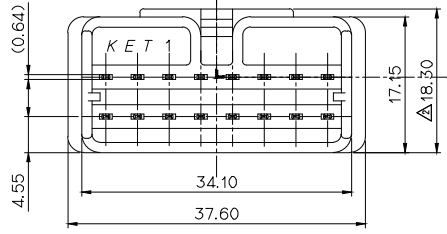
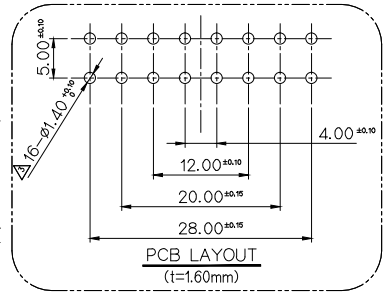
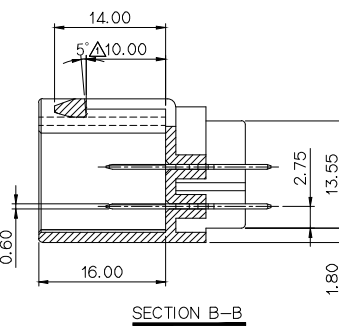
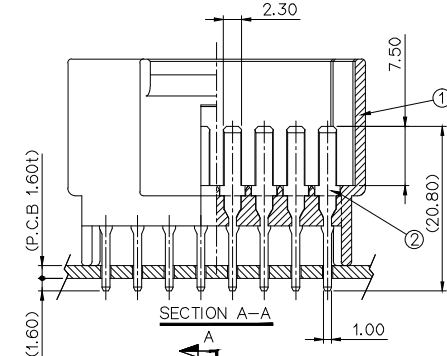


GENERAL TOLERANCE (TERMINAL)					GENERAL TOLERANCE (HOUSING)						USED ON	
10MAX	20MAX	45MAX	ANGLE	ECCENT	10MAX	50MAX	100MAX	250MAX	250VR	ANGLE	ECCENT	
±0.2	±0.25	±0.3	±30'	0.1	±0.2	±0.3	±0.55	±0.95	±1.4	±30'	0.1	



NO.	MATERIAL	COLOR
0	PBT	NATURAL
1		RED
2		BLUE
20		JADE
3		YELLOW
4		GRAY
40		DARK GRAY
41		LIGHT GRAY
5		BLACK
6		DARK GREEN
7		BROWN
8		LIGHT GREEN
9		MAGENTA
11		ORANGE

NO.	PART NAME	PART NO.	ASSEMBLY
1	ASC-II 16M PCB ASS'Y (VRT)	MG643200	① + ②
2		MG643200T	① + ③

NO.	PART NAME	PART NO.	MATERIAL	FINISH	Q'TY
①	ASC-II PCB 16P REC' HS'G (VRT)	MG673199	SEE TABLE	SEE TABLE	1 EA
②	090II PCB TAB TERMINAL (VRT)	ST790215-3	BRASS	PRE-TIN	16 EA
③	090II PCB TAB TERMINAL (VRT)	ST792347-2	BRASS	UNPLATE TIN	16 EA

NOTE

1. UNLESS OTHERWISE SPECIFIED ALL RADII TO BE 0.3 RADIOUS

2. MUST BE FREE OF FLASH, SINK AND IMPERFECTION THAT AFFECT FUNCTION.

3. MATING PLUG HOUSING : MG653198

4. 6 HAZARDOUS SUBSTANCES IN PARTS (LEAD, MERCURY, CADMIUM, PBBs, PBDEs, HEXA VALENT CHROMIUM) SHALL NOT EXCEED THE MAXIMUM PERMISSIBLE CONCENTRATION PRESCRIBED UNDER EU ELV DIRECTIVE & RoHS REGULATION.

NOTE

1. 지시하지 않은 변경 R은 0.3로 한다

2. 기능상 유해한 BURR 등 변형이 없을 것.

3. 적용 PLUG HOUSING : MG653198

4. 제철내 함유된 6대 유해물질 (납, 수은, 카드뮴, 6가 크롬, PBBs, PBDEs) 은 EU ELV 지침 및 RoHS 법규에서 지정한 최대 허용 농도를 초과해서는 안 된다.

APPROVED

2018-12-07

KOREA ELECTRIC TERMINAL CO., LTD.
Korea Electric Terminal Co., Ltd.

ISSUE MARK

ECO-1506-175	ECO-1105-313	ECO-100195	LOCK 해제용 개산	REVISION RECORD	DR.	CHK.	APP.	DATE	MATERIAL	SEE TABLE	FINISH	SEE TABLE	WIRE RANGE	CLASS	INSULATION	TYPE	SCALE	SCALE	PART NO.
ECO-1506-175	ECO-1105-313	ECO-100195	LOCK 해제용 개산	DR. SHIN '04.02.11.	CHK. SHIN	APP. SHIN	2/11	15.06.09	SEE TABLE	SEE TABLE	SEE TABLE	SEE TABLE	CLASS	ASC-II	INSULATION	.090	SCALE	2/1	PART NO.
										<p>△ ECO-1506-175 크기 도면 변경</p> <p>△ 실/번(ECO-1105-313) 오기 수정</p> <p>△ 실/번(S100195) 오기</p> <p>△ LOCK 해제용 개산</p>									
										<p>DR. SHIN '04.02.11.</p> <p>CHK. SHIN</p> <p>APP. SHIN</p> <p>DATE 2/11</p> <p>SCALE 2/1</p> <p>PART NAME</p>									
										<p>ASC-II PCB 16P CONN'T ASS'Y (VRT)</p>									