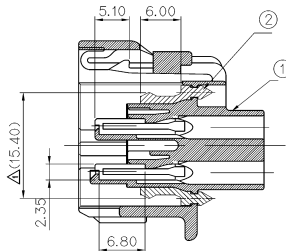
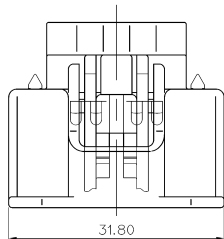
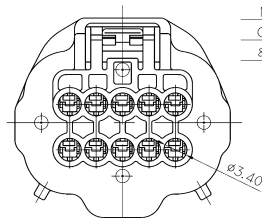
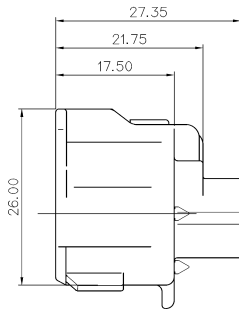
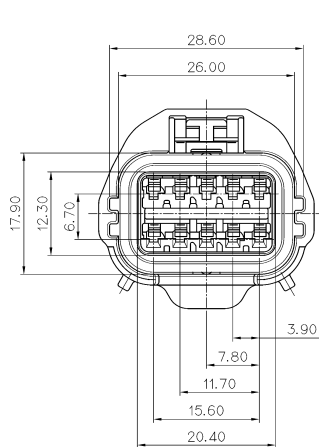


NO.	PART NAME	PART NO.	MATERIAL	REMARK
①	RK 10F HOUSING(RK10FG)	MG673386	SEE TABLE	SEE TABLE
②	RK 10P INNER SEAL	△R602117	SILICONE	RED



SECTION A-A'



GENERAL TOLERANCE (HOUSING)								USED ON
10 MAX	50 MAX	100 MAX	250 MAX	250 VR	ANGLE	ECCENT		
±0.2	±0.3	±0.55	±0.95	±1.4	±30'	0.1		

주 기

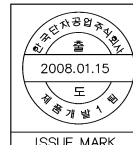
1. 지시없는 R는 전부0.3으로 한다.
2. 기능상 유해한 BURR,변형등이 없을것.
3. 적용 부품 : TERMINAL-ST730924/ST730925
F/HOLDER-MG633387

△4. 제품내 함유된 6대 유해물질 (납,수은,카드뮴,6가크롬, PBBs,PBDEs)은 EU ELV 지침 및 RoHS 법규에서 지정한 최대 허용 농도를 초과해서는 안된다.

NO.	MATERIAL	COLOR
0	P B T	NATURAL
1		RED
2		BLUE
20		JADE
3		YELLOW
* 4		GRAY
40		DARK GRAY
41		LIGHT GRAY
* 5		BLACK
6		DARK GREEN
7		BROWN
* 8	LIGHT GREEN	
9	MAGENTA	
11	ORANGE	

NOTE

1. UNLESS OTHERWISE SPECIFIED ALL RADIUS TO BE 0.3 RADIUS.
2. MUST BE FREE OF BURR,WELDLINE AND IMPERFECTION THAT AFFECT FUNCTION.
3. APPLICABLE PART : TERMINAL-ST730924/ST730925
F/HOLDER-MG633387
- △4. 6 HAZARDOUS SUBSTANCES IN PARTS (LEAD,MERCURY, CADMIUM,HEXAVALENT CHROMIUM,PBBs,PBDEs) SHALL NOT EXCEED THE MAXIMUM PERMISSIBLE CONCENTRATION PRESCRIBED UNDER EU ELV DIRECTIVE & RoHS REGULATION.



		MATERIAL		SEE TABLE	KOREA ELECTRIC TERMINAL CO., LTD.		
		FINISH		SEE TABLE			
		WIRE RANGE			CLASS	91RK (040 WP)	
		INSULATION			TYPE	7183-7972-60	
△ 표시사항(예: 8002120에 해당 부품은 3년 보증 INNER SEAL)		KOU	DEM	08.01.15			
LTR	REVISION RECORD	DR	CHK	APP.	DATE	SCALE	
DR.	KYM. 04. 08. 09	CHK				2/1	
CHK.	08.16	APP.				PART NO.	
						MG643385	
PART NAME						RK 10F HS'G ASSY(RK10FG)	