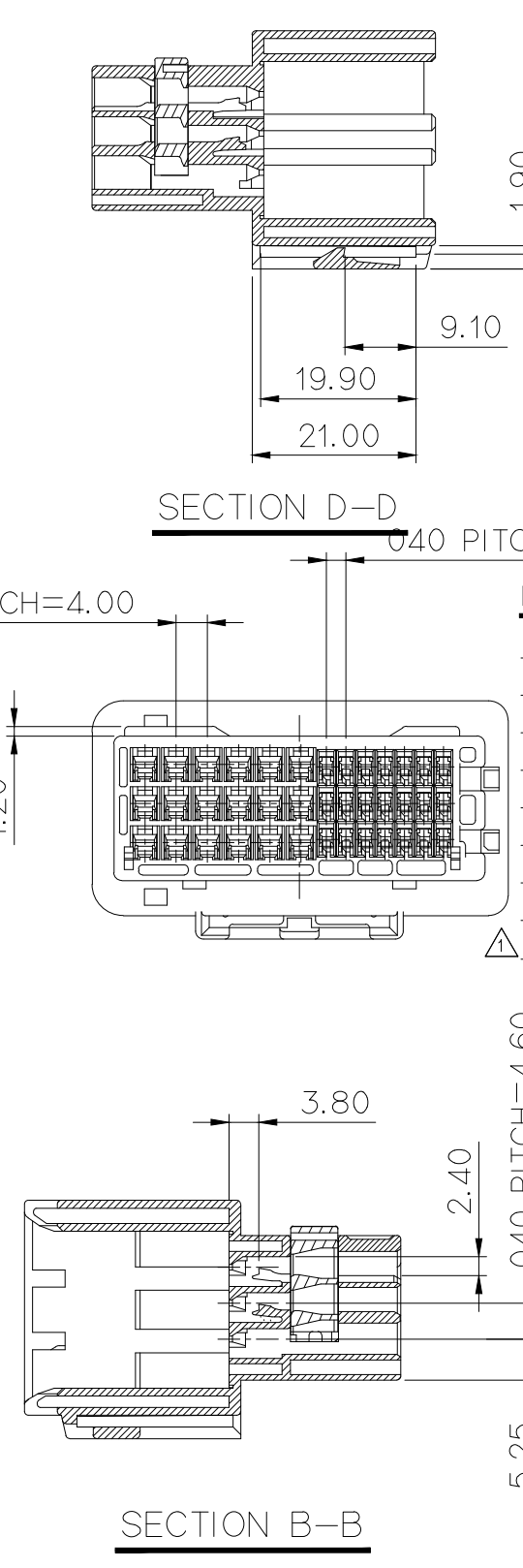
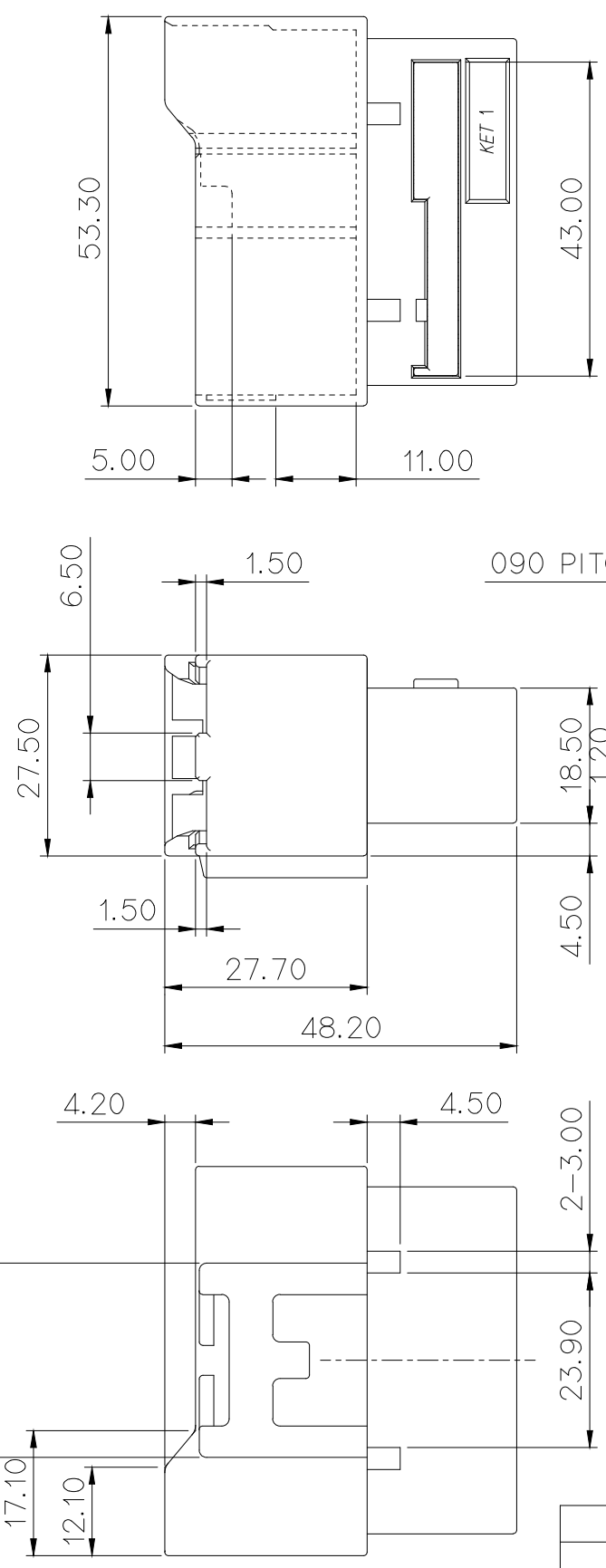


NO.	PART NO.	PART NAME	MATERIAL	FINISH
1	MG673415	LIF 39M HS'G(CLIP TYPE)	PBT	SEE TABLE
2	MG673176	LIF 39P MALE SPACER		GRAY



GENERAL TOLERANCE (HOUSING)							USED ON
10MAX	50MAX	100MAX	250MAX	250VR	ANGLE	ECCENT	
±0.2	±0.3	±0.55	±0.95	±1.4	±30'	0.1	

**주 기**

1. 기능상 유해한 BURR 및 WELDLINE 등이 없을 것.
2. 적용 TERMINAL(090): ST740672, 673, 674  
적용 TERMINAL(040): ST740771, 959  
적용 HOUSING: MG653565  
적용 SPACER: MG673176  
적용 WIRE COVER: MG633178  
적용 CLIP : MG631970, 1984, 2729, 2577
3. 제품내 함유된 6대 유해물질 (납, 수은, 카드뮴, 6가크롬, PBBs, PBDEs)은 EU ELV 지침 및 RoHS 법규에서 지정한 최대 허용 농도를 초과해서는 안 된다.

**NOTE**

1. MUST BE FREE OF FLASH, SINK AND IMPERFECTION THAT AFFECT FUNCTION.
2. APPLICABLE TERMINAL(090) : ST740672, 673, 674  
APPLICABLE TERMINAL(050) : ST740771, 959  
APPLICABLE HOUSING : MG653565  
APPLICABLE SPACER : MG673176  
APPLICABLE WIRE COVER : MG633178  
APPLICABLE CLIP : MG631970, 1984, 2729, 2577
3. HAZARDOUS SUBSTANCES IN PARTS (LEAD, MERCURY, CADMIUM, HEXAVALENT CHROMIUM, PBBs, PBDEs) SHALL NOT EXCEED THE MAXIMUM PERMISSIBLE CONCENTRATION PRESCRIBED UNDER EU ELV DIRECTIVE & RoHS REGULATION.

NO.	MATERIAL	COLOR
* 0	P B T	NATURAL
1		RED
* 2		BLUE
3		YELLOW
40		DARK GRAY
41		LIGHT GRAY
5		BLACK
6		DARK GREEN
7		BROWN
8		LIGHT GREEN
9		MAGENTA
11	ORANGE	

**APPROVED**

**2019-11-06**

**KOREA ELECTRIC TERMINAL CO., LTD.**  
Korea Electric Terminal Co., LTD.

MATERIAL	SEE TABLE	<b>KET</b> KOREA ELECTRIC TERMINAL CO., LTD. <b>ENGINEERED</b>
FINISH	SEE TABLE	
WIRE RANGE	CLASS	ASC + 040III
INSULATION	TYPE	
TOLERANCE EXCEPT AS NOTED	SCALE	PART NO.
SEE TABLE	1/1	MG643416
DR. KDJ. 2005.01.10	CHK.	PART NAME
CHK. KKJ	APP. KCH	LIF 39P MALE ASSEMBLY (CLIP TYPE)