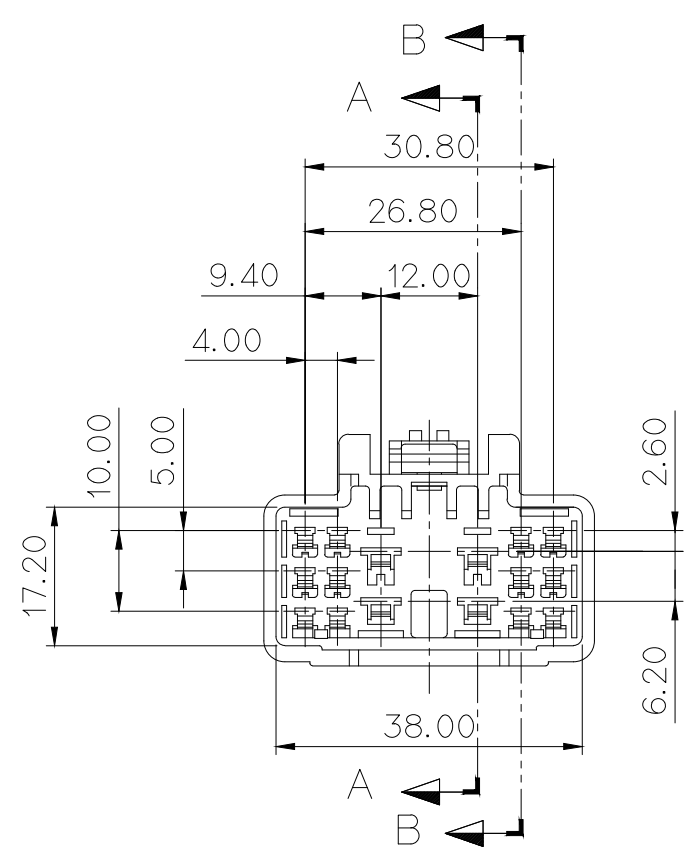
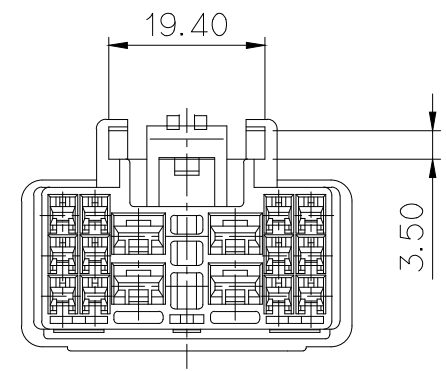
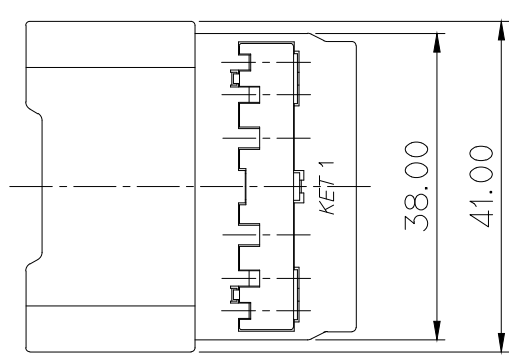
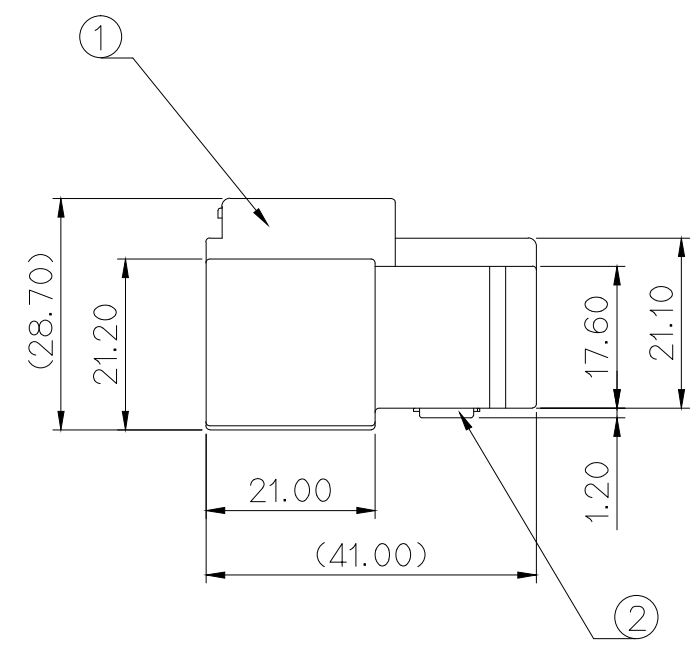
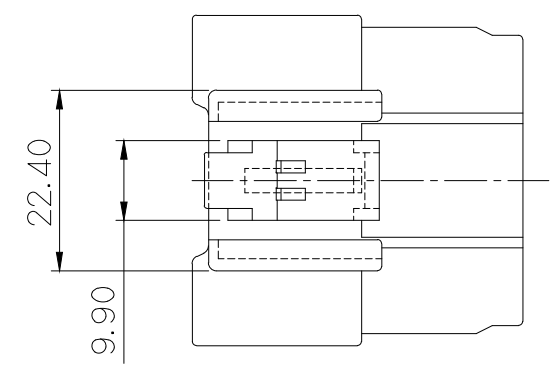
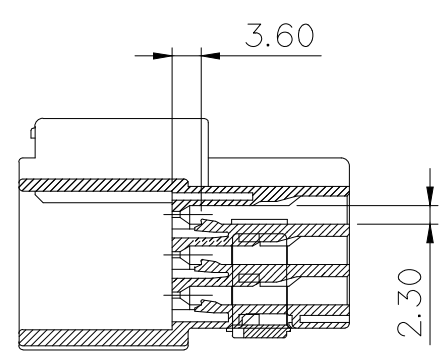


SEC A-A  
( 187 )



SEC B-B  
( 090 )



GENERAL TOLERANCE (HOUSING)							USED ON
10MAX	50MAX	100MAX	250MAX	250VR	ANGLE	ECCENT	
±0.2	±0.3	±0.55	±0.95	±1.4	±30'	0.1	

주 기

- 제품기능상 유해한 BURR, 변형 및 WELDLINE 등이 없을것.
- 적용 TERMINAL:  
ST740631, 632, 633(.187 TYPE: 4P)  
ST740672, 673, 674 (.090 TYPE : 12P)
- 적용 HOUSING: MG651006
- 제품내 함유된 6대 유해물질 (납, 수은, 카드뮴, 6가 크롬, PBBs, PBDEs)은 EU ELV 지침 및 RoHS 법규에서 지정한 최대 허용 농도를 초과해서는 안된다.

NOTE

- MUST BE FREE OF BURR, WELDLINE AND IMPERFECTION THAT AFFECT FUNCTION.
- APPLICABLE TERMINAL:  
ST740631, 632, 633(.187 TYPE: 4P)  
ST740672, 673, 674 (.090 TYPE : 12P)
- APPLICABLE HOUSING: MG651006
- 6 HAZARDOUS SUBSTANCES IN PARTS (LEAD, MERCURY, CADMIUM, HEXAVALENT CHROMIUM, PBDEs) SHALL NOT EXCEED THE MAXIMUM PERMISSIBLE CONCENTRATION PRESCRIBED UNDER EU ELV DIRECTIVE & RoHS REGULATION.

NO.	PART NO.	PART NAME	MATERIAL	REMARK
1	MG673625	1809 16M HOUSING (NON CLIP)	PBT	NATURAL
2	MG671005	1809 16M S/P	PBT	NATURAL

**APPROVED**

**2018-12-07**

**KOREA ELECTRIC TERMINAL CO., LTD.**  
Korea Electric Terminal Co., LTD.

ISSUE MARK

					MATERIAL	SEE TABLE	<p>KOREA ELECTRIC TERMINAL CO., LTD.</p>	
					FINISH	SEE TABLE		
					WIRE RANGE	CLASS		
					INSULATION	TYPE		
LTR	REVISION RECORD	DR.	CHK.	APP.	DATE	TOLERANCE EXCEPT AS NOTED	SCALE	PART NO.
	SSH '06.08.16		JYS		'06.08.16	SEE TABLE	1/1	MG643624
	HSH '06.08.16		KKJ		'06.08.17	PART NAME	1809 16M HOUSING (NON CLIP)	