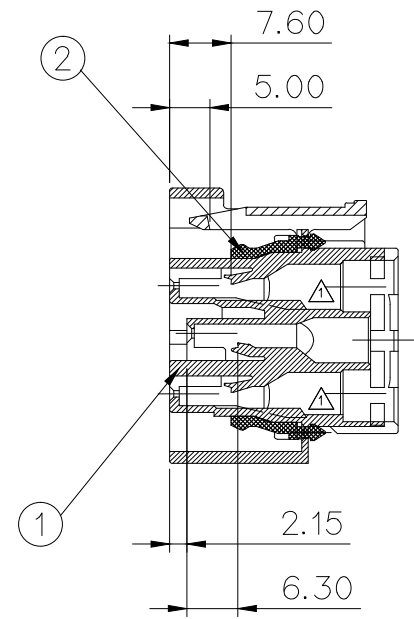
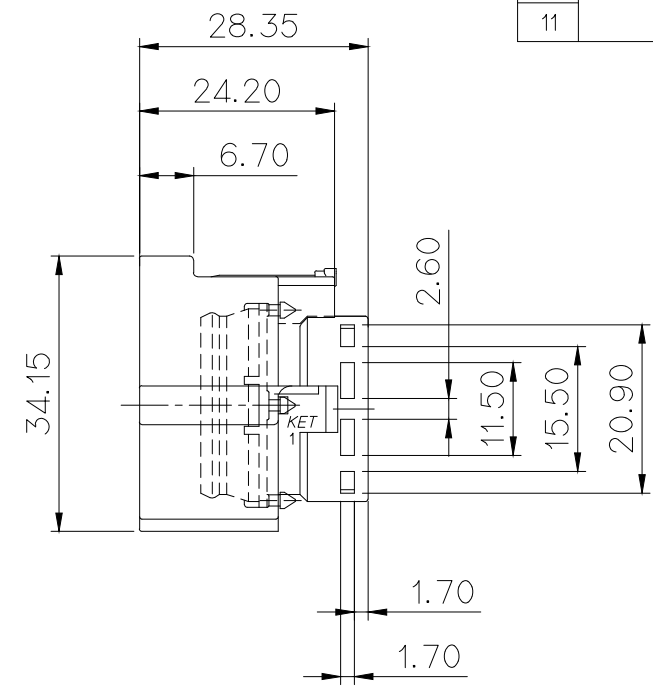
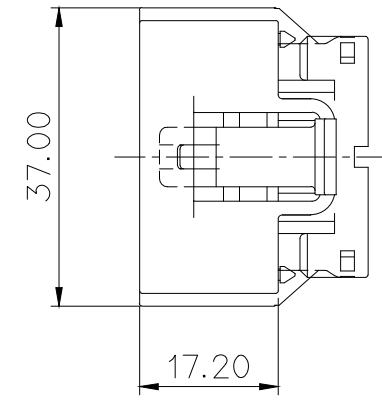
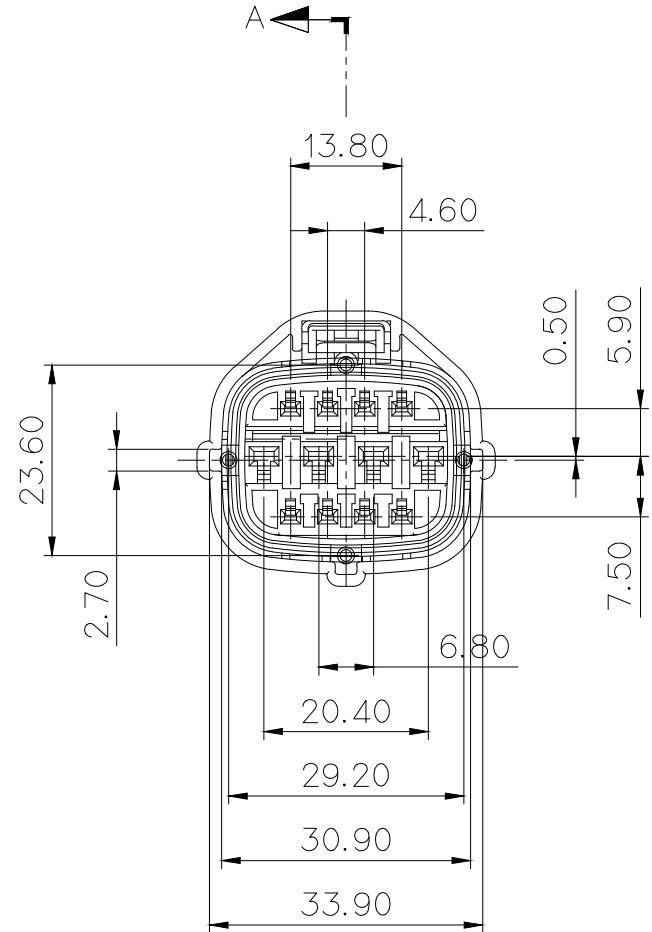
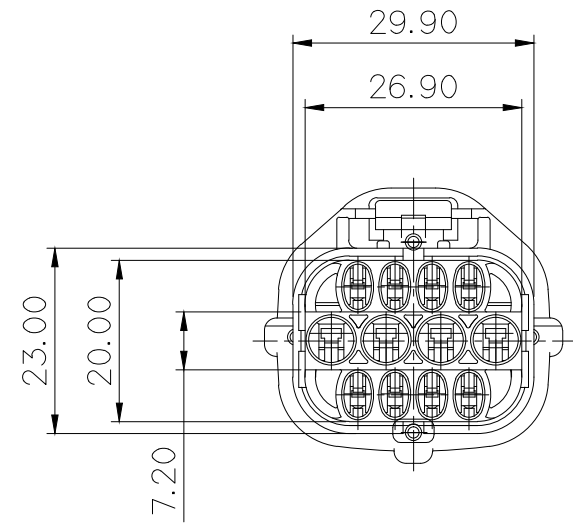


ISO VIEW



SECTION A-A



NO.	MATERIAL	COLOR
0	PBT	NATURAL
1		RED
2		BLUE
3		YELLOW
40		DARK GRAY
41		LIGHT GRAY
* 5		BLACK
6		DARK GREEN
7		BROWN
8		LIGHT GREEN
9		MAGENTA
11	ORANGE	

GENERAL TOLERANCE (HOUSING)							USED ON
10MAX	50MAX	100MAX	250MAX	250VR	ANGLE	ECCENT	
±0.2	±0.3	±0.55	±0.95	±1.4	±30'	0.1	

GENERAL TOLERANCE (SILICONE RUBBER)					
50MAX	100MAX	250MAX	250OVR	ANGLE	ECCENT
±0.2	±0.3	±0.5	±0.75	±30'	0.1

NO	PART NO.	PART NAME	MATERIAL	FINISH
①	MG673738	0509 WP 12F HOUSING	PBT	BLACK
②	R600042	0509 12F INNER SEAL	SILICONE	RED



NOTE

- MUST BE FREE OF FLASH, WELDLINE AND IMPERFECTION THAT AFFECT FUNCTION.
- APPLICABLE TERMINAL : ST730622, 1316, 1103, 1188 (050 WP)
ST730689, 732, 733, 739 (090II WP)
- APPLICABLE WIRE SEAL : MG680713, 714 (050)
MG680448, 449, 450, 451 (SWP)
- APPLICABLE DUMMY SEAL : MG680715 (050)
MG681266 (SWP)
- APPLICALE REAR HOLDER : MG630712
- 6 HAZARDOUS SUBSTANCES IN PARTS (LEAD, MERCURY, CADMIUM, HEXAVALENT CHROMIUM, PBDEs) SHALL NOT EXCEED THE MAXIMUM PERMISSIBLE CONCENTRATION PRESCRIBED UNDER EU ELV DIRECTIVE & RoHS REGULATION.

주 기

- 유해한 FLASH, WELDLINE, 결함 등이 없을 것.
- 적용 TERMINAL : ST730622, 1316, 1103, 1188 (050 WP)
ST730689, 732, 733, 739 (090II WP)
- 적용 WIRE SEAL : MG680713, 714 (050)
MG680448, 449, 450, 451 (SWP)
- 적용 DUMMY SEAL : MG680715 (050)
MG681266 (SWP)
- 적용 REAR HOLDER : MG630712
- 제품내 함유된 6대 유해물질 (납, 수은, 카드뮴, 6가 크롬, PBBs, PBDEs)은 EU ELV 지침 및 RoHS 법규에서 지정한 최대 허용 농도를 초과해서는 안된다.

APPROVED

2019-11-06

KOREA ELECTRIC
TERMINAL CO., LTD.
Korea Electric Te
rminal Co., LTD.

ISSUE MARK

		MATERIAL		SEE TABLE		KOREA ELECTRIC TERMINAL CO., LTD.		
		FINISH		SEE TABLE				
		WIRE RANGE				CLASS		050+090II
		INSULATION				TYPE		
LTR	REVISION RECORD	DR.	CHK.	APP.	DATE	TOLERANCE EXCEPT AS NOTED	SCALE	PART NO.
	DR. SHIN.S.H '06.09.25	CHK.	J.Y.S	APP.	09/25	SEE TABLE	1/1	MG643739
CHK.	09/25	APP.			09/25	PART NAME		0509 WP 12F HOUSING ASSY