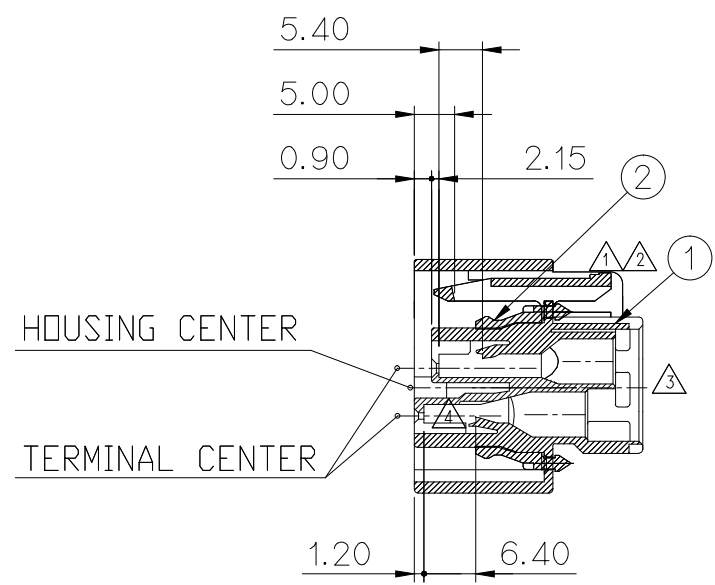
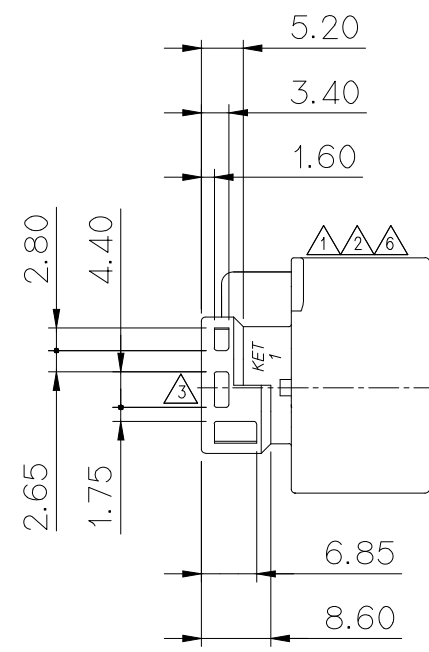
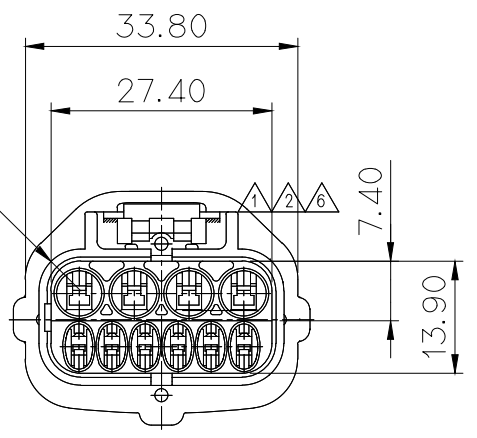
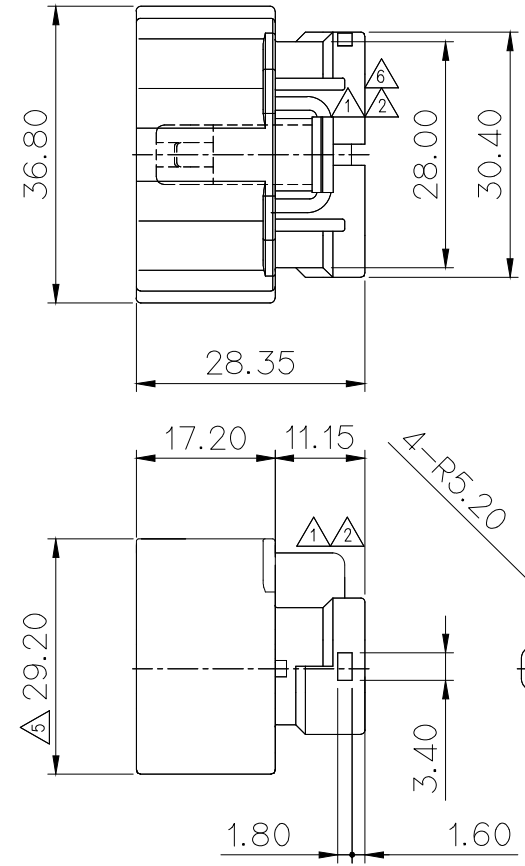
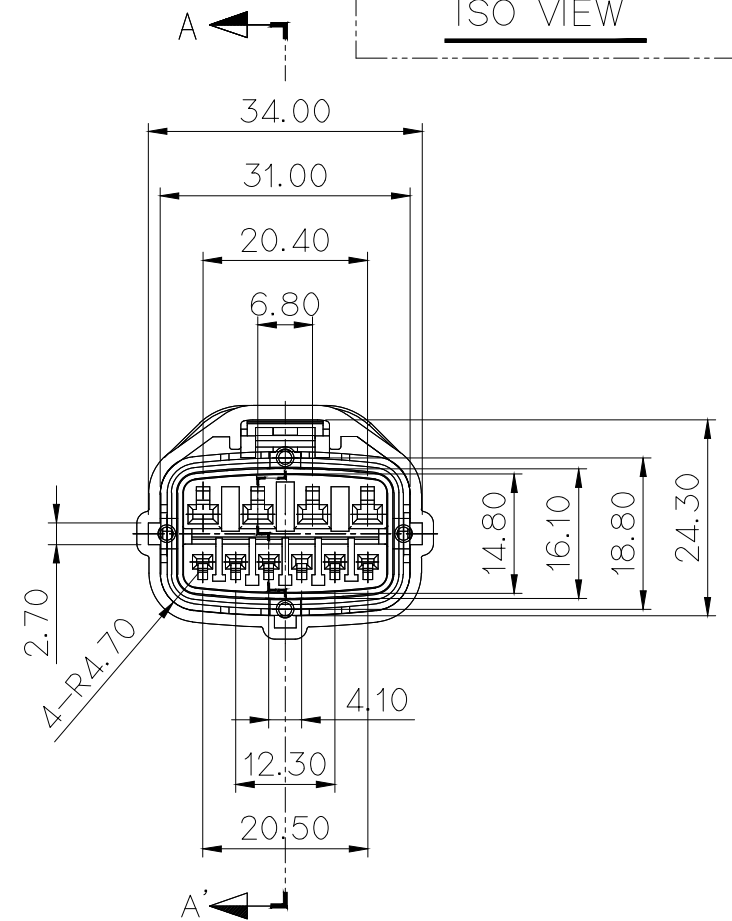


GENERAL TOLERANCE (SILICONE RUBBER)						GENERAL TOLERANCE (HOUSING)						USED ON	
50MAX	100MAX	250MAX	250OVR	ANGLE	ECCENT	10MAX	50MAX	100MAX	250MAX	250VR	ANGLE	ECCENT	
±0.2	±0.3	±0.5	±0.75	±30'	0.1	±0.2	±0.3	±0.55	±0.95	±1.4	±30'	0.1	

NO	PART NO.	PART NAME	MATERIAL	FINISH
①	MG673811	0509 WP 10F HOUSING	PBT	BLACK
②	R600066	0509 10F INNER SEAL	SILICONE	RED



NOTE

- MUST BE FREE OF BURR, WELDLINE AND IMPERFECTION THAT AFFECT FUNCTION.
- APPLICABLE HOUSING : INHIBITOR S/W
- APPLICABLE REAR HOLDER : MG631289
- APPLICABLE REAR COVER: MG633812
- APPLICABLE INNER SEAL : R600066
- APPLICABLE WIRE SEAL : (050)680713,714 680715(DUMMY SEAL) (090)680448,449,450,451
- APPLICABLE TERMINAL : ST730622 (050 WP) ST730689, 732, 733 (090II WP)
- 6 HAZARDOUS SUBSTANCES IN PARTS (LEAD, MERCURY, CADMIUM, HEXAVALENT CHROMIUM, PBBs, PBDEs) SHALL NOT EXCEED THE MAXIMUM PERMISSIBLE CONCENTRATION PRESCRIBED UNDER EU ELV DIRECTIVE & RoHS REGULATION.

주 기

- 제품기능상 유해한 BURR, 변형 및 WELDLINE 없을것.
- 적용 HOUSING : INHIBITOR S/W
- 적용 REAR HOLDER : MG631289
- 적용 REAR COVER : MG633812
- 적용 INNER SEAL : R600066
- 적용 WIRE SEAL : (050)680713,714,680715(DUMMY SEAL) (090)680448,449,450,451
- 적용 TERMINAL: ST730622 (050 WP) ST730689, 732, 733 (090II WP)
- 제품내 함유된 6대 유해물질 (납,수은,카드뮴,6가크롬, PBBs,PBDEs)은 EU ELV 지침 및 RoHS 법규에서 지정한 최대 허용 농도를 초과해서는 안된다.

△ NO.	MATERIAL	COLOR
0	P B T	NATURAL
1		RED
2		BLUE
20		JADE
3		YELLOW
4		GRAY
40		DARK GRAY
41		LIGHT GRAY
* 5		BLACK
6		DARK GREEN
7		BROWN
8	LIGHT GREEN	
9	MAGENTA	
11	ORANGE	



ISSUE MARK

△	ECO-1701-109	근거 도면 변경 (Lever 보호 가이드 부 형상 변경)	KJS	KMH	LSY	'17.01.05
LTR	REVISION RECORD		DR.	CHK.	APP.	DATE

△	ECO-1609-043에 근거 도면 변경 (도면현실화 ECO-1308-168반영)	SY.L	KMH	LSY	'16.09.02
△	ECO-1510-051에 근거 도면 변경	LJY	CSH	LSY	'15.10.05
△	ECO-1307-142에 근거 도면 변경	YM.K	CSH	CWK	'13.07.15
△	ECO-1208-988에 근거 도면 변경	YM.K	CSH	HSH	'12.08.29
△	ECO-1205-085에 근거 도면 변경	YM.K	CSH	HSH	'12.05.15
LTR	REVISION RECORD	DR.	CHK.	APP.	DATE
DR.	CYJ '07.03.21	CHK.	HSH		
CHK.		APP.	KKJ		

MATERIAL	SEE TABLE		KOREA ELECTRIC TERMINAL CO., LTD.
FINISH	SEE TABLE		
WIRE RANGE		CLASS	050 WP+090II WP
INSULATION		TYPE	
TOLERANCE EXCEPT AS NOTED	SEE TABLE	SCALE	1/1
PART NAME	0509 WP 10F HOUSING ASSY		
PART NO.	MG643793		