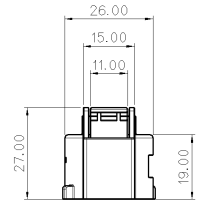


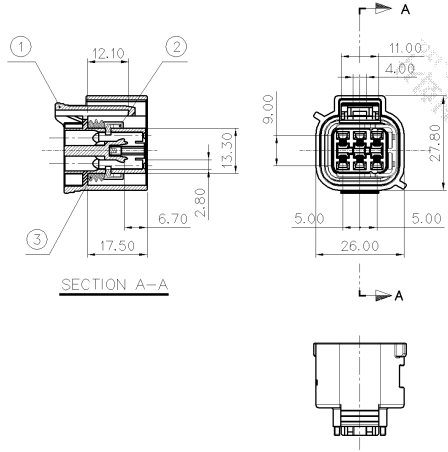
ISO VIEW

GENERAL TOLERANCE (HOUSING)							USED ON
10MAX	50MAX	100MAX	250MAX	250VR	ANGLE	ECCENT	
±0.2	±0.3	±0.55	±0.95	±1.4	±30'	0.1	

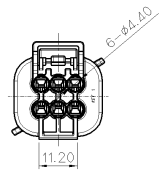
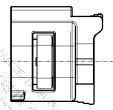


NOTE

- MUST BE FREE OF BURR, WELDLINE AND IMPERFECTION THAT AFFECT FUNCTION.
- APPLICABLE TERMINAL : ST730689/ 0732/ 0739/ 0733
WIRE SEAL : MG683935/ 1474/ 0274/ 0275
DUMMY SEAL : MG683695
MALE ASSY : MG653863
- 6 HAZARDOUS SUBSTANCES IN PARTS (LEAD, MERCURY, CADMIUM, HEXA VALENT CHROMIUM, PBBs, PBDEs) SHALL NOT EXCEED THE MAXIMUM PERMISSIBLE CONCENTRATION PRESCRIBED UNDER EU ELV DIRECTIVE & RoHS REGULATION.



SECTION A-A



주 기

- 가능성 유해한 BURR 및 WELDLINE 등이 없도록.
- 적용 TERMINAL : ST730689/ 0732/ 0739/ 0733
WIRE SEAL : MG683935/ 1474/ 0274/ 0275
DUMMY SEAL : MG683695
MALE ASSY : MG653863
- 제품내 함유된 6대 유해물질 (납, 수은, 카드뮴, 6가크롬, PBBs, PBDEs)은 EU ELV 지침 및 RoHS 법규에서 지정한 최대 허용 농도를 초과해서는 안된다.



NO.	PART NO.	PART NAME	MATERIAL	FINISH
1	MG673867	HEAD LAMP 6F HOUSING	PBT	BLACK
2	MG673868	HEAD LAMP 6F SPACER	PBT	NATURAL
3	R602126	HEAD LAMP 6F INNER SEAL	SILICONE	RED

MATERIAL	SEE TABLE		KOREA ELECTRIC TERMINAL CO., LTD.							
FINISH	SEE TABLE		CLASS	H/LAMP						
WIRE RANGE		INSULATION	TYPE	.090						
LTR	REVISION RECORD	DR	CHK	APP.	DATE	REVISION NO. OF ASSY	SCALE	1/1	PART NO.	MG643866
DR	KBS 2009.04.13	CHK								
CHK		APP.								
PART NAME									HEAD LAMP 6F ASSY	