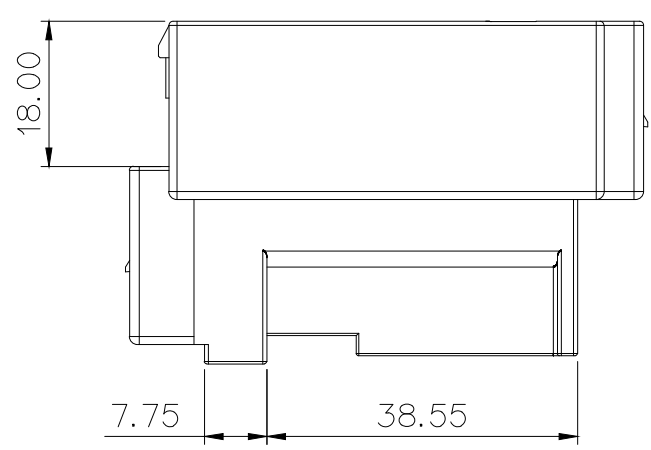
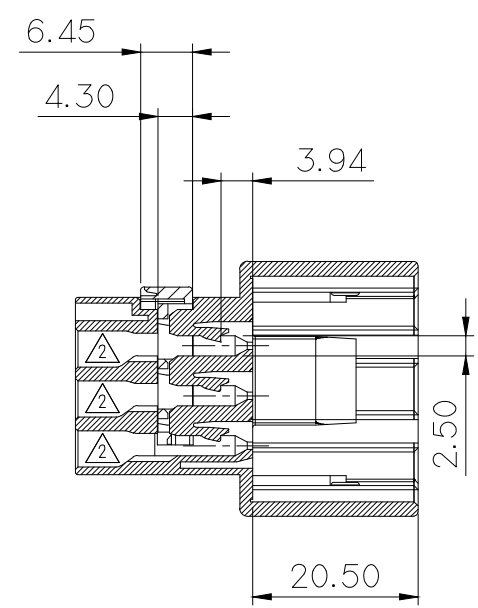
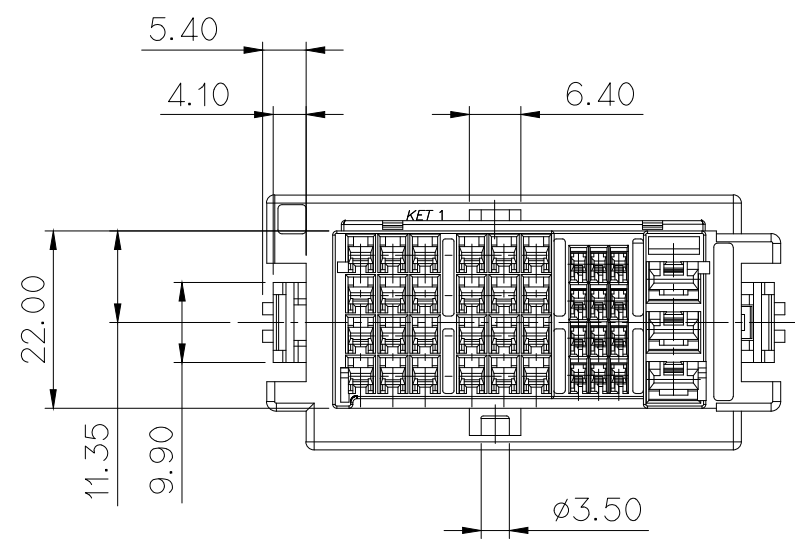
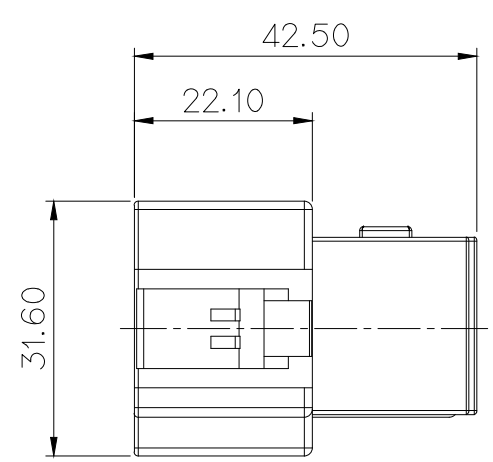
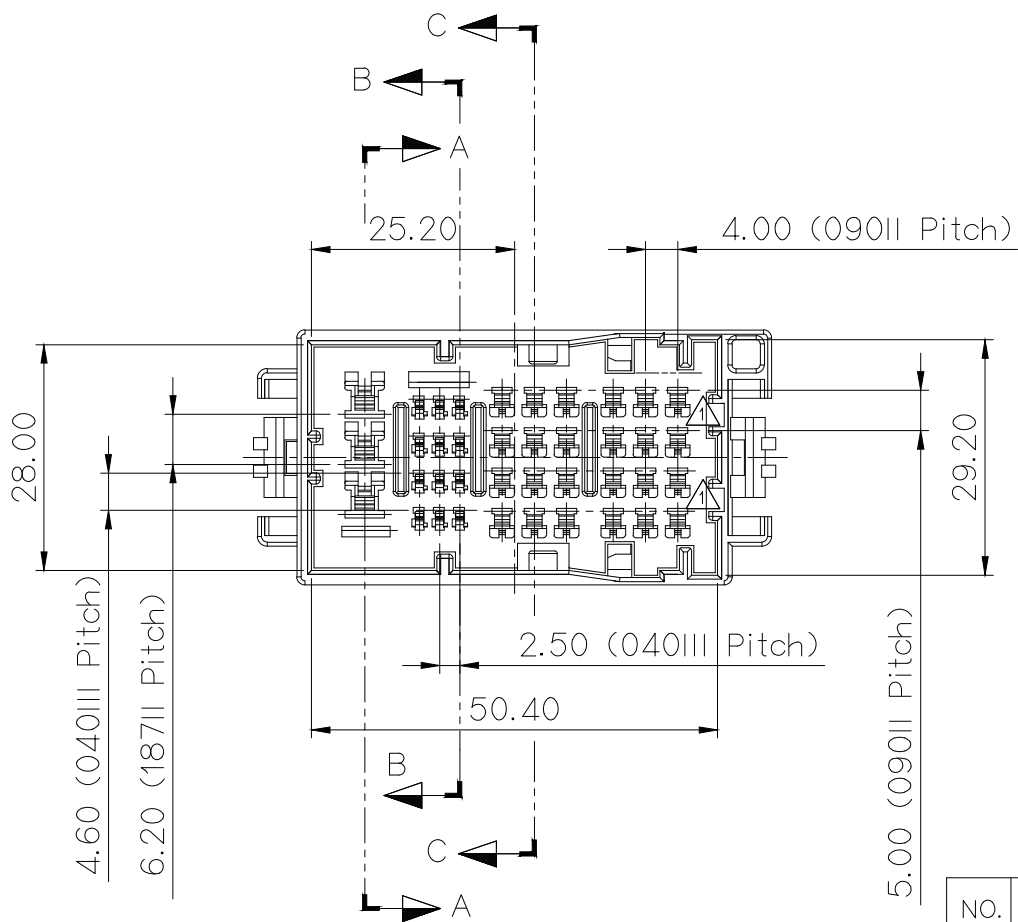
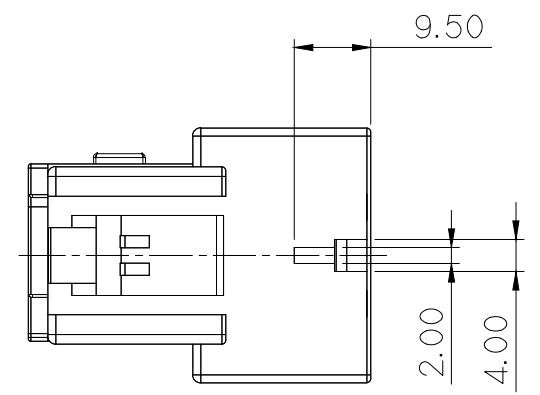
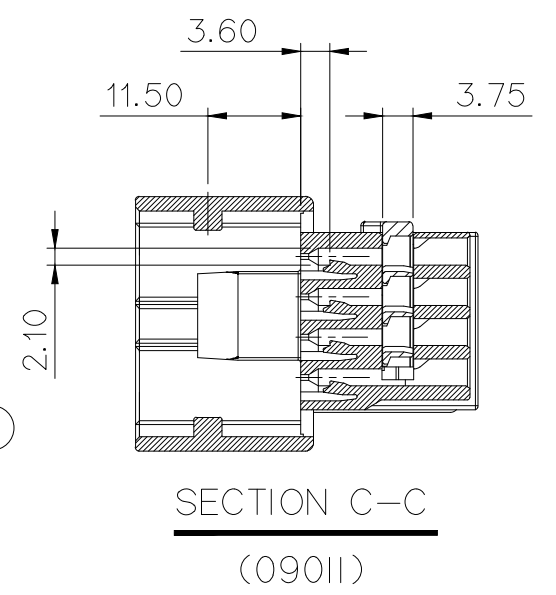
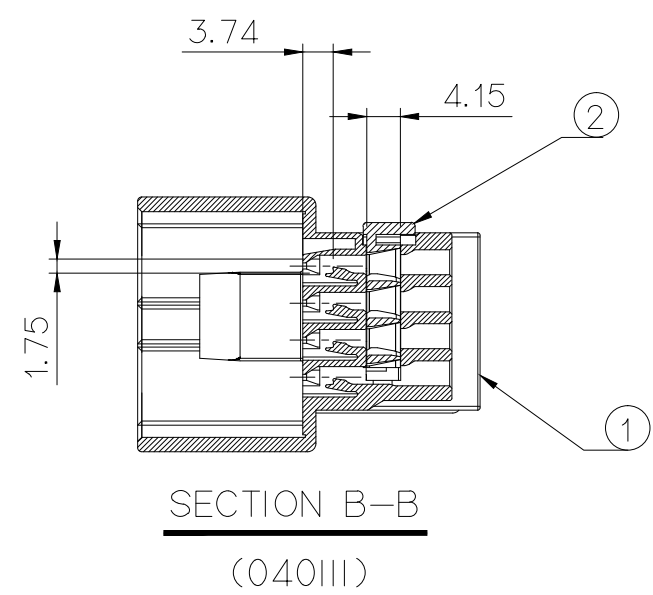
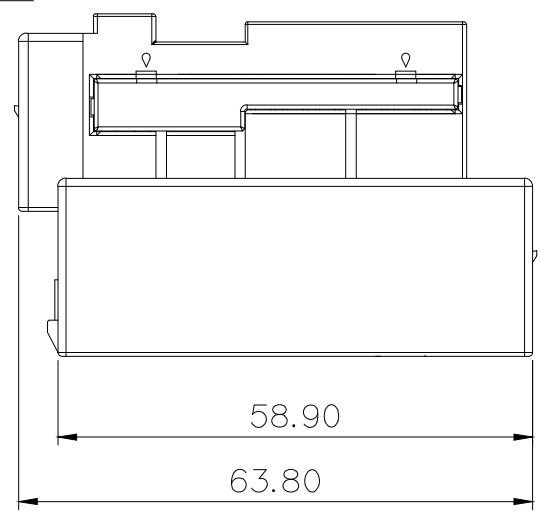


주 기

1. 기능상 유해한 BURR 및 WELDLINE 등이 없을 것.
2. 적용 TERMINAL(040III) : ST740771, 740959
적용 TERMINAL(090II) : ST740672, 740673, 740674
적용 TERMINAL(187II) : ST740631, 740632, 740633
3. 적용 SPACER: MG673925
4. 적용 상대 CONNECTOR : MG653930
- △ 5. 제품내 함유된 6대 유해물질 (납, 수은, 카드뮴, 6가크롬, PBBs, PBDEs)은 EU ELV 지침 및 RoHS 법규에서 지정한 최대 허용 농도를 초과해서는 안 된다.

GENERAL TOLERANCE (HOUSING)							USED ON
10MAX	50MAX	100MAX	250MAX	250VR	ANGLE	ECCENT	
±0.2	±0.3	±0.55	±0.95	±1.4	±30'	0.1	



NO.	PART NO.	PART NAME	MATERIAL	FINISH
①	MG673924	LIF 39P MALE HOUSING (BOX TYPE)	PBT	NATURAL
②	MG673925	LIF 39P MALE SPACER (BOX TYPE)		YELLOW

APPROVED
2018-12-07
KOREA ELECTRIC
TERMINAL CO., LTD.
Product Development Team 1

ISSUE MARK

MATERIAL	SEE TABLE	KET KOREA ELECTRIC ENGINEERED TERMINAL CO., LTD.
FINISH	SEE TABLE	
WIRE RANGE		CLASS LIF
INSULATION		TYPE 040III+090II+187II
TOLERANCE EXCEPT AS NOTED	SEE TABLE	SCALE 1/1
REVISION RECORD	DR. J.Y.S '08.03.24 CHK. '08.03.24	PART NO. MG643929
PART NAME	LIF 39P MALE ASSY (BOX TYPE)	