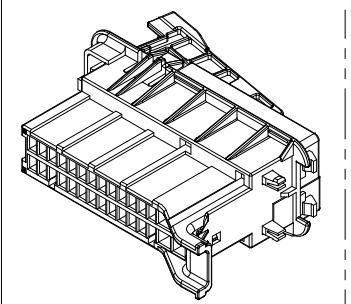
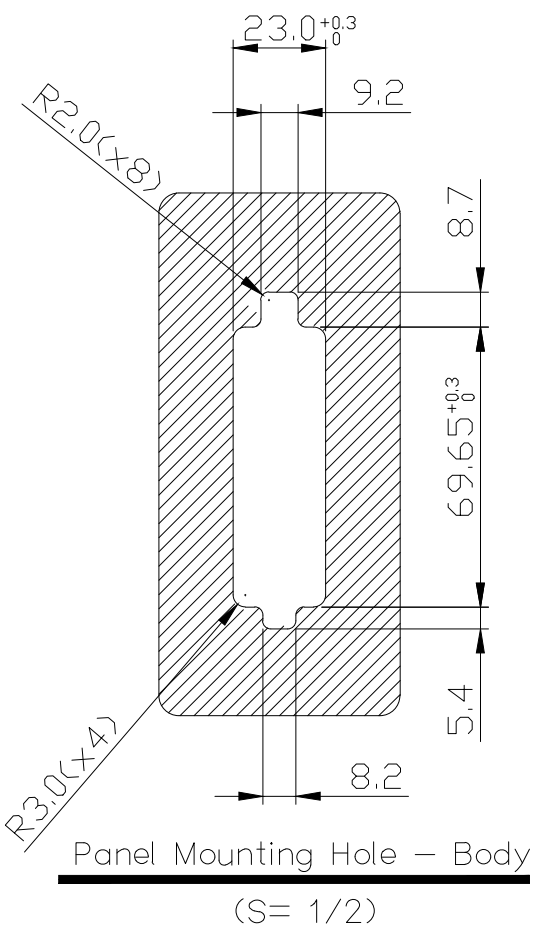
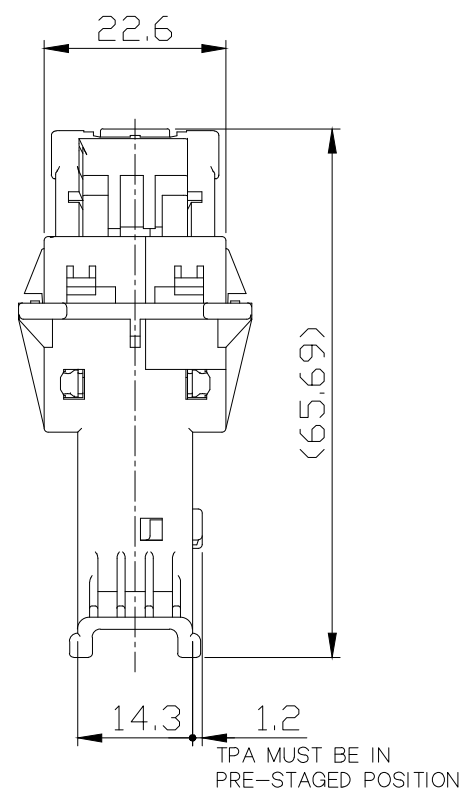
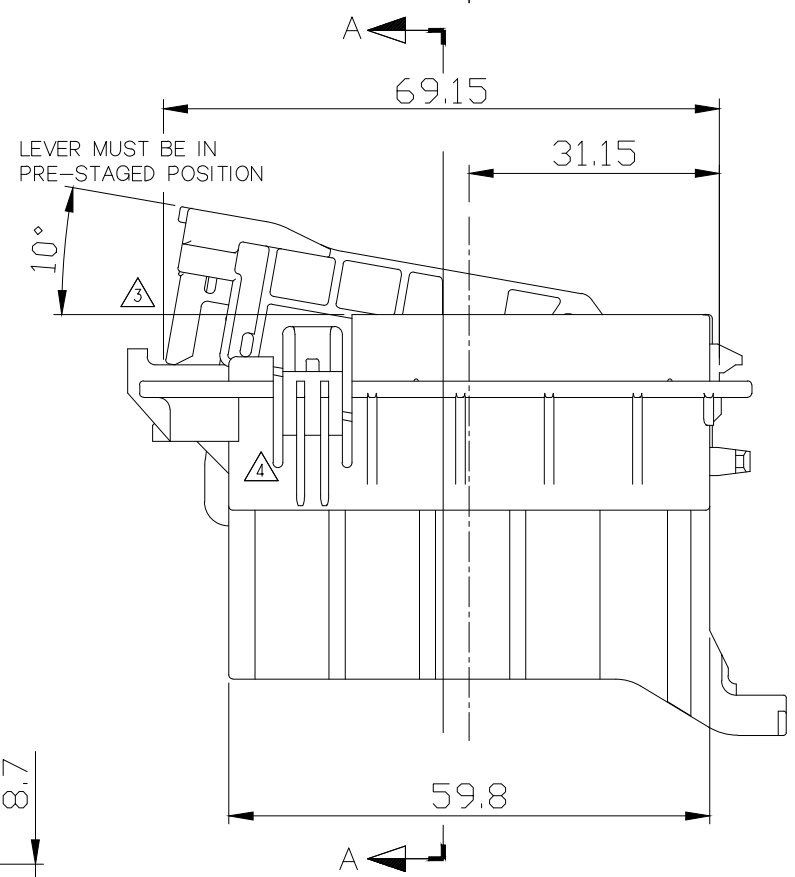
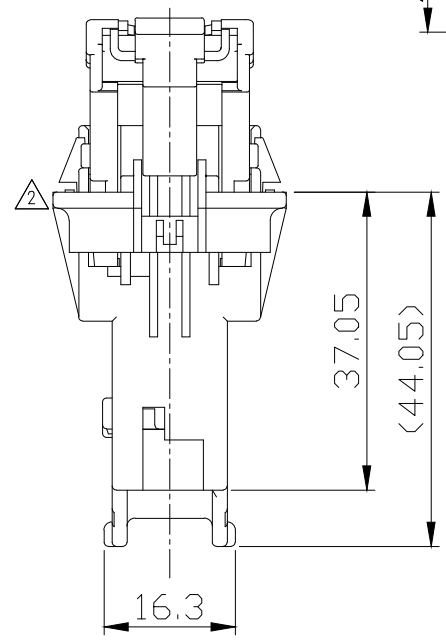
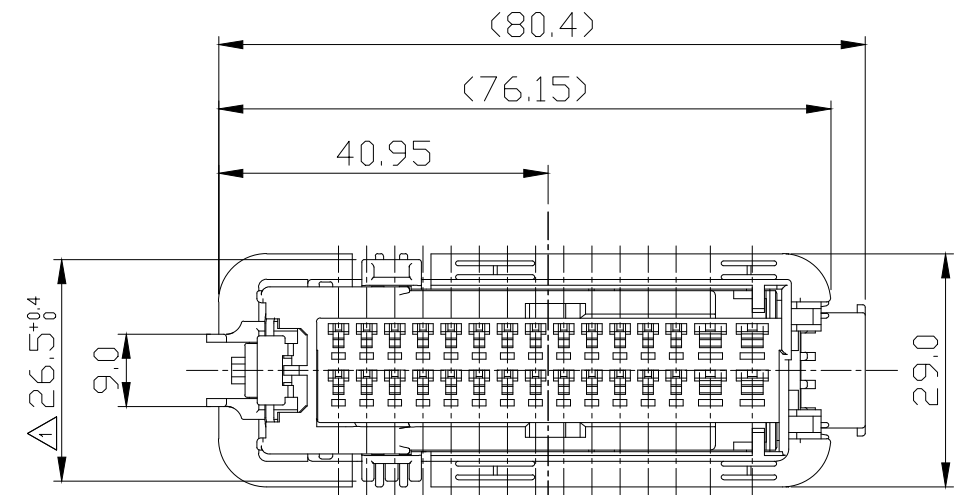


PART NO. MG643934

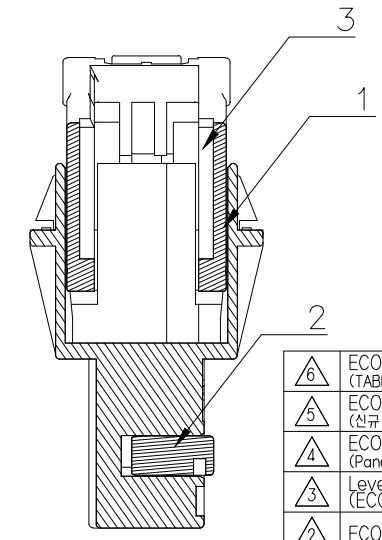
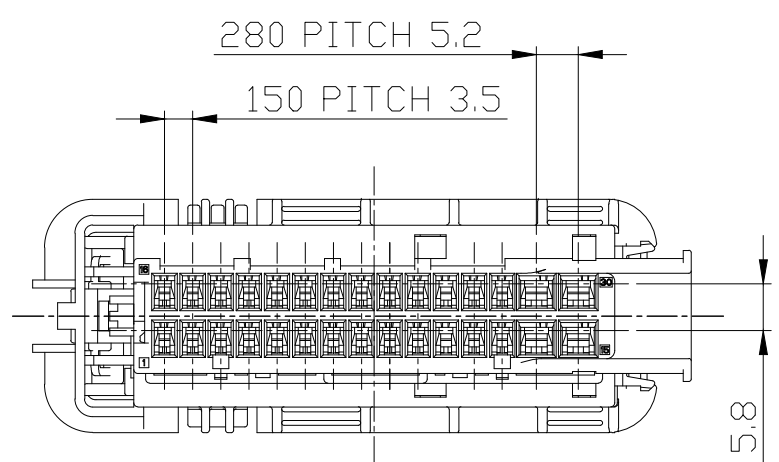
CUSTOMER DRAWING



3D VIEW
(S= 1/2)



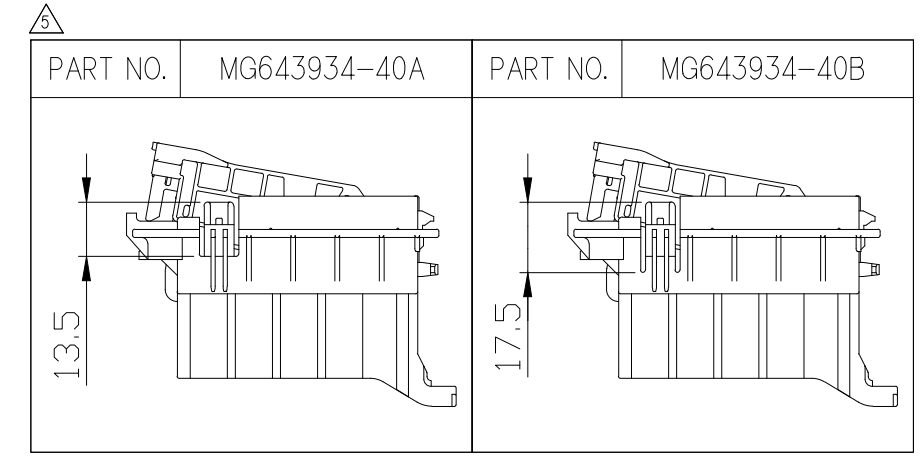
Panel Mounting Hole - Body
(S= 1/2)



SECTION A-A

GENERAL TOLERANCE (HOUSING)							USED ON
10MAX	50MAX	100MAX	250MAX	250VR	ANGLE	ECCENT	
±0.2	±0.3	±0.55	±0.95	±1.4	±30'	0.1	

NO.	PART NAME	PART NO.	MATERIAL	COLOR	QTY.	REMARKS
1	△ FRONT DOOR 30M HOUSING (A)	△ MG673947-40A	PBT-GF15	DARK GRAY	1	
	△ FRONT DOOR 30M HOUSING (B)	△ MG676488-40B				
2	FRONT DOOR 30M TPA	MG673948	PBT	NATURAL	1	
3	FRONT DOOR 30P LEVER	MG673951-5	POM	BLACK	1	



NOTE

- MUST BE FREE OF BURR, WELDLINE AND IMPERFECTION THAT AFFECT FUNCTION.
- MATING MALE CONNECTOR ASSEMBLY : MG653933
APPLICABLE TERMINAL : GT 150 15304701~2 (DELPHI)
GT 280 15304722~5 (DELPHI)

3. 6 HAZARDOUS SUBSTANCES IN PARTS (LEAD, MERCURY, CADMIUM, HEXAVALENT CHROMIUM, PPBs, PPDEs) SHALL NOT EXCEED THE MAXIMUM PERMISSIBLE CONCENTRATION PRESCRIBED UNDER EU ELV DIRECTIVE & RoHS REGULATION.

APPROVED
2016-02-26
KOREA ELECTRIC
TERMINAL CO., LTD.
Korea Electric Terminal Co., LTD.

ISSUE MARK

LTR	REVISION RECORD	DR.	CHK.	APP.	DATE
6	ECO-1512-141 근거 도면 변경 (TABLE 품번 표기 세분화)	KCS	CKY	LSY	2015.12.09
5	ECO-1506-477 근거 도면 변경 (신규 PART NO. 추가)	AJH	CKY	LSY	2015.06.25
4	ECO-1502-119 근거 도면 변경 (Panel 체결시 삽입력 및 이탈력 개선)	KTH	HYJ	LSY	2015.02.05
3	Lever Lock 부 강성 보강 (ECO-1409-002) 근거	ASY	HYJ	LSY	2014.09.01
2	ECO-1401-267 근거	KJH	CSH	CWK	2014.01.28
1	ECO-1312-218 근거	SYC	CSH	CWK	2013.12.20

MATERIAL	SEE TABLE	KET KOREA ELECTRIC ENGINEERED TERMINAL CO., LTD.
FINISH	SEE TABLE	
WIRE RANGE	— / —	CLASS DOOR
INSULATION	— / —	TYPE 150 / 280
TOLERANCE EXCEPT AS NOTED	SEE TABLE	PART NO. MG643934
SCALE	1/1	
PART NAME	FRONT DOOR 30M CONNECTOR ASSEMBLY (A), (B)	

DIMENSIONS IN MM