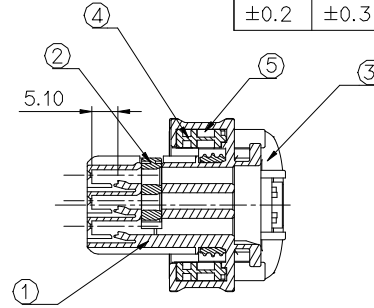
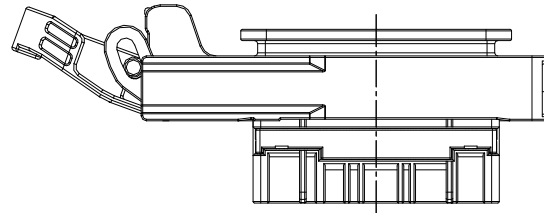


ISO VIEW

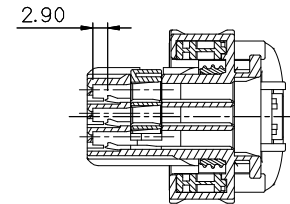
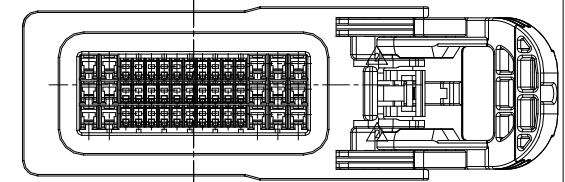
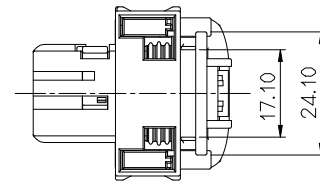
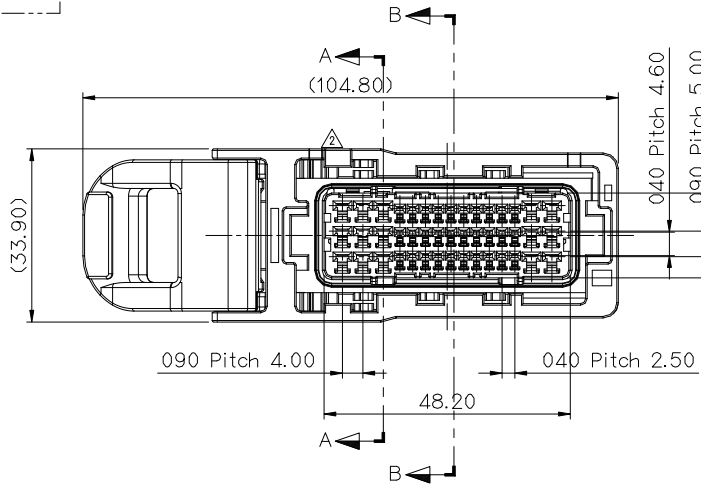
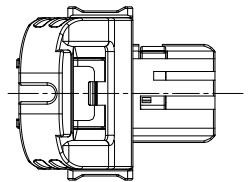


SECTION A-A  
(090)

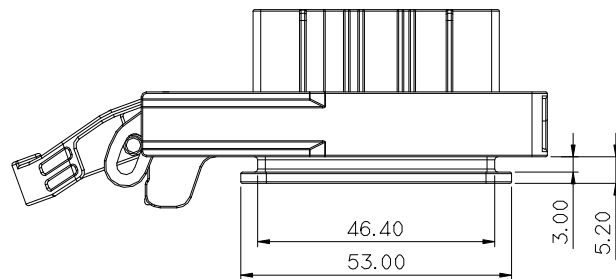
GENERAL TOLERANCE (HOUSING)							USED ON
10MAX	50MAX	100MAX	250MAX	250VR	ANGLE	ECCENT	
±0.2	±0.3	±0.55	±0.95	±1.4	±30'	0.1	

NOTE

1. APPLICABLE TERMINAL :  
ST731108, 1046, 1047, 0677-3 (090)  
ST731007, 0770, 0960-3 (040)
2. APPLICABLE CONNECTOR : MG654391
3. 6 HAZARDOUS SUBSTANCES IN PARTS  
(LEAD, MERCURY, CADMIUM, HEXAVALENT CHROMIUM, PBBs, PBDEs) SHALL NOT EXCEED THE MAXIMUM PERMISSIBLE CONCENTRATION PRESCRIBED UNDER EU ELV DIRECTIVE & RoHS REGULATION.



SECTION B-B  
(040)



~S. ~!\_J

1. ^-'!^R'-IP TERMINAL: ST731108, 1046, 1047, 0677-3 (090)  
ST731007, 0770, 0960-3 (040)
2. ^-'!^R'-IP CONNECTOR : MG654391
3. 제품내 함유된 6대 유해물질 (납,수은,카드뮴,6가크롬, PBBs, PBDEs)은 EU ELV 지침 및 RoHS 법규에서 지정한 최대 허용 농도를 초과해서는 안된다.



NO.	PART NAME	PART NO.	MATERIAL	COLOR	QTY.
1	FRONT DOOR 45F HOUSING	MG674430	PBT	BLACK	1
2	FRONT DOOR 45F SPACER	MG674431	PBT	NATURAL	1
3	FRONT DOOR 45F LEVER	MG674432	PP+GF20%	BLACK	1
4	FRONT DOOR 45F SLIDE RAIL	MG674433	POM	BLACK	2
5	FRONT DOOR 45F INNER SEAL	R602206	SILICON	RED	1

					MATERIAL	SEE TABLE	KOREA ELECTRIC TERMINAL CO., LTD.
					FINISH	SEE TABLE	
					WIRE RANGE		CLASS
					INSULATION		TYPE
△ ECO-1305-106 근거 도면 재작성 △ 설계사양변경 통보서(S100053)근거 실 보강	K.JH	HSH	13.05.20		TOLERANCE EXCEPT AS NOTED	SCALE	PART NO.
LTR	REVISION RECORD	DR.	CHK.	APP.	DATE	1/1	MG644390
DR. SHIN.S.H	'09.03.31	CHK.				PART NAME	FRONT DOOR 45F ASSY
CHK.		APP.					