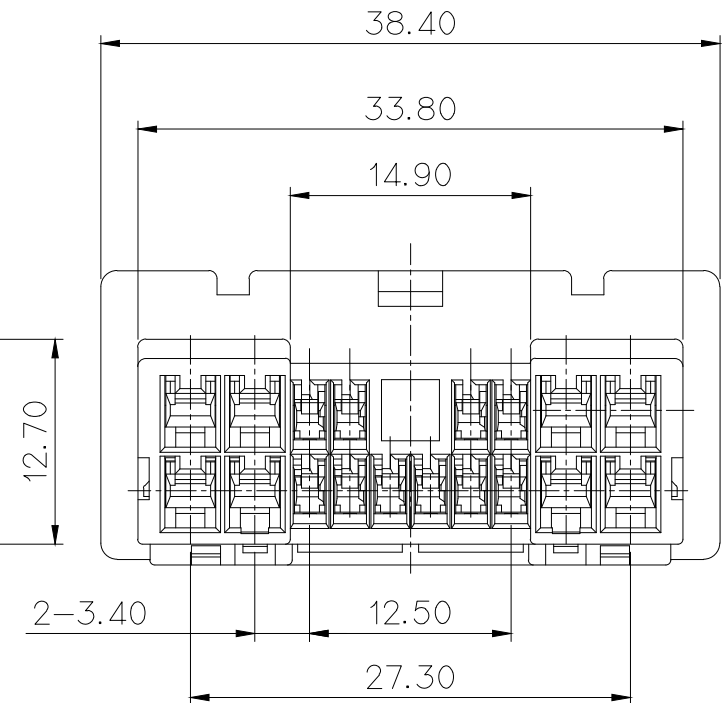
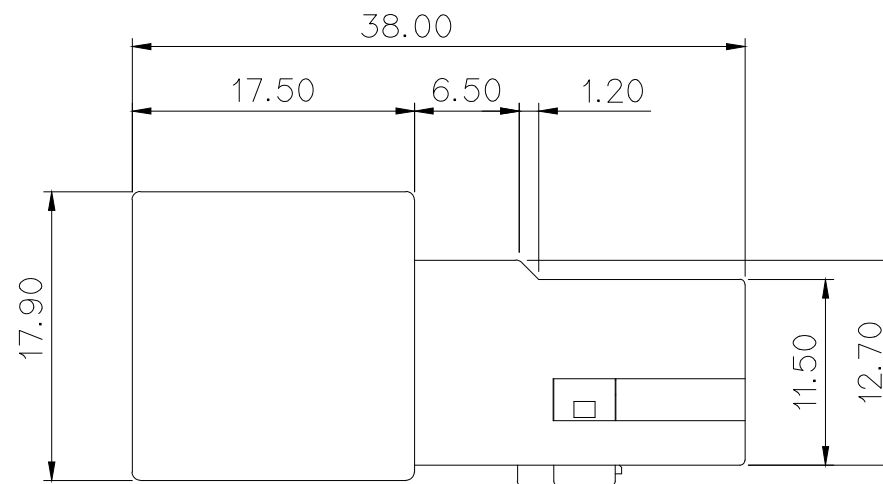
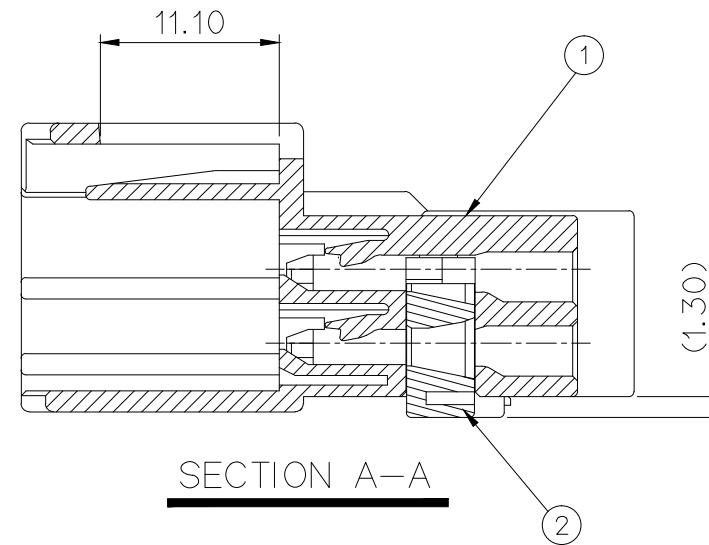


NO.	PART NO.	PART NAME	MATERIAL	COLOR
①	MG674424	0409 18M HOUSING	PBT	SEE TABLE
②	MG674425	0409 18M SPACER	PBT	RED

GENERAL TOLERANCE (HOUSING)							USED ON
10MAX	50MAX	100MAX	250MAX	250VR	ANGLE	ECCENT	
±0.2	±0.3	±0.55	±0.95	±1.4	±30'	0.1	

NOTE

- MUST BE FREE OF BURR, WELDLINE AND IMPERFECTION THAT AFFECT FUNCTION.
- APPLICABLE HOUSING : MG654429
- APPLICABLE TERMINAL (040III) : ST740771, 740959, 741015
APPLICABLE TERMINAL (090II) : ST740672, 740673, 740674, 741101
- THE MOLD DRAWING IN THE SAME WAY, SPACER IS NORMAL CONDITION MAINTENANCE AND SUPPLY WITH FIRST LOCKING.
- 6 HAZARDOUS SUBSTANCES IN PARTS (LEAD, MERCURY, CADMIUM, HEXAVALENT CHROMIUM, PPBs, PPDEs) SHALL NOT EXCEED THE MAXIMUM PERMISSIBLE CONCENTRATION PRESCRIBED UNDER EU ELV DIRECTIVE & RoHS REGULATION.



NO.	MATERIAL	COLOR
* 0	P B T	NATURAL
1		RED
2		BLUE
20		JADE
3		YELLOW
4		GRAY
40		DARK GRAY
41		LIGHT GRAY
5		BLACK
6		DARK GREEN
7		BROWN
8	LIGHT GREEN	
9	MAGENTA	
11	ORANGE	

주 기

- 기능상 유해한 BURR 및 WELDLINE 등이 없을 것.
- 적용 HOUSING : MG654429
- 적용 TERMINAL (040III) : ST740771, 740959, 741015
적용 TERMINAL (090II) : ST740672, 740673, 740674, 741101
- SPACER는 본 도면과 같이 1차 LOCK'G 상태로 유지, 공급할 것.
- 제품내 함유된 6대 유해물질 (납, 수은, 카드뮴, 6가크롬, PBBs, PBDEs)은 EU ELV 지침 및 RoHS 법규에서 지정한 최대 허용 농도를 초과해서는 안 된다.

APPROVED

2018-12-07

KOREA ELECTRIC
TERMINAL CO., LTD.
Product Development
Team 1

ISSUE MARK

MATERIAL	SEE TABLE		KOREA ELECTRIC TERMINAL CO., LTD.
FINISH	SEE TABLE		CLASS
WIRE RANGE		TYPE	.0409
INSULATION		PART NO.	MG644426
TOLERANCE EXCEPT AS NOTED	SEE TABLE	SCALE	2/1
LTR	REVISION RECORD	DR.	YSW '08.11.11
CHK.		APP.	
DATE		DATE	
CHK.		APP.	
PART NAME	0409 18M HOUSING ASSY		