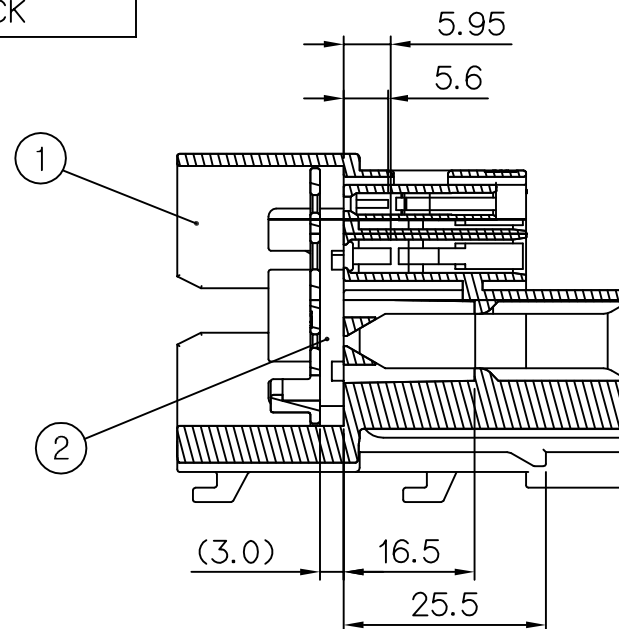
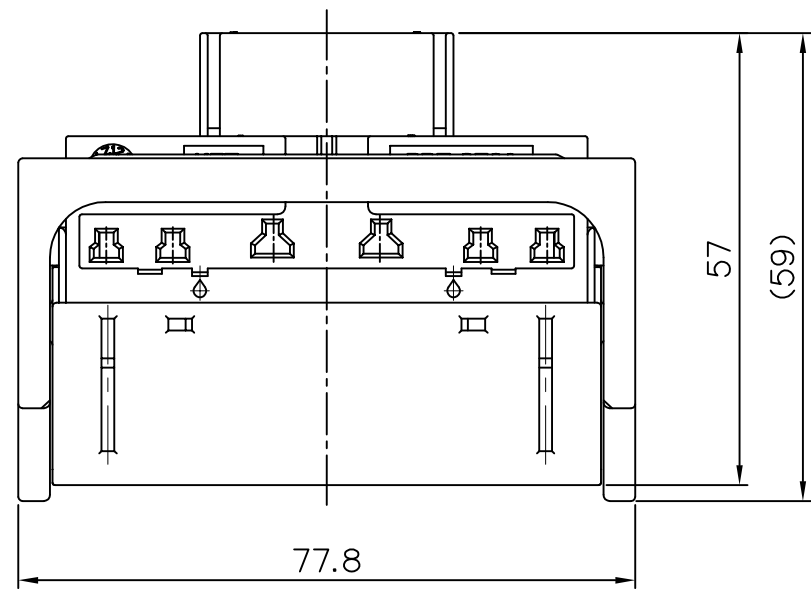


NO.	PART NO.	PART NAME	MATERIAL	FINISH
①	MG674610-5	Body-IP 68M Housing	PBT-GF30	BLACK
②	MG674612-6	Body-IP 68P TM'L Prevention	PA66	DARK GREEN
③	MG674613-5	Body-IP 68P Lever	PBT-GF30	BLACK

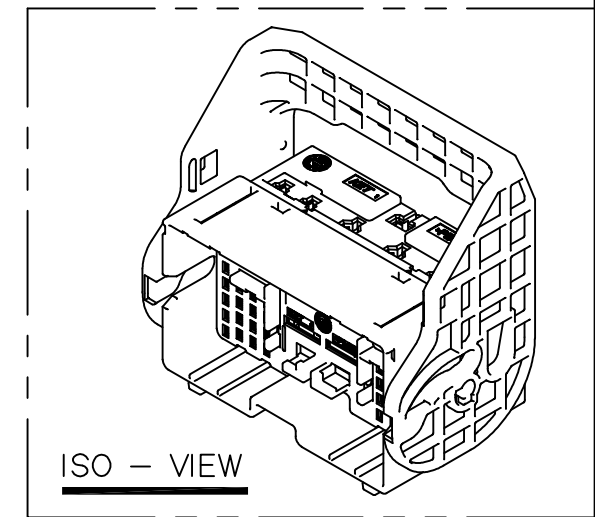
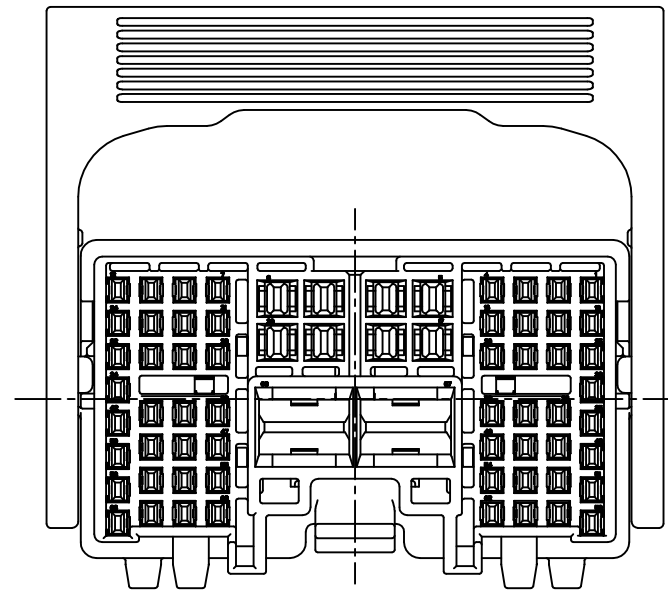
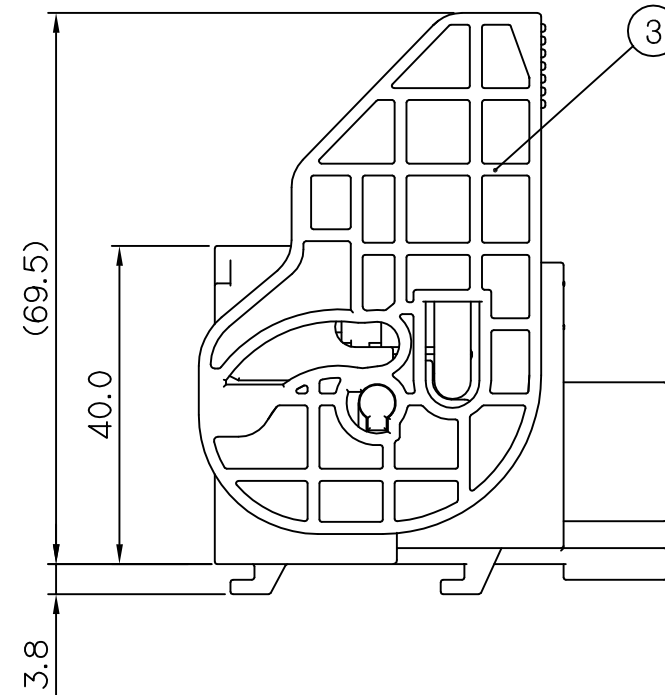
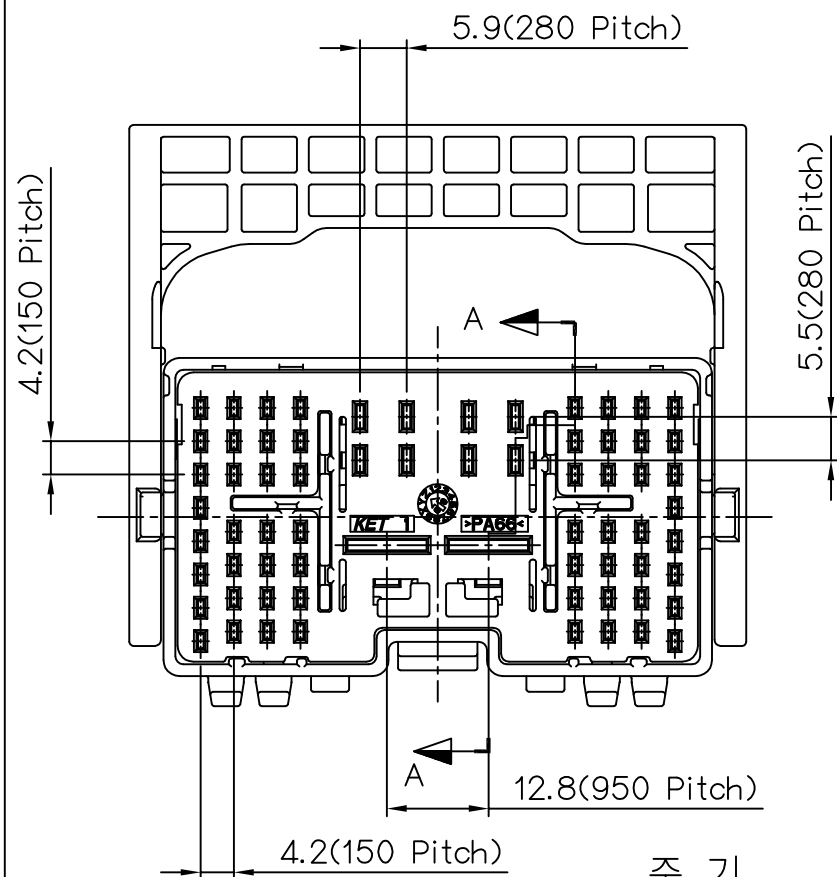
GENERAL TOLERANCE (HOUSING)							USED ON
10MAX	50MAX	100MAX	250MAX	250VR	ANGLE	ECCENT	
±0.2	±0.3	±0.55	±0.95	±1.4	±30'	0.1	



SECTION A-A

NOTE

- MUST BE FREE OF FLASH, SINK AND IMPERFECTION THAT AFFECT FUNCTION.
- APPLICABLE TERMINAL :  
 TYCO 150 964265 , 964267 (MT2)  
 TYCO 280 964294 , 964296 (JPT)  
 TYCO 950 963768 , 963766 (MPT)
- APPLICABLE TPA : MG634611-1
- APPLICABLE BRACKET ASSY : MG665015-5
- 6 HAZARDOUS SUBSTANCES IN PARTS (LEAD, MERCURY, CADMIUM, HEXAVALENT CHROMIUM, PBBs, PPDEs) SHALL NOT EXCEED THE MAXIMUM PERMISSIBLE CONCENTRATION PRESCRIBED UNDER EU ELV DIRECTIVE & RoHS REGULATION.



주 기

- 기능상 유해한 BURR 및 WELDLINE 등이 없을 것.
- 적용 TERMINAL : TYCO 150 964265 , 964267 (MT2)  
 TYCO 280 964294 , 964296 (JPT)  
 TYCO 950 963768 , 963766 (MPT)
- 적용 TPA : MG634611-1
- 적용 BRACKET ASSY : MG665015-5
- 제품내 함유된 6대 유해물질 (납, 수은, 카드뮴, 6가크롬, PBBs, PPDEs)은 EU ELV 지침 및 RoHS 법규에서 지정한 최대 허용 농도를 초과해서는 안된다.

ISSUE MARK

					MATERIAL	SEE TABLE	<b>KIET</b> KOREA ELECTRIC ENGINEERED TERMINAL CO., LTD.	
					FINISH	SEE TABLE		
					WIRE RANGE	— / —	CLASS	Body-IP 68P
					INSULATION	— / —	TYPE	— / —
LTR	REVISION RECORD	DR.	CHK.	APP.	DATE	TOLERANCE EXCEPT AS NOTED	SCALE	PART NO.
						SEE TABLE	1/1	MG644512-5
DR.	BJG. 08.SEP.2010		CHK.			PART NAME		Body-IP 68M Assy
CHK.	— / —		APP.					