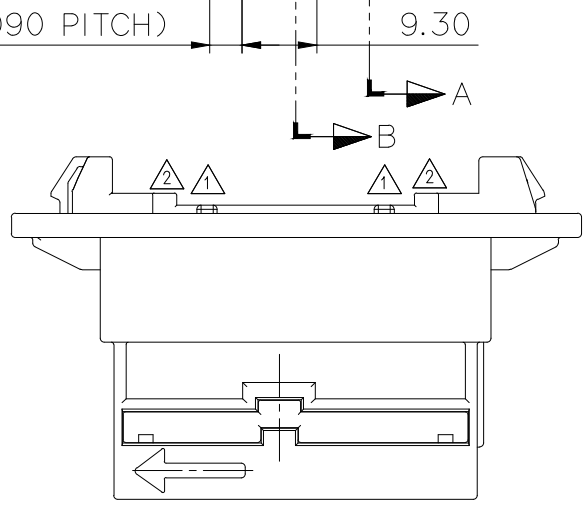
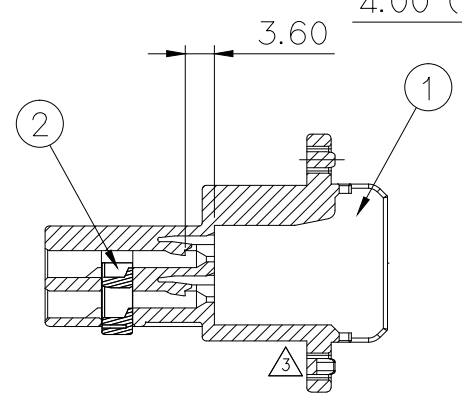
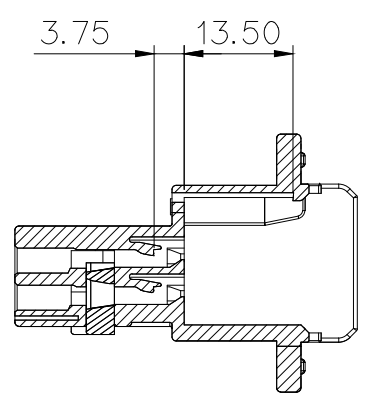
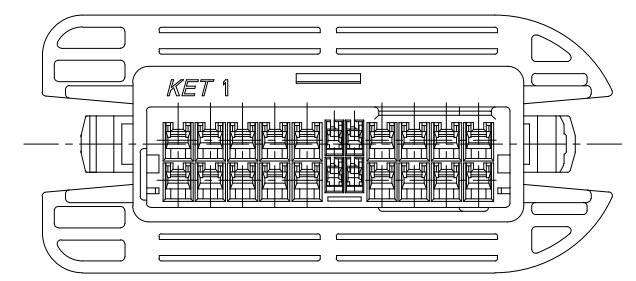
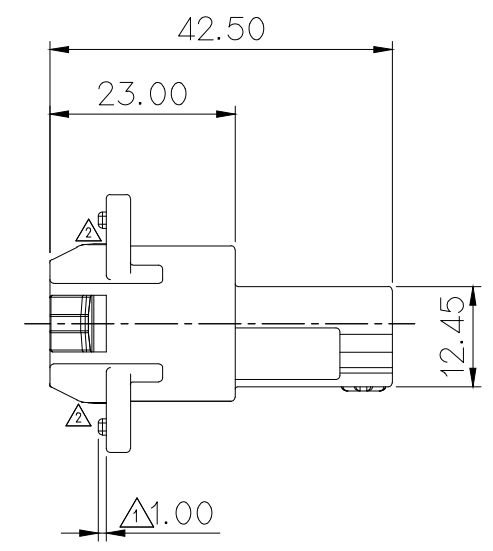
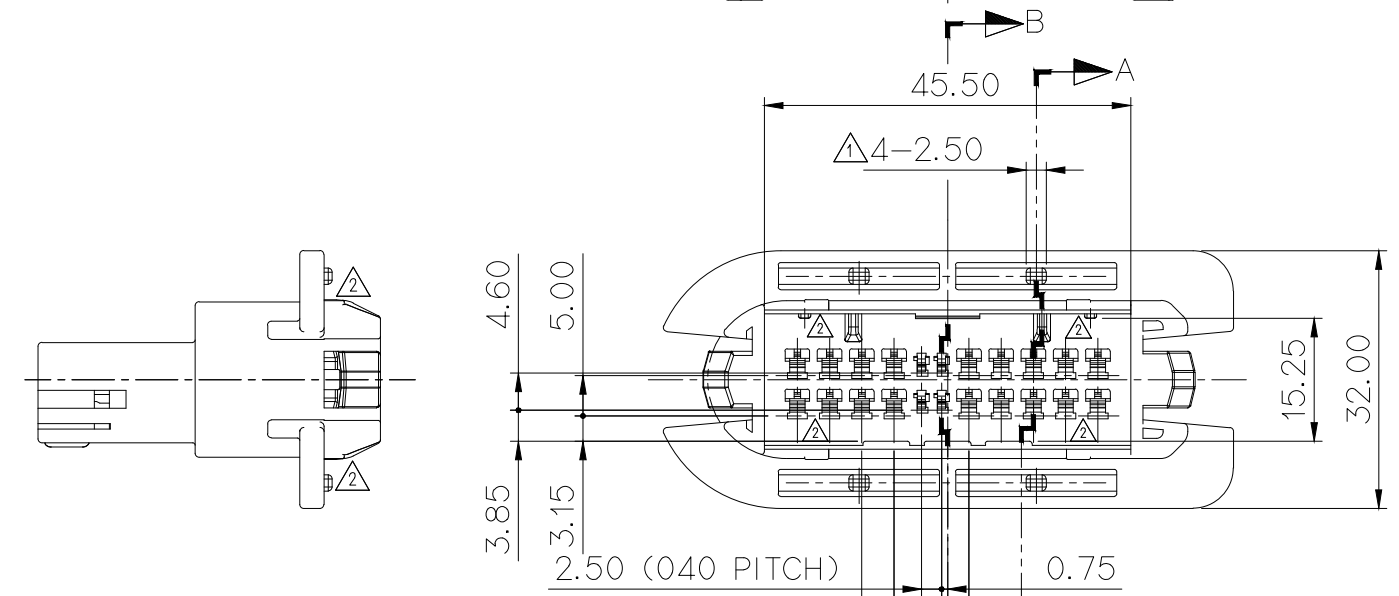


| GENERAL TOLERANCE (HOUSING) | | | | | | | USED ON |
|-----------------------------|-------|--------|--------|-------|-------|--------|---------|
| 10MAX | 50MAX | 100MAX | 250MAX | 250VR | ANGLE | ECCENT | |
| ±0.2 | ±0.3 | ±0.55 | ±0.95 | ±1.4 | ±30' | 0.1 | |

주 기

1. 기능상 유해한 BURR 및 WELDLINE 등이 없을 것.
2. 적용 TERMINAL(090II) : ST741154-3, ST741155-3, ST741156-3, ST741157-3
적용 TERMINAL(040III) : ST740771-3, ST740959-3, ST741015-3
3. 적용 상대 CONNECTOR : MG654783
4. 제품내 함유된 6대 유해물질 (납, 수은, 카드뮴, 6가크롬, PBBs, PBDEs)은 EU ELV 지침 및 RoHS 법규에서 지정한 최대 허용 농도를 지정한 최대 허용 농도를 초과해서는 안된다.



NOTE

1. MUST BE FREE OF BURR, WELDLINE AND IMPERFECTION THAT AFFECT FUNCTION.
2. APPLICABLE TERMINAL(090II) : ST741154-3, ST741155-3, ST741156-3, ST741157-3
APPLICABLE TERMINAL(040III) : ST740771-3, ST740959-3, ST741015-3
3. MATCHING CONNECTOR : MG654783
4. 6 HAZARDOUS SUBSTANCES IN PARTS (LEAD, MERCURY, CADMIUM, HEXAVALENT CHROMIUM, PBBs, PBDEs) SHALL NOT EXCEED THE MAXIMUM PERMISSIBLE CONCENTRATION PRESCRIBED UNDER EU ELV DIRECTIVE & RoHS REGULATION.

APPROVED
2018-12-07
KOREA ELECTRIC
TERMINAL CO., LTD.
Korea Electric Te
rminal Co., LTD.

| NO. | PART NO. | PART NAME | MATERIAL | FINISH |
|-----|-------------|------------------|----------|---------|
| ① | MG674781 | 0409 22M HOUSING | PBT | NATURAL |
| ② | MG674782-41 | 0409 22M SPACER | PBT | L/GRAY |

| REVISION RECORD | | | | | MATERIAL | | FINISH | | WIRE RANGE | | INSULATION | | SCALE | | PART NO. | |
|-----------------|-----|------|------|----------|--------------|-----------|--------------|-----------|--------------|-----------|--------------|-----------|-------|----------|---------------|--|
| LTR | DR. | CHK. | APP. | DATE | ECO-1601-416 | SEE TABLE | ECO-1306-069 | SEE TABLE | ECO-1209-069 | SEE TABLE | ECO-1201-063 | SEE TABLE | 1/1 | MG644780 | PART NAME | |
| | KMH | CWK | KKJ | 10.05.04 | ECO-1601-416 | SEE TABLE | ECO-1306-069 | SEE TABLE | ECO-1209-069 | SEE TABLE | ECO-1201-063 | SEE TABLE | 1/1 | MG644780 | 0409 22M ASSY | |

ISSUE MARK

