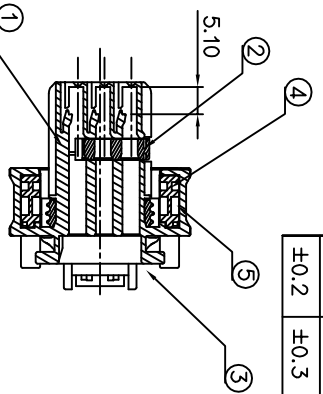
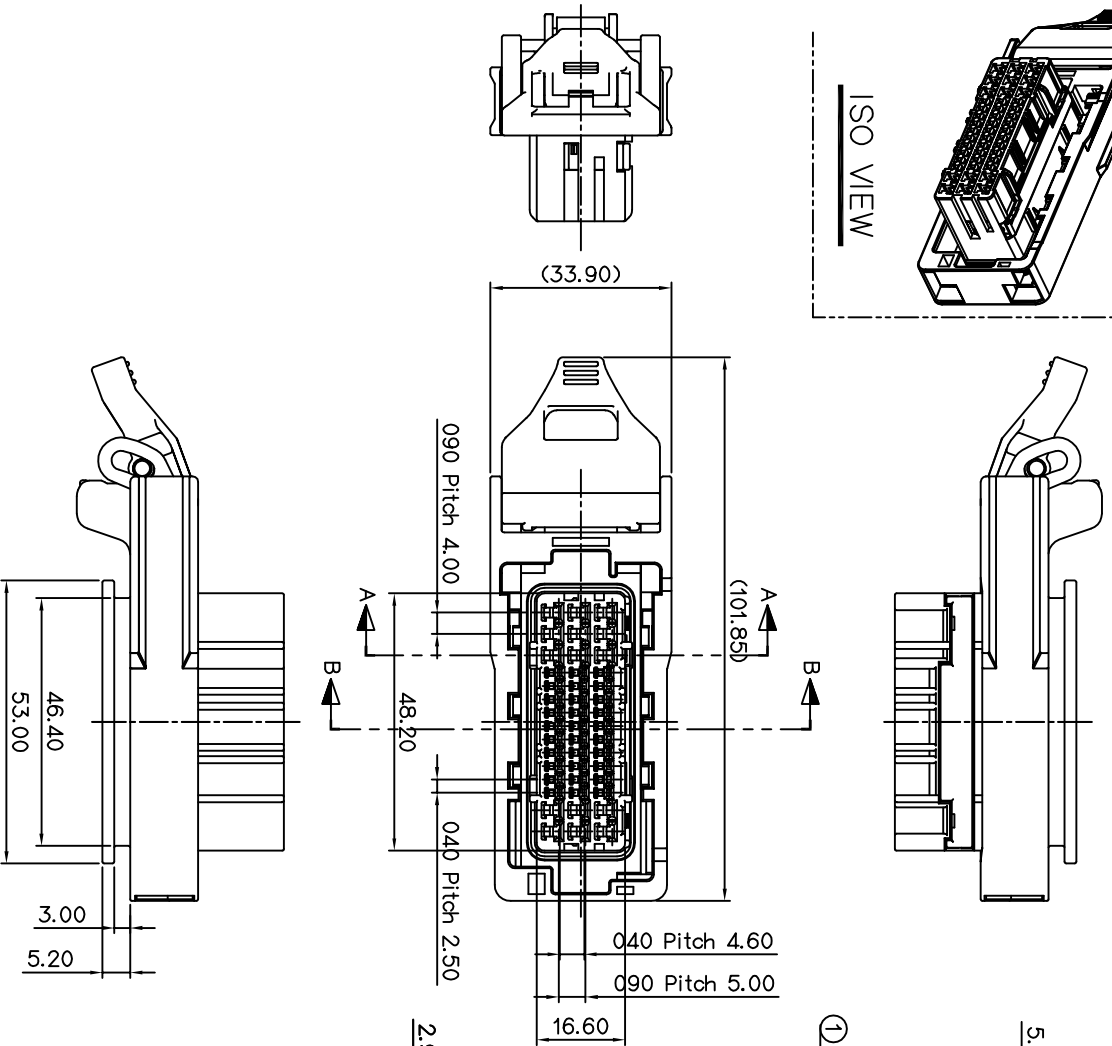
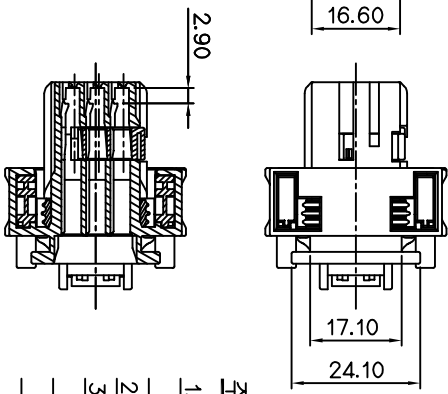


ISO VIEW



SECTION A-A
(090)

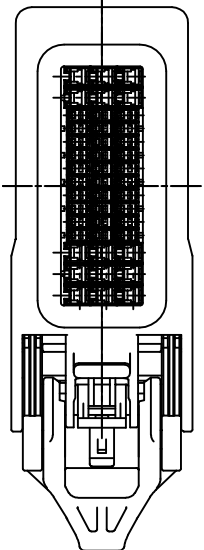


SECTION B-B
(040)

GENERAL TOLERANCE (HOUSING)					USED ON
10MAX	50MAX	100MAX	250MAX	250VR	ANGLE
±0.2	±0.3	±0.55	±1.4	±30'	ECCENT
					0.1

NOTE

1. APPLICABLE TERMINAL :
ST731108, 1046, 1047, 0677-3 (090)
ST731007, 0770, 0960-3 (040)
2. APPLICABLE CONNECTOR : MG654391
3. 6 HAZARDOUS SUBSTANCES IN PARTS (LEAD, MERCURY, CADMIUM, HEXAVALENT CHROMIUM, PBBs, PBDEs) SHALL NOT EXCEED THE MAXIMUM PERMISSIBLE CONCENTRATION PRESCRIBED UNDER EU ELV DIRECTIVE & RoHS REGULATION.



주 기

1. 적용 TERMINAL: ST731108, 1046, 1047, 0677-3 (090)
ST731007, 0770, 0960-3 (040)
2. 적용 CONNECTOR : MG654391
3. 제품내 함유된 6대 유해물질 (납, 수은, 카드뮴, 6가 크롬, PBBs, PBDEs)은 EU ELV 지침 및 RoHS 법규에서 지정한 최대 허용 농도를 초과해서는 안된다.

DIMENSIONS IN MM

NO.	PART NAME	PART NO.	MATERIAL	COLOR	QTY.
1	FRONT DOOR 45F HOUSING	MG674430	PBT	BLACK	1
2	FRONT DOOR 45F SPACER	MG674431	PBT	NATURAL	1
3	FRONT DOOR 45F LEVER	MG675127	PP+GF20%	BLACK	1
4	FRONT DOOR 45F SLIDE RAIL	MG674433	POM	BLACK	2
5	FRONT DOOR 45F INNER SEAL	R602206	SILICON	RED	1

LTR		CHK		DATE		MATERIAL		FINISH		WIRE RANGE		INSULATION		SCALE		PART NO.	
DR.	SHIN.S.H	2010.05.28	CHK	DR.	CHK	APP.	APP.	SEE TABLE	SEE TABLE	SEE TABLE	SEE TABLE	SEE TABLE	SEE TABLE	SEE TABLE	1/1	MG644902	FRONT DOOR 45F ASSY (B)
REVISION RECORD																	

ISSUE MARK

KET KOREA ELECTRIC
TERMINAL CO., LTD.