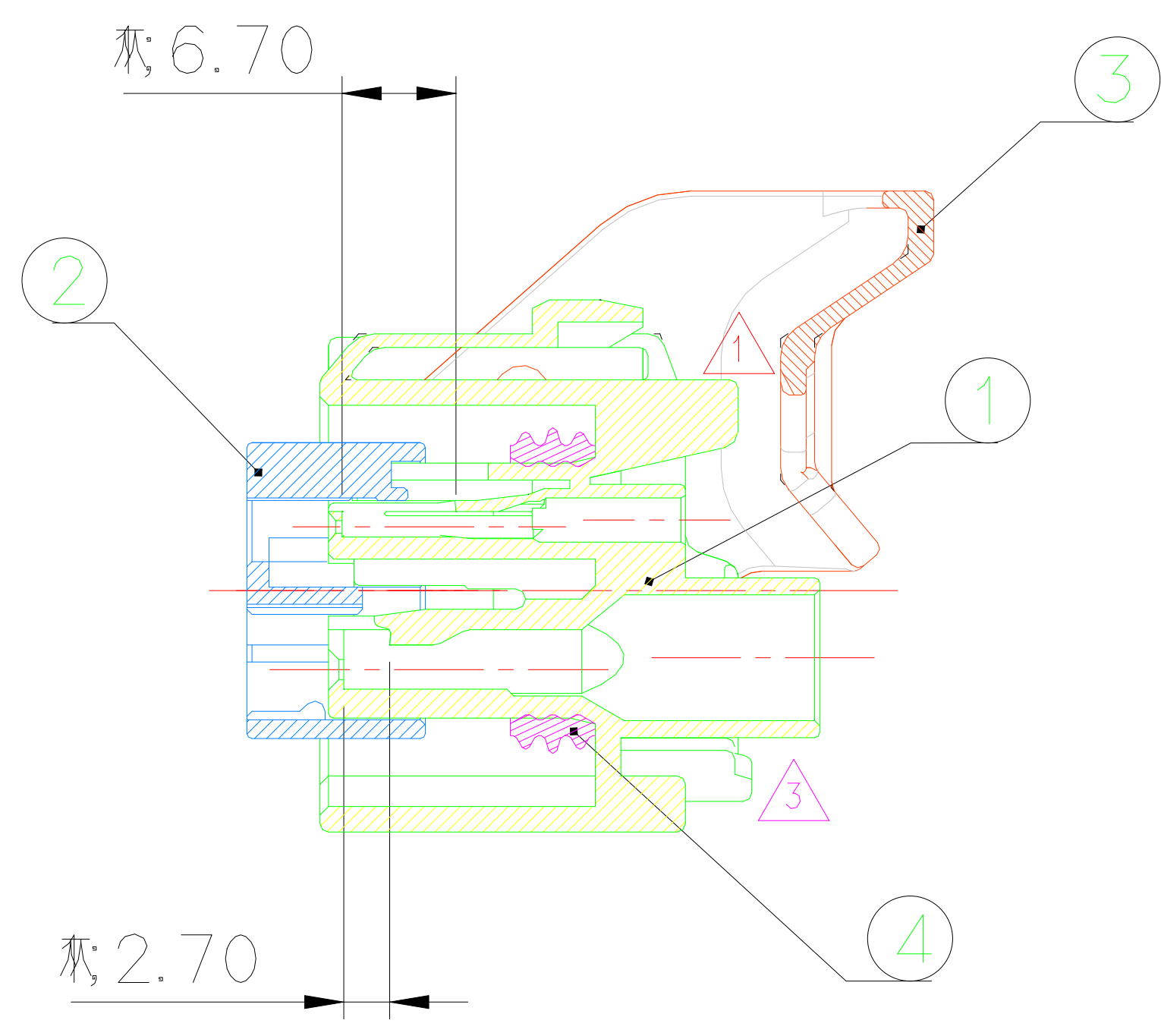
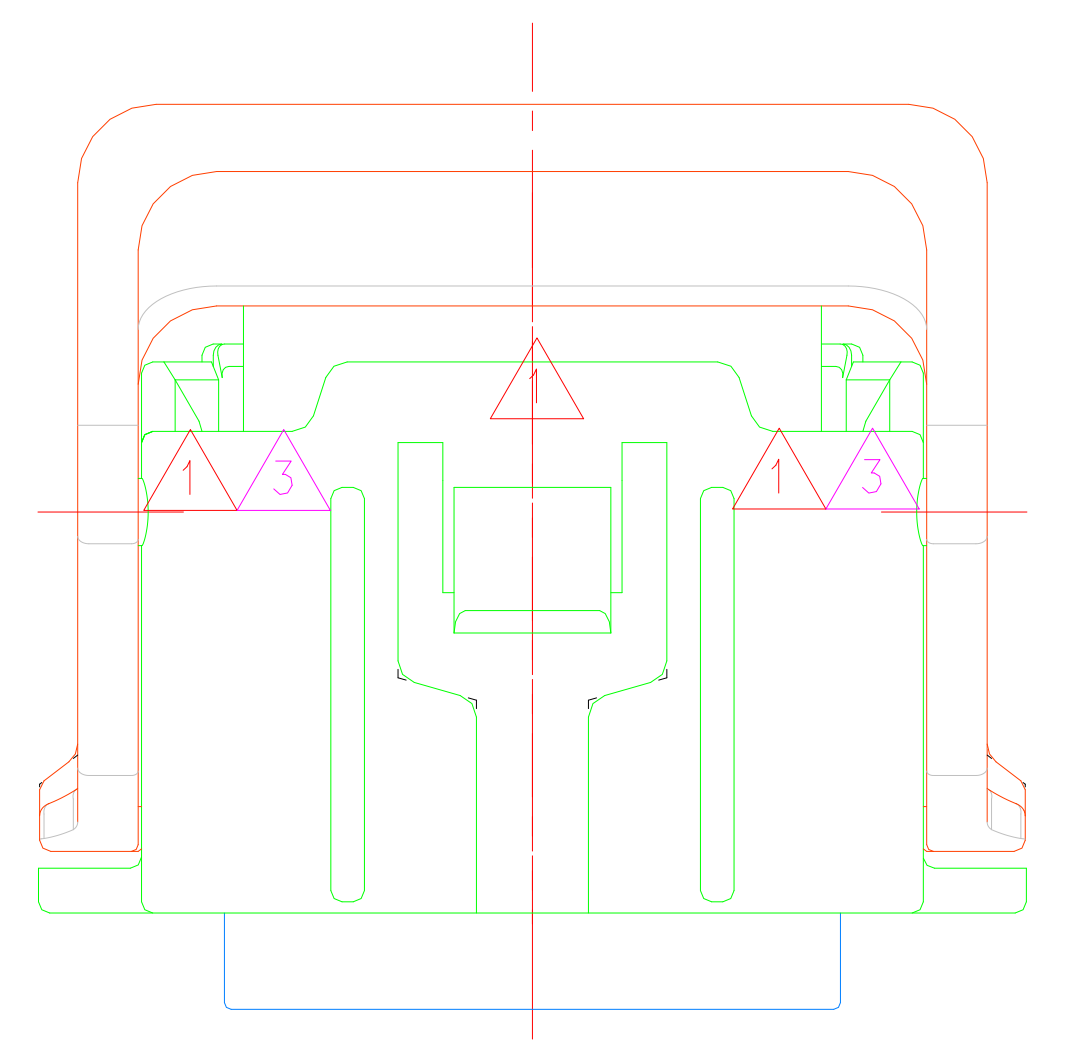


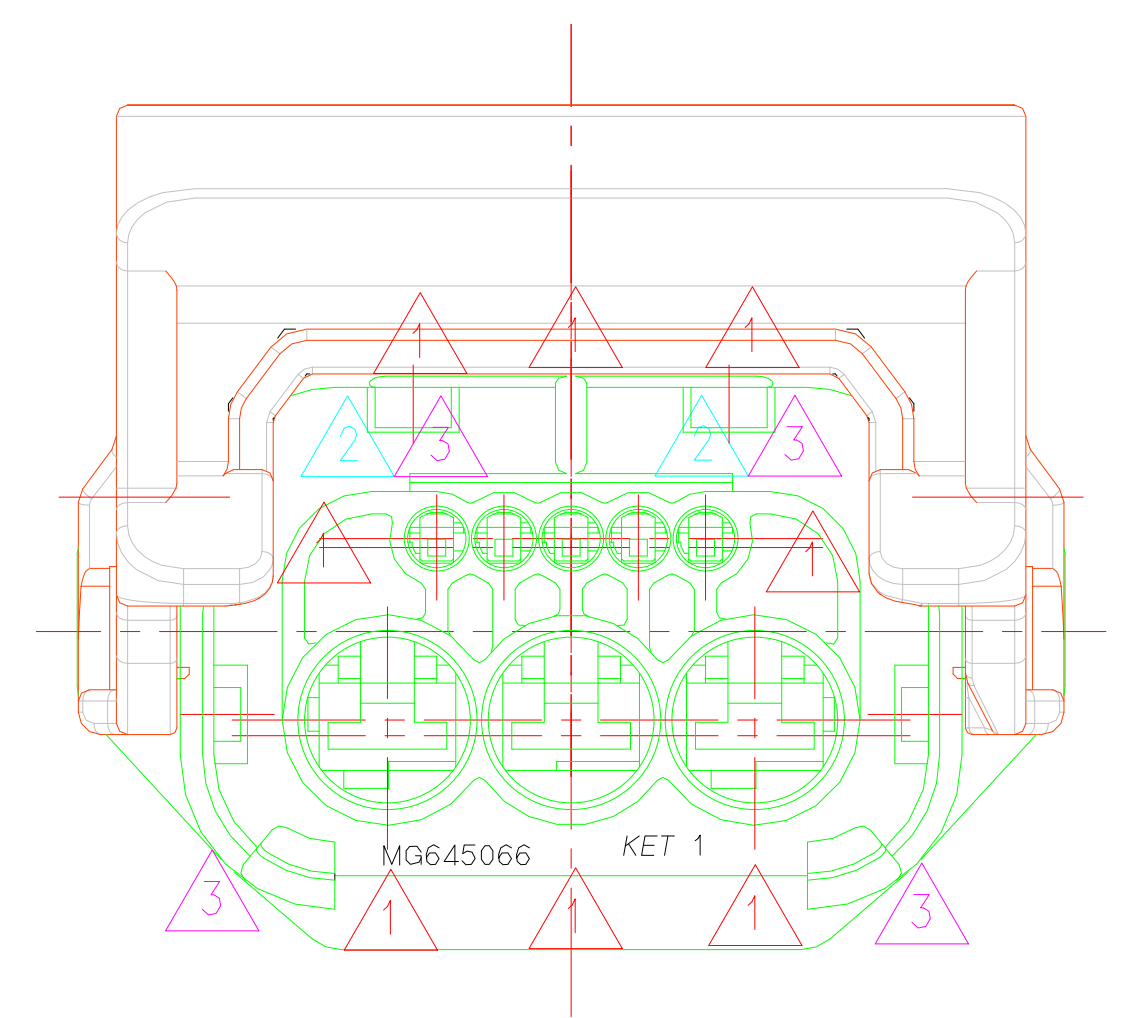
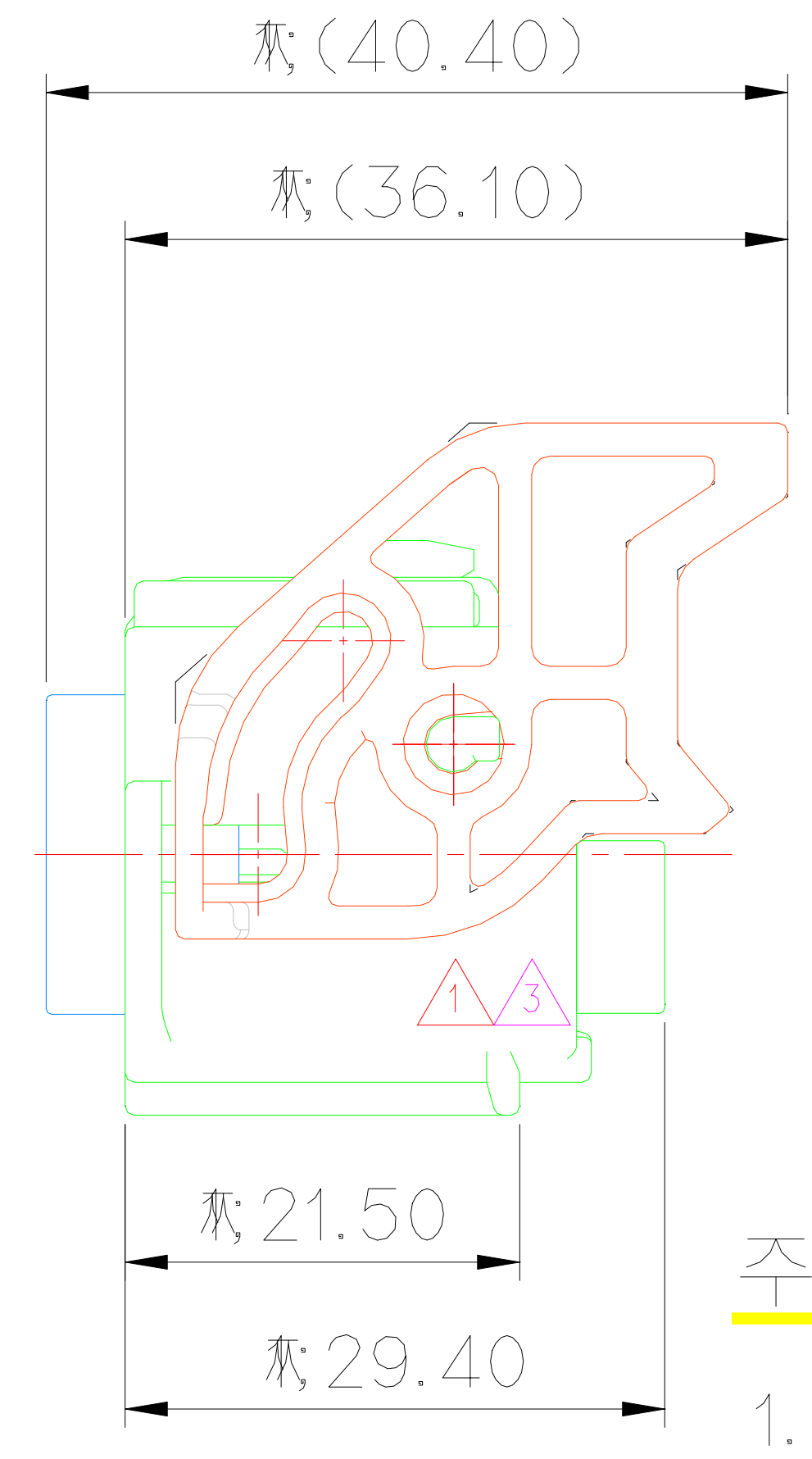
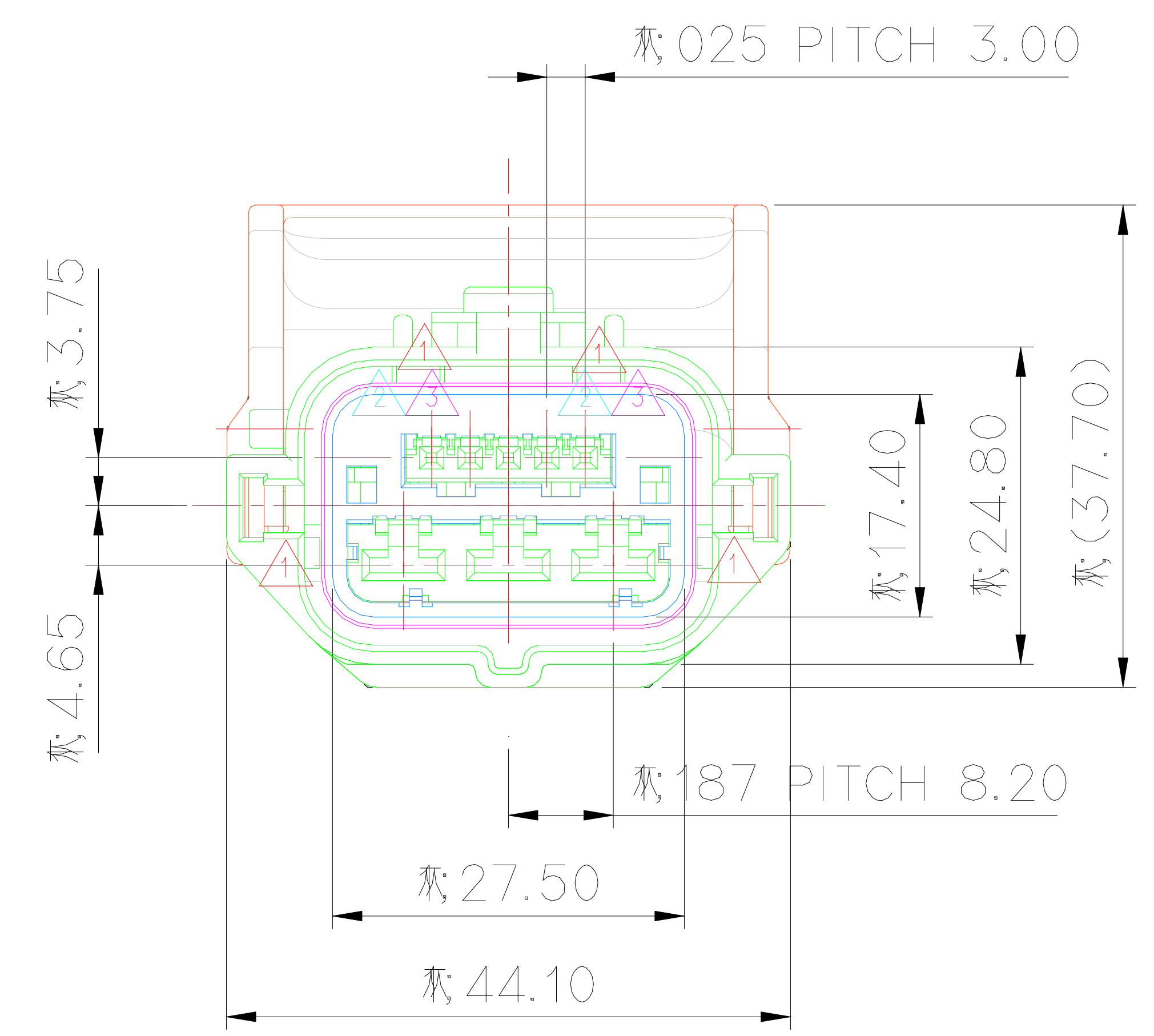
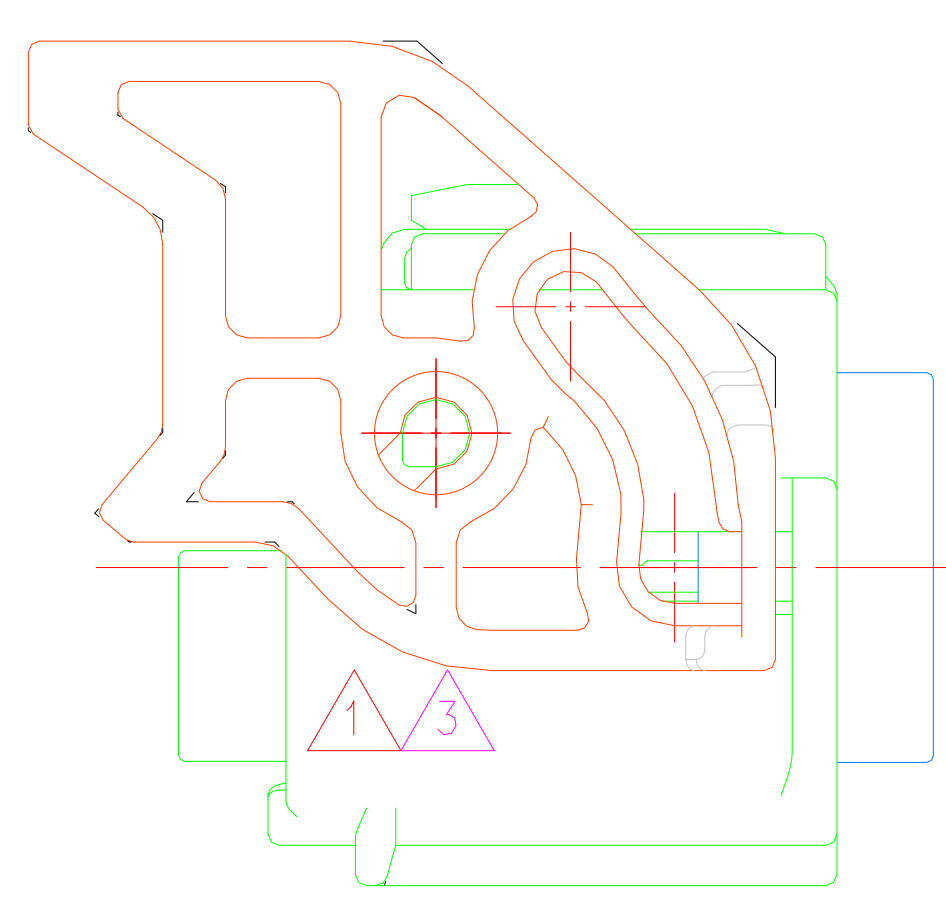
ISO VIEW



| GENERAL TOLERANCE (HOUSING) |       |        |        |       |       |        | USED ON |
|-----------------------------|-------|--------|--------|-------|-------|--------|---------|
| 10MAX                       | 50MAX | 100MAX | 250MAX | 250VR | ANGLE | ECCENT |         |
| ±0.2                        | ±0.3  | ±0.55  | ±0.95  | ±1.4  | ±30'  | 0.1    |         |

NOTE

1. APPLICABLE TERMINAL : ST730962, 963-3 (025)  
ST730715, 716, 717-3 (187)
2. APPLICABLE WIRE SEAL : MG683292, 293 (025)  
MG681367, 370, 371, 372 (187)
3. APPLICABLE DUMMY SEAL : MG683290 (025)  
MG681373 (187)
- △ 4. APPLICABLE REAR COVER : MG635605
5. 6 HAZARDOUS SUBSTANCES IN PARTS (LEAD, MERCURY, CADMIUM, HEXAVALENT, CHROMIUM, PBBs, PBDEs) SHALL NOT EXCEED THE MAXIMUM PERMISSIBLE CONCENTRATION PRESCRIBED UNDER EU ELV DIRECTIVE & RoHS REGULATION.



주 기

1. 적용 TERMINAL : ST730962, 963-3 (025)  
ST730715, 716, 717-3 (187)
2. 적용 WIRE SEAL : MG683292, 293 (025)  
MG681367, 370, 371, 372 (187)
3. 적용 DUMMY SEAL : MG683290 (025), MG681373 (187)
- △ 4. 적용 REAR COVER : MG635605
5. 제품내 함유된 6대 유해물질 (납, 수은, 카드뮴, 6가크롬, PBBs, PBDEs)은 EU ELV 지침 및 RoHS 법규에서 지정한 최대 허용 농도를 초과해서는 안된다.

ISSUE MARK

| NO. | PART NAME                        | PART NO. | MATERIAL | COLOR   | QTY. |
|-----|----------------------------------|----------|----------|---------|------|
| 1   | 025187 HYBRID WP 8F HOUSING      | MG675067 | PBT      | BLACK   | 1    |
| 2   | 025187 HYBRID WP 8F FRONT HOLDER | MG675068 | PBT      | NATURAL | 1    |
| 3   | 025187 HYBRID WP 8F LEVER        | MG675069 | PBT+GF30 | BLACK   | 1    |
| 4   | 025187 HYBRID WP 8F INNER SEAL   | R602280  | SILICON  | RED     | 1    |

|                           |            |                  |       |                          |  |
|---------------------------|------------|------------------|-------|--------------------------|--|
| MATERIAL                  |            | SEE TABLE        |       | KETA KOREA ELECTRIC      |  |
| FINISH                    |            | SEE TABLE        |       | TERMINAL CO., LTD.       |  |
| WIRE RANGE                |            | CLASS            |       | KETA ENGINEERED          |  |
| INSULATION                |            | TYPE             |       | PART NO. MG645066        |  |
| TOLERANCE EXCEPT AS NOTED |            | SCALE 1/1        |       | PART NAME                |  |
| SEE TABLE                 |            | 1/1              |       | 025187 HYBRID WP 8F ASSY |  |
| REVISION RECORD           |            | DATE             |       | DATE                     |  |
| DR. SHIN.S.H              | 2010.05.12 | CHK. H.K.S       | 05/12 |                          |  |
| CHK. J.Y.S                | 05/12      | APP. [Signature] | 05/12 |                          |  |