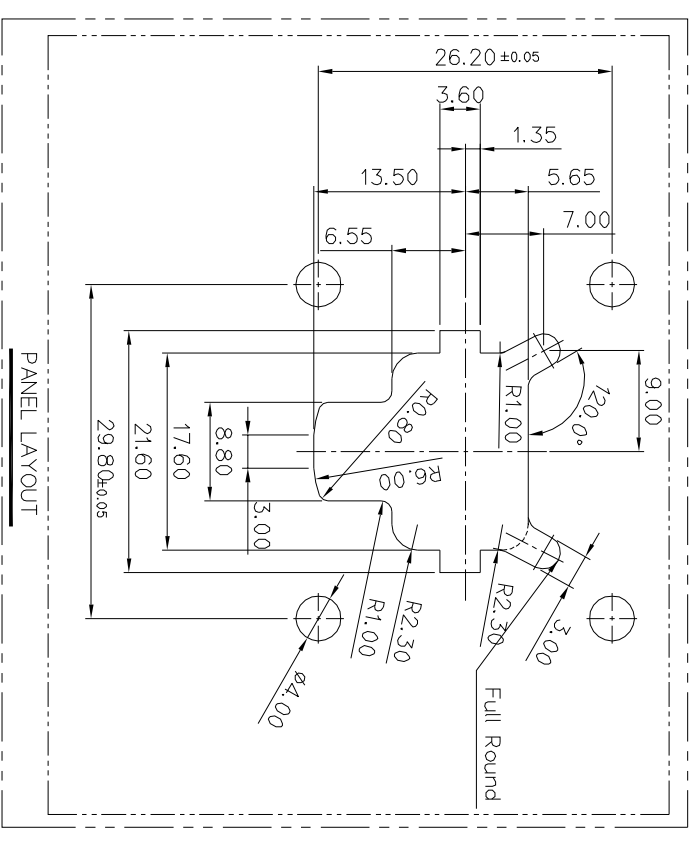
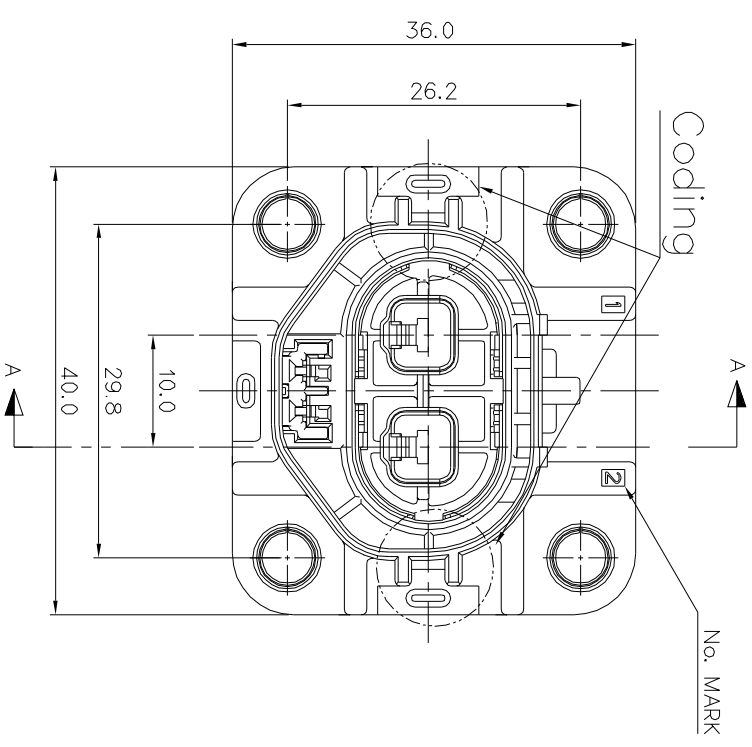


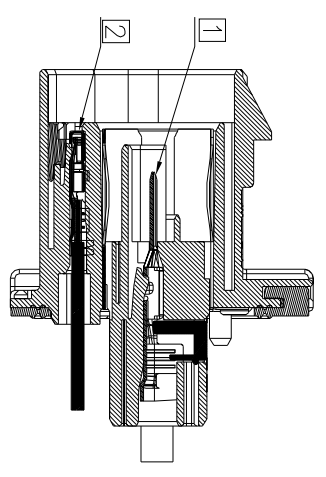
GENERAL TOLERANCE (HOUSING)					USED ON
10MAX	50MAX	100MAX	250MAX	250VR	ANGLE
±0.2	±0.3	±0.55	±0.95	±1.4	±30'
					0.1



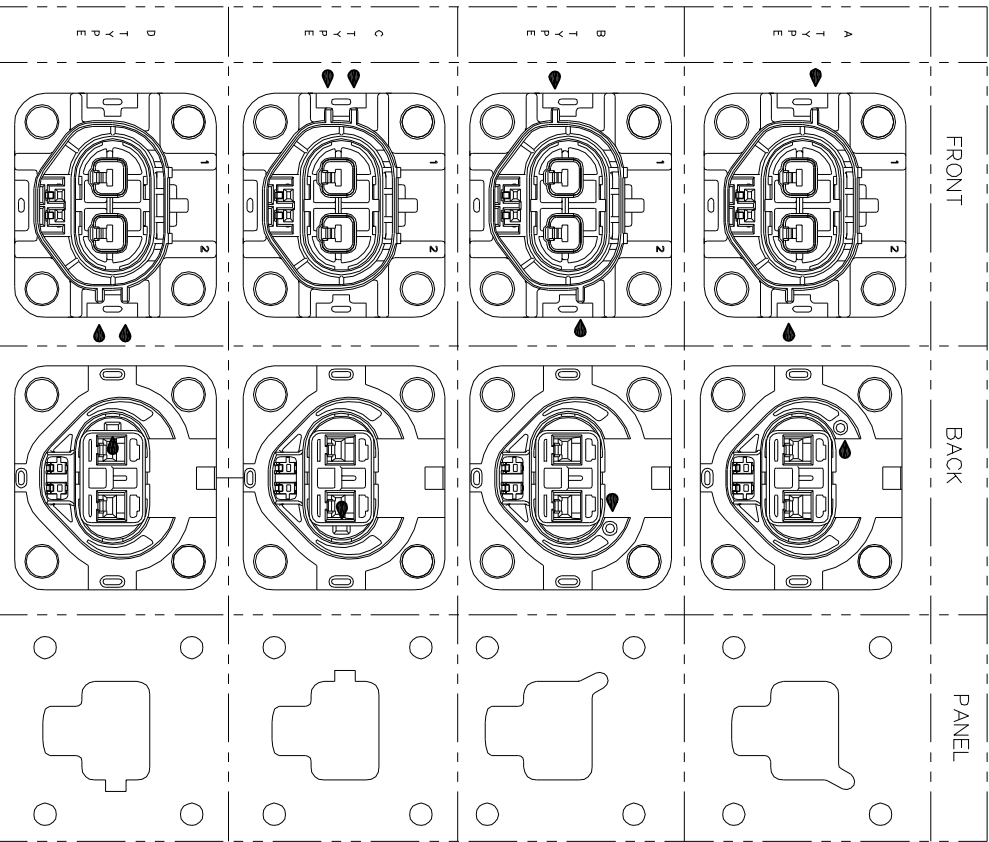
NO.	ISO - VIEW	PART NAME	MATERIAL	FINISH	U/S
①		HVSC 20A 2M Device Housing A Type HVSC 20A 2M Device Housing B Type HVSC 20A 2M Device Housing C Type HVSC 20A 2M Device Housing D Type	EP	ORANGE GRAY BROWN BLUE	1EA
②		HVSC 20A 2M Device 280 TPA Housing	EP	BLACK	1EA
③		HVSC 20A 2M Device 064 TPA Housing	EP	YELLOW	1EA
④		HVSC 20A 2M Device Shield Shell	COPPER	Sn	1EA
⑤		HVSC 20A 2M Device Seal	SILICONE	RED	1EA
⑥		HVSC 20A 2M Device Bush	STEEL	-	4EA

ASSEMBLY SUB PART

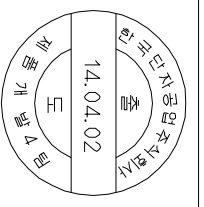
NO.	ISO VIEW	PART NAME	PART NO.	MATERIAL	FINISH	U/S
①		280 mde TML	ST741287-3	COPPER	Pre-Tin	2EA
②		064 Female TML	ST731068-3	COPPER	Pre-Tin	2EA



Application Type	Connector P/N	Coding Type	Color
HVSC 20A 2M Connector A Type	MG645705	A	ORANGE
HVSC 20A 2M Connector B Type	MG645706	B	GRAY
HVSC 20A 2M Connector C Type	MG645707	C	BROWN
HVSC 20A 2M Connector D Type	MG645713	D	BLUE



NOTE
1. MUST BE FREE OF BURR, WELDLINE
AND IMPERFECTION THAT AFFECT FUNCTION.



DR	CHK	H.H.OH	H.J.MA	DATE	SCALE	PART NO.
DR	CHK	H.H.OH	H.J.MA	14.04.02	2/1	MG645705,06,07,13

ISSUE MARK
KOREA ELECTRIC TERMINAL CO., LTD.
HVSC 20A 2P