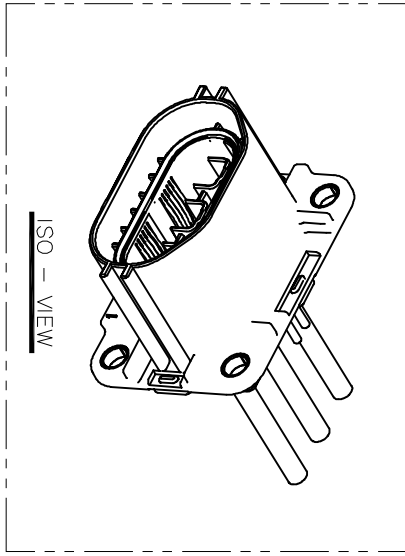


Application Type	Wire Harness P/N	Connector P/N	Coding Type	Color	Matching P/N Connector
HVSC 20A 3M W/H ASSY TYPE(A)	MG6655689	MG645708	A	Orange	MG655661
HVSC 20A 3M W/H ASSY TYPE(B)	MG6655690	MG645709	B	Gray	MG655662
HVSC 20A 3M W/H ASSY TYPE(C)	MG6655691	MG645710	C	Brown	MG655663
HVSC 20A 3M W/H ASSY TYPE(D)	MG6655692	MG645711	D	Blue	MG655664

NO.	ISO - VIEW	PART NAME	PART NO.	MATERIAL	FINISH	U/S
1		HVSC 20A 3M DEVICE HOUSING		EP	-	1EA
2		HVSC 20A 3M Device 280 TPA HOUSING		EP	BLACK	1EA
3		HVSC 20A 3M DEVICE 040III TPA HOUSING		EP	YELLOW	1EA
4		HVSC 20A 3M Device Shield Shell		COPPER	Sn	1EA
5		HVSC 20A 3M DEVICE SEAL		SILICONE	RED	1EA
6		HVSC 20A 2M DEVICE BUSH		STEEL	-	4EA

NO.	ISO - VIEW	PART NAME	PART NO.	MATERIAL	FINISH	U/S
1		280 male TML	ST7741287-3	COPPER	TIN	3EA
2		040III Female TML	ST7307770-3	COPPER	TIN	3EA
3		20A 3M 040III REAR HOLDER	MG635634-5	EP	-	1EA
4		040 Wire(0.5sq NON-Shield)		-	-	-
5		280 Wire(3.0sq NON-Shield)		-	-	-

GENERAL TOLERANCE						USED ON
10MAX	50MAX	100MAX	250VR	ANGLE	ECCENT	
±0.2	±0.3	±0.55	±0.95	±1.4	±30'	0.1



	Front	Back	Panel
A TYP E			
B TYP E			
C TYP E			
D TYP E			

NOTE  
1. MUST BE FREE OF BURR, WELDLINE  
AND IMPERFECTION THAT AFFECT FUNCTION.



DR	CHK	NO.	DATE	PART NAME
OH, HH	CHK	NO. JH	DATE	HVSC 20A 3M W/H ASSY TYPE(A-D)