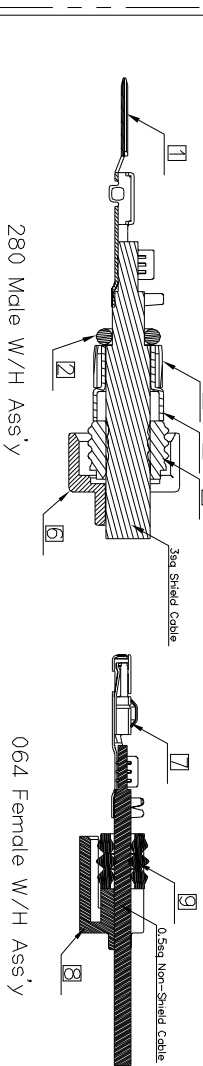


NO.	ISO - VIEW	PART NAME	MATERIAL	FINISH	U/S
1		HVSC 20A 2P Male Outer Housing(A) HVSC 20A 2P Male Outer Housing(B) HVSC 20A 2P Male Outer Housing(C) HVSC 20A 2P Male Outer Housing(D)	EP	ORANGE GRAY BROWN BLUE	1EA
2		HVSC 20A 2P Male Housing	EP	BLACK	1EA
3		HVSC 20A 2P Male Shield Shell	COPPER	Sn	1EA
4		HVSC 20A 2M Device 064 TPA Housing	EP	YELLOW	1EA
5		A CLIP (ø7 KEY HOLE)	EP	BLACK	1EA

△ APPLICABLE SUB PART

NO.	ISO - VIEW	PART NAME	PART No.	MATERIAL	FINISH	U/S
1		280(110) Male TERMINAL	ST741287-3	COPPER	Pre-Tin	2EA
2		HVSC 20A 2M O-Ring	MG685454	SILICONE	BLACK	2EA
3		HVSC 20A 2P Wire Crimp Ring	MG685456	COPPER	Zn	2EA
4		HVSC 20A 2P Wire Support Ring	MG685455	COPPER	Zn	2EA
5		HVSC 20A 2P 280 Wire Seal	MG685453	SILICONE	RED	2EA
6		HVSC 20A 2P Rearholder	MG635695-2	EP	BLUE	1EA
7		064 Female Terminal	ST731068-3	COPPER	Pre-Tin	2EA
8		HVSC 20A 2P 064 Rearholder	MG635670-2	EP	BLUE	1EA
9		HVSC 20A 2P 064 Wire Seal	MG685440	SILICONE	RED	1EA



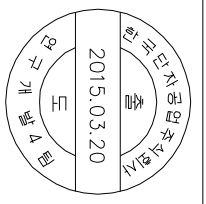
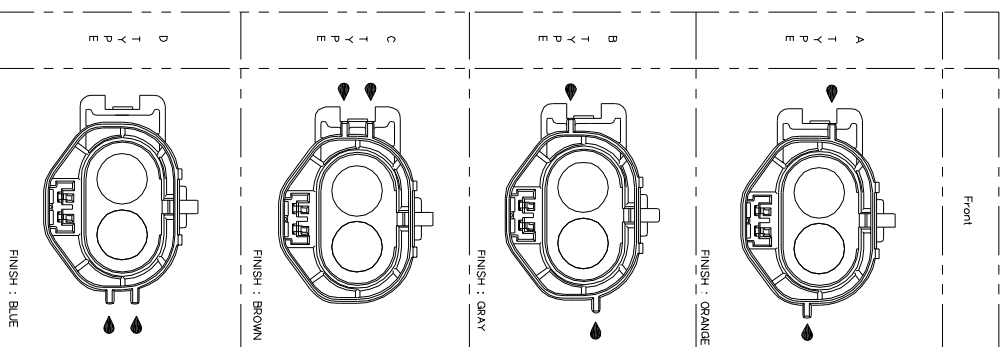
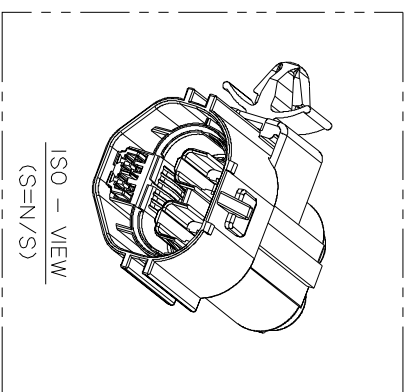
NOTE

1. MUST BE FREE OF BURR, WELDLINE

AND IMPERFECTION THAT AFFECT FUNCTION.

Application Type	Connector P/N	Coding Type	Color	Matching Connector
HVSC 20A 2M W to W type Connector(A)	MG645729	A	Orange	MG655710
HVSC 20A 2M W to W type Connector(B)	MG645730	B	Gray	MG655711
HVSC 20A 2M W to W type Connector(C)	MG645731	C	Brown	MG655712
HVSC 20A 2M W to W type Connector(D)	MG645732	D	Blue	MG655713

GENERAL TOLERANCE					USED ON
±0.2	±0.3	±0.55	±0.95	±1.4	ANGLE
				±30'	ECCENT
					0.1



ISSUE MARK

**KET** KOREA ELECTRIC TERMINAL CO., LTD.

ENGINEERED

WIRE RANGE 3SQ/0.5SQ

CLASS HVSC 20A 2P

TYPE

PART NO. MG645729,730,731,732

SCALE 2/1

REVISION RECORD

DATE

DR OH, HH

CHK

APP MA, JH

CHK KIM, H

PART NAME HVSC 20A 2M W to W type Connector

DESIGN REVISION NO. 0