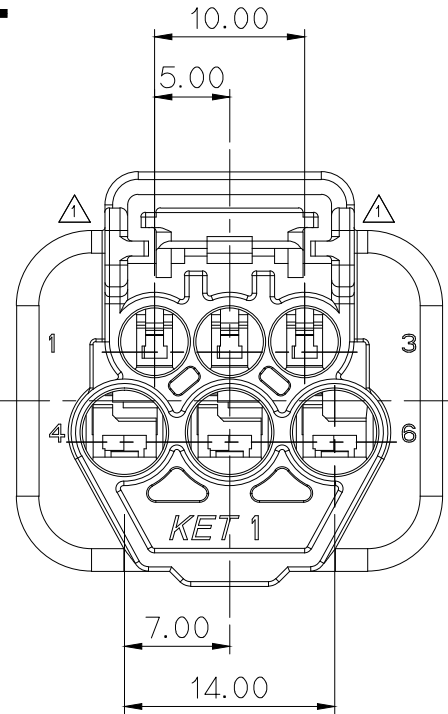


SECTION A-A



GENERAL TOLERANCE (HOUSING)							USED ON
10MAX	50MAX	100MAX	250MAX	250VR	ANGLE	ECCENT	
±0.2	±0.3	±0.55	±0.95	±1.4	±30'	0.1	

NOTE

- MUST BE FREE OF BURR, WELDLINE AND IMPERFECTION THAT AFFECT FUNCTION.
- APPLICABLE TERMINAL(060) : ST731367, ST731368, ST731369
 APPLICABLE TERMINAL(110) : ST731152, ST731153
 APPLICABLE WIRE SEAL(060) : MG685389, MG685390, MG685391
 MG685392, MG685393
 APPLICABLE WIRE SEAL(110) : MG685400, MG685401
 APPLICABLE DUMMY SEAL (060) : MG685394
 APPLICABLE DUMMY SEAL (110) : MG685412
- 6 HAZARDOUS SUBSTANCES IN PARTS (LEAD MERCURY,CADMIUM,HEXAVALENT CHROMIUM, PPBs,PPDEs) SHALL NOT EXCEED THE MAXIMUM PERMISSIBLE CONCENTRATION PRESCRIBED UNDER EU ELV DIRECTIVE & RoHS REGULATION.

주 기

- 기능상 유해한 BURR 및 WELDLINE 등이 없을 것.
- 적용 TERMINAL (060) : ST731367, ST731368, ST731369
 적용 TERMINAL (110) : ST731152, ST731153
 적용 WIRE SEAL (060) : MG685389, MG685390, MG685391
 MG685392, MG685393
 적용 WIRE SEAL (110) : MG685400, MG685401
 적용 DUMMY SEAL (060) : MG685394
 적용 DUMMY SEAL (110) : MG685412
- 제품내 함유된 6대 유해물질 (납,수은,카드뮴,6가크롬, PBBs,PBDEs)은 EU ELV 지침 및 RoHS 법규에서 지정한 최대 허용 농도를 초과해서는 안된다.

APPROVED
 2016-03-07
 KOREA ELECTRIC
 TERMINAL CO., LTD.
 Korea Electric Te
 rminol Co., LTD.

ISSUE MARK

NO.	PART NAME	MATERIAL	PART NO.	FINISH
①	060110 WP 6F HOUSING	PBT	MG675850-5	BLACK
			MG675850	NATURAL
②	060110 WP 6F SIDE HOLDER	PBT+G/F 10%	MG675851	NATURAL
			MG675851-5	BLACK
③	060110 WP 6F INNER SEAL	SILICONE	R602540	RED

MATERIAL	SEE TABLE	KET KOREA ELECTRIC ENGINEERED TERMINAL CO., LTD.
FINISH	SEE TABLE	
WIRE RANGE		CLASS 060
INSULATION		TYPE WP
LTR	REVISION RECORD	PART NO. MG645744
DR.	JSY 2013.03.04	SCALE 2/1
CHK.	CWK 2013.03.04	PART NAME 060110 WP 6F ASSY
APP.	HSH 2013.03.04	
DATE		
CHK.	KMH 2013.03.04	
APP.		
DATE		
TOLERANCE EXCEPT AS NOTED	SEE TABLE	