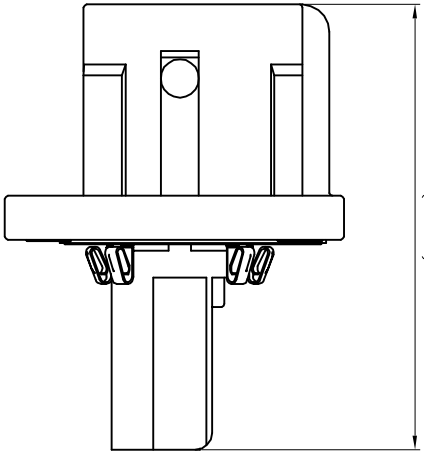
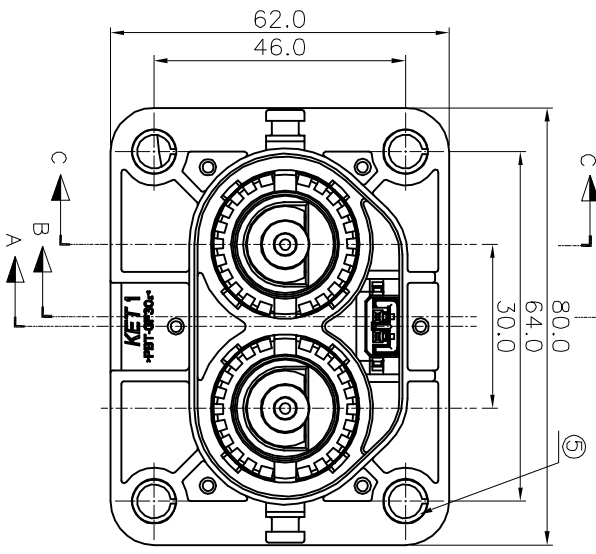
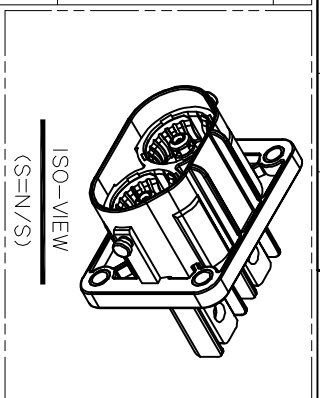


SECTION B-B
REFERENCE (S=N/S)



SECTION C-C
(S=N/S)

TYPE	FRONT-VIEW	BACK-VIEW	PANEL
TYPE A (MG645748-11)			
TYPE B (MG645759-11)			
△ TYPE C (MG645875-11)			
△ TYPE D (MG645876-11)			

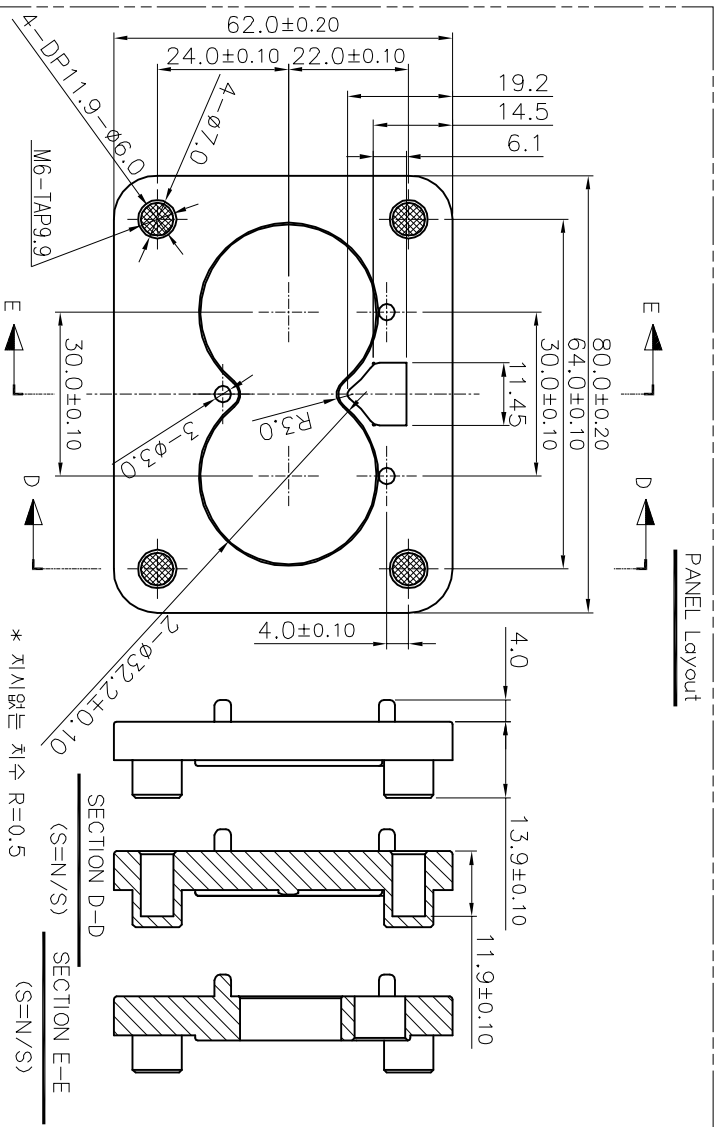


GENERAL TOLERANCE (HOUSING)						USED ON
±0.2	±0.3	±0.55	±0.95	±1.4	±30'	0.1

NO.	ISO-VIEW	PART NAME	MATERIAL	U/S	FINISH
①		HVSC 200A 2M Housing Type A-D	E.P	1EA	ORANGE
②		HVSC 200A 2M Terminal	COPPER	2EA	Ni + Ag
③		HVSC 200A 2M Terminal CAP	E.P	2EA	BLACK
④		M6 SQUARE NUT	STEEL	2EA	Sn
⑤		STEEL BUSH	SUS	4EA	-
⑥		HVSC 200A 2M Shield Shell	COPPER	2EA	Sn
⑦		HVSC 200A 2M Seal	SILICONE	1EA	RED
⑧		HVSC 20A 3M Device 040III TPA Housing	E.P	1EA	YELLOW

ASSEMBLY SUB PART

040III FEMALE TML	S1730770-3	040III MALE TML	S1740771-3
040III FEMALE TML (USE TO ONLY)		040III MALE TML (REFERENCE)	
BE35 0.5 AVSS	040III FEMALE TML	1	040III MALE TML
BE12 0.5 AVSS	040III FEMALE TML	1	040III MALE TML
WIRE SOL MAT	FROM CONNECTOR ID	PIN ID	TO CONNECTOR ID
		PIN ID	APP. CODE

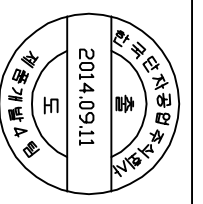


PANEL Layout

NOTE

1. MUST BE FREE OF BURR, WELD LINE AND IMPERFECTION THAT AFFECT FUNCTION.

ISSUE MARK



NO.	ISO-VIEW	PART NAME	MATERIAL	U/S	PART NO.	FINISH
1		HVSC 20A 3M 040III Rear Holder	E.P	1EA	MG65574-5	BLACK

MACHING SUB PART

Application Type	Connector P/N	Coding Type	Color	Matching P/N
HVSC 200A 2M Connector Type A	MG645748-11	A	Orange	MG655717-11
HVSC 200A 2M Connector Type B	MG645759-11	B	Orange	MG655718-11
HVSC 200A 2M Connector Type C	MG645875-11	C	Orange	MG655717-11
HVSC 200A 2M Connector Type D	MG645876-11	D	Orange	MG655718-11

DR	CHK	JHMA	APP	H KM
DR	CHK	JHMA	APP	H KM

MATERIAL	FINISH	WIRE RANGE	INSULATION	SCALE	PART NO.
SEE TABLE	SEE TABLE	SEE TABLE	SEE TABLE	1/1	MG645748-11 / MG645759-11 / MG645876-11 / MG645875-11

△ HVSC 200A 2M Connector Type A-D