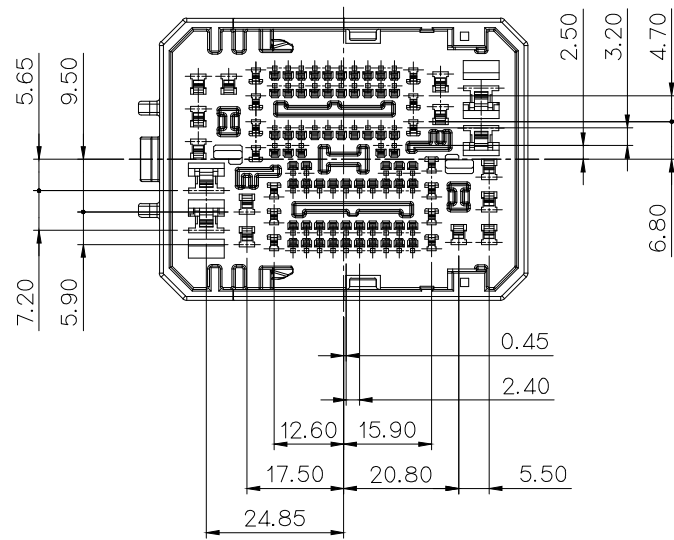
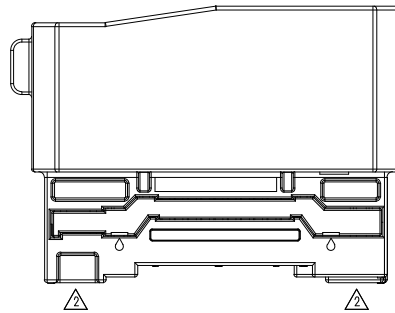
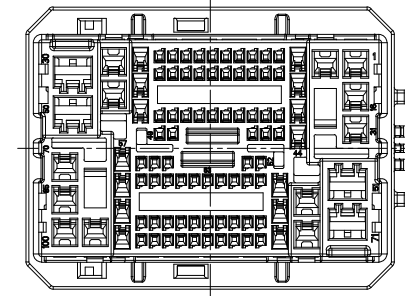
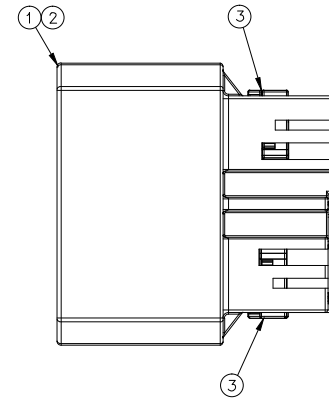
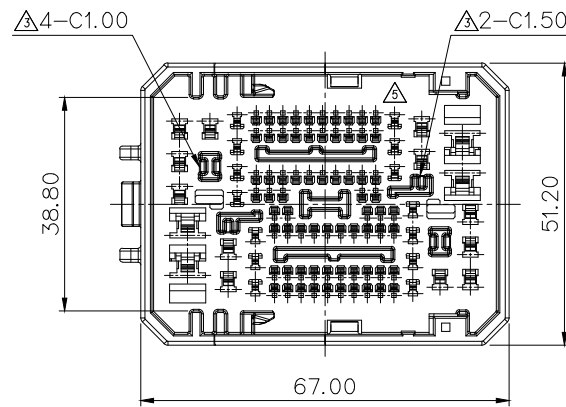
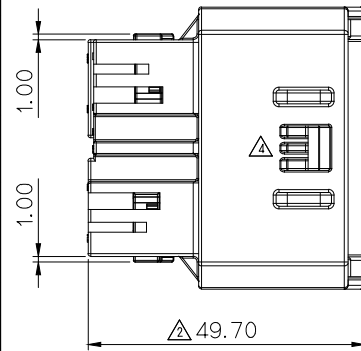


ISO VIEW



PITCH DETAIL

△ NO.	MATERIAL	COLOR
0	P B T	NATURAL
1		RED
2		BLUE
20		JADE
3		YELLOW
4		GRAY
40		DARK GRAY
41		LIGHT GRAY
* 5		BLACK
6		DARK GREEN
7		BROWN
8	LIGHT GREEN	
9	MAGENTA	
11	ORANGE	



025060110250 100M ASSY		△ 025060110250 100M ASSY B	
PART NO.	MG645755	PART NO.	MG646385

NO.		PART NO.	PART NAME	MATERIAL	FINISH	
①	1	MG675878	025060110250 100M HOUSING	PBT	BLACK	
②	-	1	MG677636	025060110250 100M HOUSING B	PBT	BLACK
③	2	2	MG675879	025060110250 100M SPACER	PBT	L/GRAY

MG645755	MG646385
----------	----------

NO.	REVISION	DATE	BY	CHECKED	APP. DATE
△	ECO-2009-297	20.09.18	SYS	WDH	CMS
△	ECO-2005-202	20.05.20	SYS	WDH	CMS
△	ECO-1911-316	19.11.22	SYS	WDH	CMS
LTR	REVISION RECORD		DR	CHK	APP.
		12.11.15	SJK	SHJ	11.15
		11.19	CWK	HSJ	11.19

NO.	REVISION	DATE	BY	CHECKED	APP. DATE
△	ECO-1704-099	17.04.10	KJS	KMH	CJH
△	ECO-1604-208	16.04.19	LJJ	CKY	LSY
△	ECO-1501-169	15.02.09	ASY	HYJ	LSY
△	ECO-1402-236	14.02.25	HYJ	SSH	CWK
△	표준 공차 변경	13.12.16	HYJ	LSJ	CWK

MATERIAL	SEE TABLE	SCALE	1/1
FINISH	SEE TABLE	PART NO.	MG645755
WIRE RANGE	CLASS	HYBRID	
INSULATION	TYPE	025/060/110/250	
PART NAME 025060110250 100M ASSY			



△ GENERAL TOLERANCE (HOUSING)										USED ON
10MAX	30MAX	50MAX	70MAX	100MAX	120MAX	250MAX	250VR	ANGLE	ECCENT	
±0.15	±0.20	±0.30	±0.40	±0.50	±0.75	±0.90	±1.4	±30'	0.1	

주 기

- 기능상 유해한 BURR 및 WELDLINE 등이 없을 것.
- 적용 TERMINAL(025II) : ST741345, 741346-3  
적용 TERMINAL(060) : ST741331, 1332, 1333-3  
적용 TERMINAL(110) : ST741285 1286, 1287-3  
적용 TERMINAL(250) : ST741206, 1207, 1208-3  
적용 CONNECTOR : MG655701
- 적용 CLIP : 090II TYPE CLIP
- 제품내 함유된 6대 유해물질 (납,수은,카드뮴,6가크롬, PBBs,PBDEs)은 EU ELV 지침 및 RoHS 법규에서 지정한 최대 허용 농도를 초과해서는 안된다.

NOTE

- MUST BE FREE OF FLASH, WELDLINE AND IMPERFECTION THAT AFFECT FUNCTION.
- APPLICABLE TERMINAL(025II) : ST741345, 741346-3  
APPLICABLE TERMINAL(060) : ST741331, 1332, 1333-3  
APPLICABLE TERMINAL(110) : ST741285 1286, 1287-3  
APPLICABLE TERMINAL(250) : ST741206, 1207, 1208-3  
APPLICABLE CONNECTOR : MG655701
- 적용 CLIP : 090II TYPE CLIP
- 6 HAZARDOUS SUBSTANCES IN PARTS (LEAD, MERCURY, CADMIUM, HEXAVALENT CHROMIUM, PBBs, PBDEs) SHALL NOT EXCEED THE MAXIMUM PERMISSIBLE CONCENTRATION PRESCRIBED UNDER EU ELV DIRECTIVE & RoHS REGULATION.