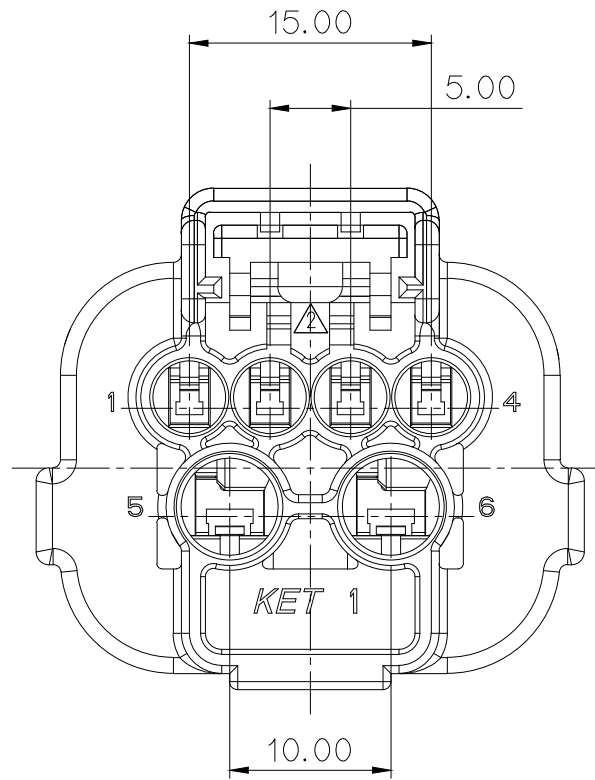
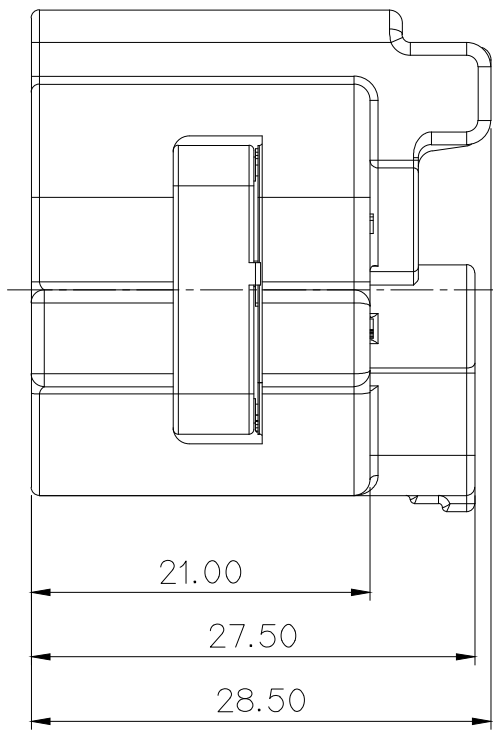
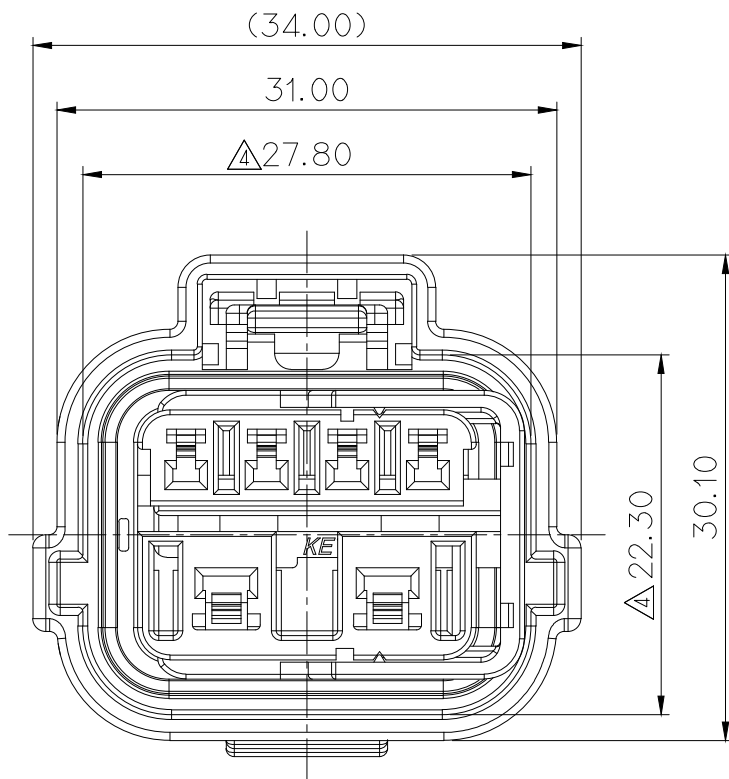


SECTION A-A



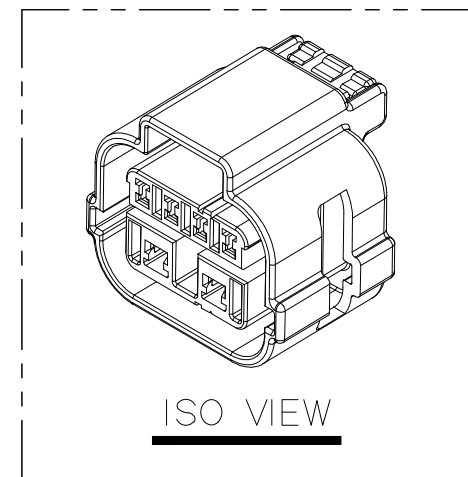
GENERAL TOLERANCE (HOUSING)									USED ON
10MAX	30MAX	50MAX	70MAX	100MAX	120MAX	250MAX	250VR	ANGLE	
±0.15	±0.20	±0.30	±0.40	±0.50	±0.75	±0.90	±1.40	±30'	

NOTE

- MUST BE FREE OF BURR, WELDLINE AND IMPERFECTION THAT AFFECT FUNCTION.
- APPLICABLE TERMINAL(060) : ST731367, ST731368, ST731369  
 APPLICABLE TERMINAL(110) : ST731152, ST731153  
 APPLICABLE WIRE SEAL(060) : MG685389, MG685390, MG685391, MG685392, MG685393  
 APPLICABLE WIRE SEAL(110) : MG680522, MG680470, MG680564  
 APPLICABLE DUMMY SEAL (060) : MG685394  
 APPLICABLE DUMMY SEAL (110) : MG680905
- 6 HAZARDOUS SUBSTANCES IN PARTS (LEAD, MERCURY, CADMIUM, HEXAVALENT CHROMIUM, PPBs, PPDEs) SHALL NOT EXCEED THE MAXIMUM PERMISSIBLE CONCENTRATION PRESCRIBED UNDER EU ELV DIRECTIVE & RoHS REGULATION.

주 기

- 기능상 유해한 BURR 및 WELDLINE 등이 없을 것.
- 적용 TERMINAL (060) : ST731367, ST731368, ST731369  
 적용 TERMINAL (110) : ST731152, ST731153  
 적용 WIRE SEAL (060) : MG685389, MG685390, MG685391, MG685392, MG685393  
 적용 WIRE SEAL (110) : MG680522, MG680470, MG680564  
 적용 DUMMY SEAL (060) : MG685394  
 적용 DUMMY SEAL (110) : MG680905
- 제품내 함유된 6대 유해물질 (납, 수은, 카드뮴, 6가크롬, PPBs, PBDEs)은 EU ELV 지침 및 RoHS 법규에서 지정한 최대 허용 농도를 초과해서는 안된다.



ISSUE MARK

NO.	PART NO.	PART NAME	MATERIAL	FINISH
①	MG675919	060110 WP 6F HOUSING	PBT+GF 10%	BLACK
②	MG675920	060110 WP 6F SIDE HOLDER	PBT+GF 10%	NATURAL
③	R602589	060110 WP 6F INNER SEAL	SILICONE	RED

④	ECO-1510-182 근거 도면 변경	KCS	CKY	LSY	2015.10.14	MATERIAL	SEE TABLE	KET KOREA ELECTRIC TERMINAL CO., LTD.
③	ECO-1504-331 근거 도면 변경	KTH	HYJ	LSY	2015.04.21	FINISH	SEE TABLE	
②	ECO-1503-524 근거 도면 변경	KTH	HYJ	LSY	2015.03.24	WIRE RANGE	CLASS	060110
①	ECO-1412-211 근거 도면 변경	PYP	YSW	BIN	2014.12.18	INSULATION	TYPE	WP
LTR	REVISION RECORD	DR.	CHK.	APP.	DATE	TOLERANCE EXCEPT AS NOTED	SCALE	PART NO.
DR.	SONG. Y.C	2014.07.11	CHK.			SEE TABLE	2/1	MG645762
CHK.	JEONG. B.S	2014.07.11	APP.	BIN. O.I	2014.07.11	PART NAME	060110 WP 6F ASSY	