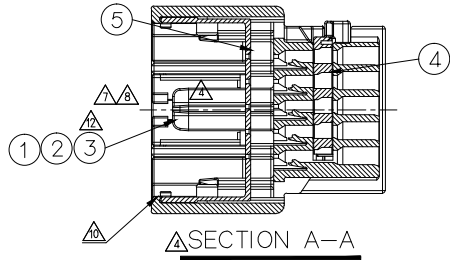
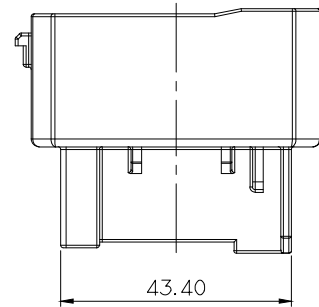
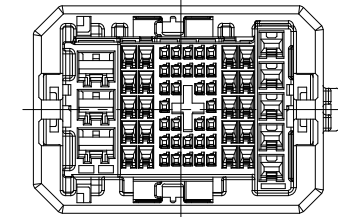
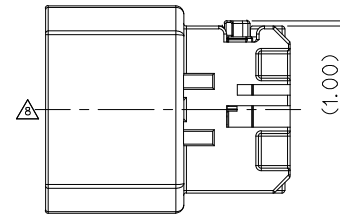
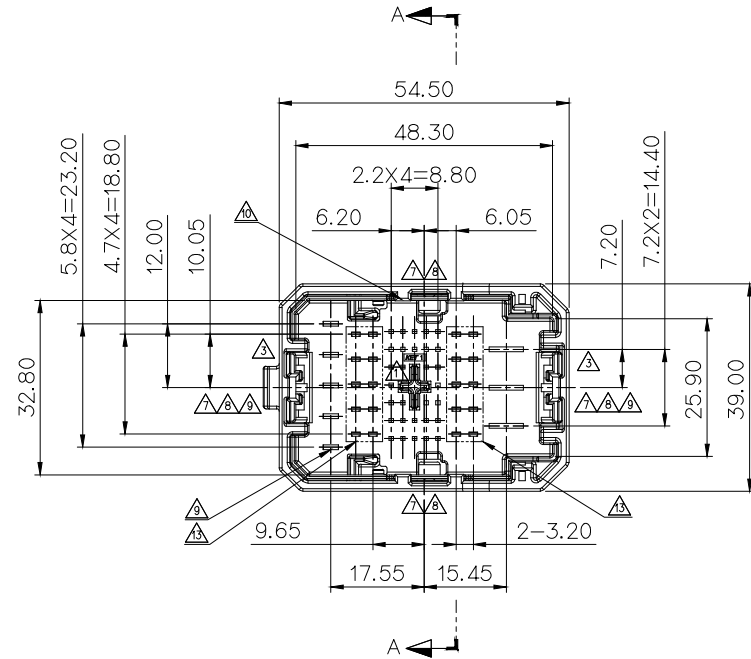
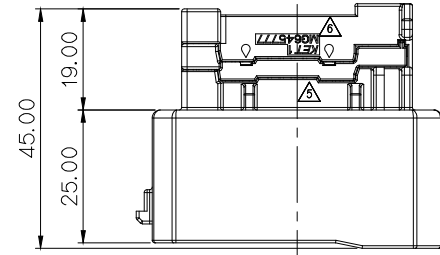
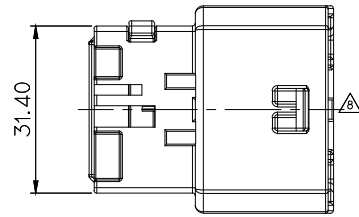


ISO VIEW



SECTION A-A



GENERAL TOLERANCE (HOUSING)										USED ON
10MAX	30MAX	50MAX	70MAX	100MAX	120MAX	250MAX	250VVR	ANGLE	ECCENT	
±0.15	±0.20	±0.30	±0.40	±0.50	±0.75	±0.90	±1.4	±30'	0.1	

025060110250 58M ASSY		025060110250 58M ASSY (BRACKET TYPE)		025060110250 58M ASSY (CLIP TYPE)	
PART NO.	MG645777	PART NO.	MG646282	PART NO.	MG646327

NO.	MATERIAL	COLOR
* 0	P B T	NATURAL
* 1		RED
2		BLUE
20		JADE
3		YELLOW
4		GRAY
40		DARK GRAY
41		LIGHT GRAY
5		BLACK
6		DARK GREEN
7		BROWN
8		LIGHT GREEN
9		MAGENTA
11		ORANGE

주 기

- 기능상 유해한 BURR 및 WELDLINE 등이 없을 것.
- 적용 TERMINAL(025II) : ST741345, 1346
적용 TERMINAL(060) : ST741331, 1332, 1333
적용 TERMINAL(110) : ST741285, 1286, 1287, 373
적용 TERMINAL(250) : ST741206, 1207, 1208, 455
적용 CONNECTOR : MG655731
적용 W/COVER : MG635655
- 제품내 함유된 6대 유해물질 (납,수은,카드뮴,6가크롬, PBBs,PBDEs)은 EU ELV 지침 및 RoHS 법규에서 지정한 최대 허용 농도를 초과해서는 안된다.

NOTE

- MUST BE FREE OF FLASH, WELDLINE AND IMPERFECTION THAT AFFECT FUNCTION.
- APPLICABLE TERMINAL(025II) : ST741345, 1346
APPLICABLE TERMINAL(060) : ST741331, 1332, 1333
APPLICABLE TERMINAL(110) : ST741285, 1286, 1287, 373
APPLICABLE TERMINAL(250) : ST741206, 1207, 1208, 455
APPLICABLE CONNECTOR : MG655731
APPLICABLE W/COVER : MG635655
- 6 HAZARDOUS SUBSTANCES IN PARTS (LEAD, MERCURY, CADMIUM, HEXAVALENT CHROMIUM, PBBs, PBDEs) SHALL NOT EXCEED THE MAXIMUM PERMISSIBLE CONCENTRATION PRESCRIBED UNDER EU ELV DIRECTIVE & RoHS REGULATION.

NO.	QTY	UNIT	PART NO.	PART NAME	MATERIAL	FINISH
①	1	-	MG675982	025060110250 58M HOUSING	PBT	SEE TABLE
②	-	1	MG677365	025060110250 58M HOUSING (BRACKET TYPE)	PBT	SEE TABLE
③	-	-	MG677470	025060110250 58M HOUSING (CLIP TYPE)	PBT	NATURAL
④	1	1	MG675983-41	025060110250 58M SPACER	PBT	L/GRAY
⑤	1	1	MG675984-5	025060110250 58M PLATE	POM	BLACK

MG645777	MG646282	MG646327
----------	----------	----------

APPROVED

2020-12-10

KOREA ELECTRIC
TERMINAL CO., LTD.
Korea Electric Terminal Co., Ltd.

ISSUE MARK

ECO-1910-253	HYJ	CJH	19.10.22	ECO-1509-173	SYL	AJH	LSY	15.09.11	MATERIAL	SEE TABLE	KETA KOREA ELECTRIC TERMINAL CO., LTD.
ECO-1904-195	SYS	WDH	19.04.11	ECO-1507-342	AJH	CKY	LSY	15.07.20	FINISH	SEE TABLE	
ECO-1812-117	PYJ	WDH	18.12.11	ECO-1506-548	KCS	CKY	LSY	15.06.30	WIRE RANGE	CLASS	
ECO-1810-050	HYJ	CJH	18.10.05	ECO-1506-224	SYL	CKY	LSY	15.06.11	INSULATION	TYPE 025060110250	
ECO-1709-343	AJH	HYJ	17.09.25	ECO-1412-440	JSY	HYJ	LSY	14.12.31	SCALE	1/1	
ECO-1704-036	KCS	KMH	17.04.05	ECO-1412-440	DR	CHK	APP	DATE	TOLERANCE EXCEPT AS NOTED	SEE TABLE	
ECO-1610-248	KCS	KMH	16.10.19	ECO-1608-255	SYL	L	LSY	16.08.24	REVISION RECORD		
ECO-2001-108	STJ	KSC	20.01.10	ECO-1608-255	CHK				DR. JSY 2013.05.09		
					CHK				CHK. CWK 2013.05.09		
									APP. HSH 2013.05.09		

ECO-2001-108	STJ	KSC	CJH	20.01.10
--------------	-----	-----	-----	----------

PART NAME 025060110250 58M ASSY