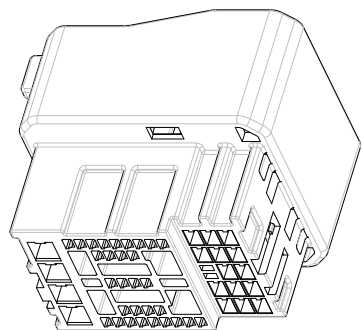
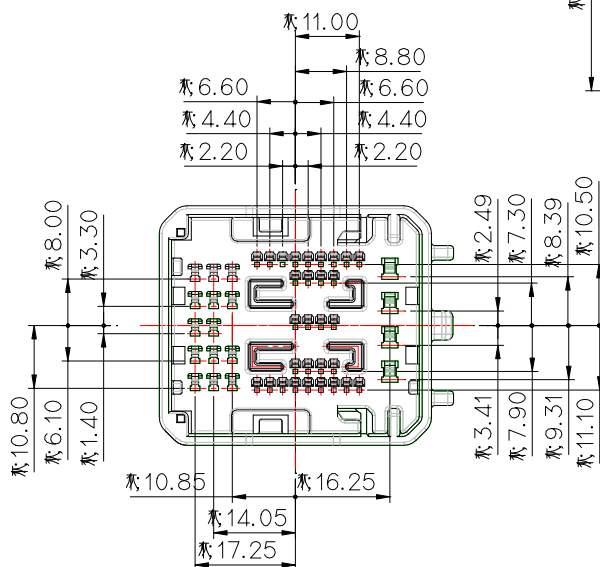
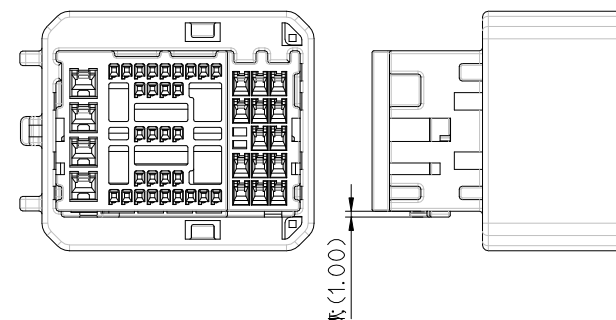
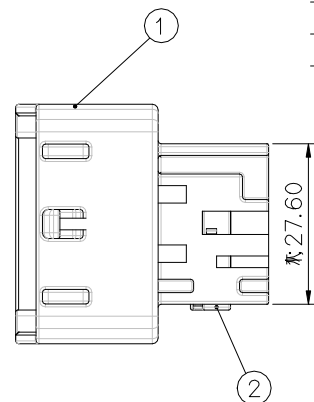
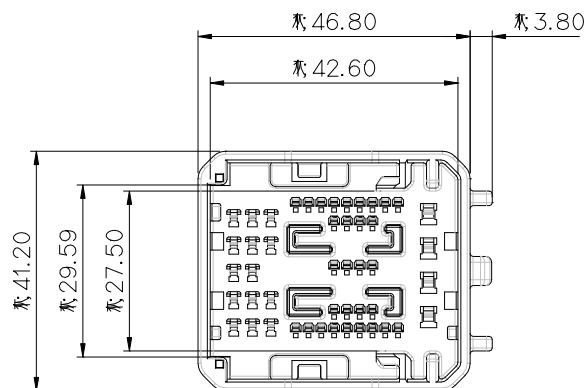
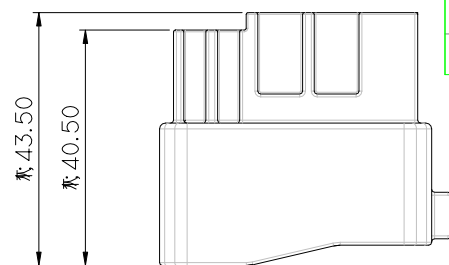


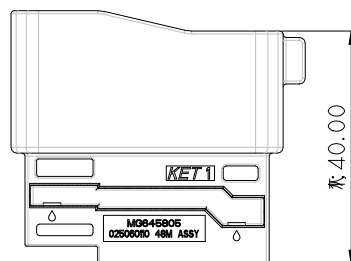
10MAX	30MAX	50MAX	70MAX	100MAX	120MAX	250MAX	250VR	ANGLE	ECCENT	
±0.15	±0.2	±0.3	±0.4	±0.5	±0.75	±0.9	±1.4	±30'	0.1	



ISO VIEW



PITCH DETAIL



주 기

1. 기능상 유해한 BURR 및 WELDLINE 등이 없을 것.
2. 적용 TERMINAL(025II) : ST741345, 1346-3
적용 TERMINAL(060) : ST741331, 1332, 1333-3
적용 TERMINAL(110) : ST741285, 1286, 1287-3
적용 CONNECTOR : MG655763
3. 제품내 함유된 6대 유해물질 (납,수은,카드뮴,6가크롬, PBBs,PBDEs)은 EU ELV 지침 및 RoHS 법규에서 지정한 최대 허용 농도를 초과해서는 안된다.

NOTE

1. MUST BE FREE OF FLASH, WELDLINE AND IMPERFECTION THAT AFFECT FUNCTION.
2. APPLICABLE TERMINAL(025II) : ST741345, 1346-3
APPLICABLE TERMINAL(060) : ST741331, 1332, 1333-3
APPLICABLE TERMINAL(110) : ST741285, 1286, 1287-3
APPLICABLE CONNECTOR : MG655763
3. 6 HAZARDOUS SUBSTANCES IN PARTS (LEAD, MERCURY, CADMIUM, HEXAVALENT CHROMIUM, PBBs, PBDEs) SHALL NOT EXCEED THE MAXIMUM PERMISSIBLE CONCENTRATION PRESCRIBED UNDER EU ELV DIRECTIVE & RoHS REGULATION.

APPROVED

2015-06-25

KOREA ELECTRIC
TERMINAL CO., LTD.
Product Development
Team 1

ISSUE MARK

NO.	PART NAME	PART NO.	MATERIAL	COLOR	QTY.
1	025060110 48M HOUSING	MG676089	PBT	NATURAL	1
2	025060110 48M SPACER	MG676090-41	PBT	L/GRAY	1

					MATERIAL	SEE TABLE		KOREA ELECTRIC
					FINISH	SEE TABLE		TERMINAL CO., LTD.
					WIRE RANGE		CLASS	HYBRID
					INSULATION		TYPE	025/060/110
LTR	REVISION RECORD	DR.	CHK.	APP.	DATE	TOLERANCE EXCEPT AS NOTED	SCALE	PART NO.
DR.	SON.SH	2013.11.10	CHK.			SEE TABLE	1/1	MG645805
CHK.			APP.			PART NAME	025060110 48M ASSY	