

\* Dimensions not indicated : R=0.5  
PANEL Layout

ASSEMBLY SUB PART

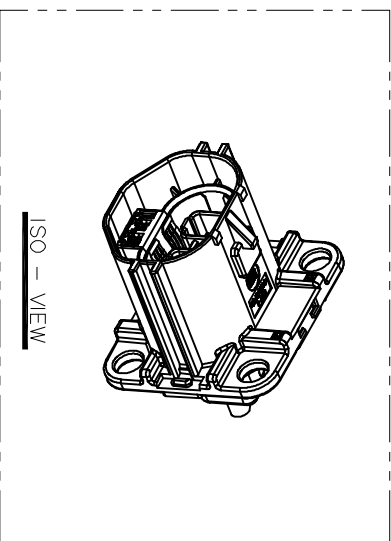
NO.	ISO - VIEW	PART NAME	MATERIAL	FINISH	U/S
1		HVSC 20A 2M FS Device Housing	EP	SEE TABLE	1EA
2		HVSC 20A 2M Device 280 TPA Housing	EP	BLACK	1EA
3		HVSC 20A 2M Device 064 TPA Housing	EP	YELLOW	1EA
4		HVSC 20A 2M Device Shield Shell	COPPER	Sn	1EA
5		HVSC 20A 2M Device Seal	SILICONE	RED	1EA
6		HVSC 20A 2M Device Bush	STEEL	-	4EA

APPLICABLE SUB PART

NO.	ISO - VIEW	PART NAME	PART NO.	MATERIAL	FINISH	U/S
7		064 Female TML	ST1731068-3	COPPER	TIN	2EA
8		280 male TML	ST1741281-3	COPPER	TIN	2EA
9	-	280 Wire (3SQ NON-Shield)	-	-	-	-
10	-	064 Wire (0.5sq NON-Shield)	-	-	-	-

Application Type	Connector P/N	Coding Type	Color	Matching P/N
HVSC 20A 2M FS Connector A Type	MG645814	A	Orange	MG655773
HVSC 20A 2M FS Connector B Type	MG645815	B	Gr-ey	MG655774
HVSC 20A 2M FS Connector C Type	MG645816	C	Brown	MG655775
HVSC 20A 2M FS Connector D Type	MG645817	D	Black	MG655776

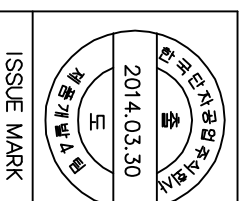
GENERAL TOLERANCE					USED ON
10MAX	50MAX	100MAX	250MAX	250VR	ANGLE
±0.2	±0.3	±0.55	±0.95	±1.4	±30°
					ECCENT
					0.1



	Front	Back	Panel
A			
B			
C			
D			
E			

NOTE

- MUST BE FREE OF BURR, WELDLINE AND IMPERFECTION THAT AFFECT FUNCTION.
- HAZARDOUS SUBSTANCES IN PARTS (LEAD, MERCURY, CADMIUM, HEXAVALENT CHROMIUM, PBBs, PPDES) SHALL NOT EXCEED THE MAXIMUM PERMISSIBLE CONCENTRATION PRESCRIBED UNDER EU ELV DIRECTIVE & RoHS REGULATION.
- COMPLYING WITH KETS-D-511 Rev1.
- COMPLYING WITH IP2XB WHICH IEC-60529, ISO-20653 & ECE R-100 ARE SPECIFYING.



ISSUE MARK  
Korea Electric Terminal Co., Ltd.  
KETS ENGINEERING

DR	CHK	MA	APP	DATE	REVISION RECORD	REVISION	DATE	SCALE	PART NO.	PART NAME
					1/1			1/1	MG645814,815,816,817	HVSC 20A 2M FS Connector A-D Type