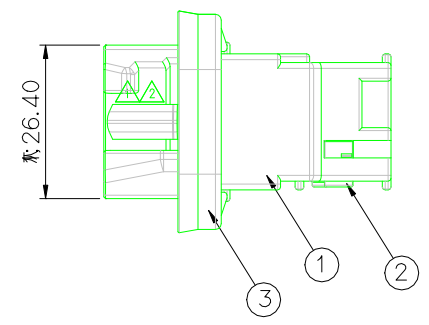
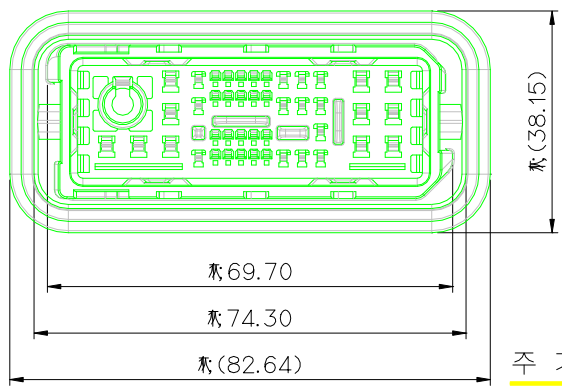
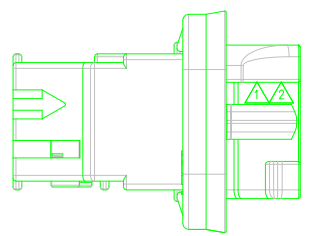
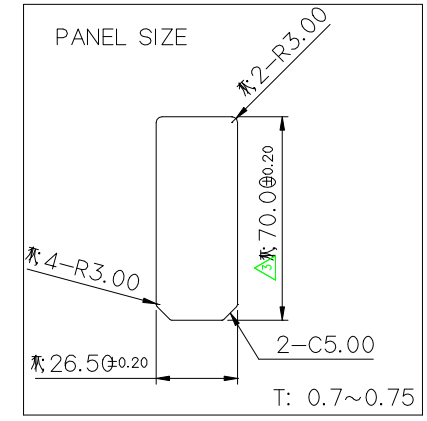
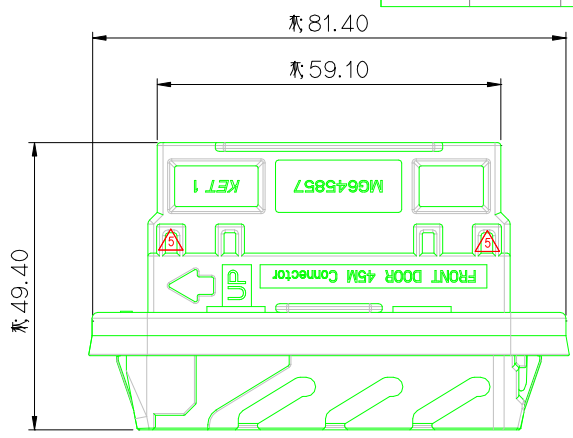
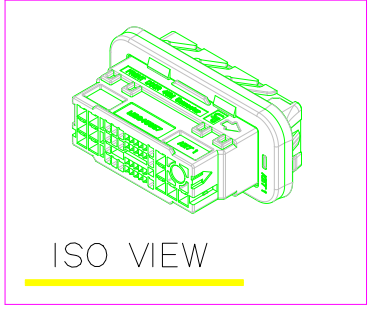


10MAX	30MAX	50MAX	70MAX	100MAX	120MAX	250MAX	250VR	ANGLE	ECCENT
±0.15	±0.2	±0.3	±0.4	±0.5	±0.75	±0.9	±1.4	±30'	0.1



NOTE

- MUST BE FREE OF FLASH, WELDLINE AND IMPERFECTION THAT AFFECT FUNCTION.
- APPLICABLE TERMINAL(025II) : ST741345, 1346-3
 APPLICABLE TERMINAL(060) : ST741331, 1332, 1333-3
 APPLICABLE TERMINAL(110) : ST741285, 1286, 1287-3
 ▲APPLICABLE TERMINAL(FAKRA) : KR30201-20, KR30301-21, KR00404-20
 APPLICABLE CONNECTOR : MG655808
- 6 HAZARDOUS SUBSTANCES IN PARTS (LEAD, MERCURY, CADMIUM, HEXAVALENT CHROMIUM, PBBs, PBDEs) SHALL NOT EXCEED THE MAXIMUM PERMISSIBLE CONCENTRATION PRESCRIBED UNDER EU ELV DIRECTIVE & RoHS REGULATION.

주 기

- 기능상 유해한 BURR 및 WELDLINE 등이 없을 것.
- 적용 TERMINAL(025II) : ST741345, 1346-3
 적용 TERMINAL(060) : ST741331, 1332, 1333-3
 적용 TERMINAL(110) : ST741285, 1286, 1287-3
 ▲적용 TERMINAL(FAKRA) : KR30201-20, KR30201-20, KR00404-20
 적용 CONNECTOR : MG655808
- 제품내 함유된 6대 유해물질 (납, 수은, 카드뮴, 6가크롬, PBBs, PBDEs)은 EU ELV 지침 및 RoHS 법규에서 지정한 최대 허용 농도를 초과해서는 안된다.

APPROVED

2015-06-25

KOREA ELECTRIC
 TERMINAL CO., LTD.
 Connector Development Team 1

ISSUE MARK

NO.	PART NAME	PART NO.	MATERIAL	COLOR	QTY.
1	FRONT DOOR 45M HOUSING	MG676243	PBT	BLACK	1
2	FRONT DOOR 45M SPACER	MG676244	PBT	NATURAL	1
3	FRONT DOOR 45M GASKET	R603204	EPDM	BLACK	1

ECO-1504-412 크기 도면재작성 (Cover 오삽입 방지 돌기 추가)	YTK	KMH	LSY	15.06.01	MATERIAL	SEE TABLE	KOREA ELECTRIC TERMINAL CO., LTD. ENGINEERED	
ECO-1504-412 크기 도면재작성 (FAKRA 단자 플랜 기입)	YTK	KMH	LSY	15.05.26				FINISH
ECO-1504-245 크기 도면재작성 (반월 청분 변경에 따른 도면 하상화)	LJW	KMH	LSY	15.04.15	WIRE RANGE	CLASS		
ECO-1409-204 크기 도면재작성 (HSG 사이즈 축소)	LJW	KMH	LSY	14.12.04	INSULATION	TYPE 025/060/110/FAKRA		
ECO-1409-010 크기 도면재작성 (Panel 간섭부 삭제)	KMH	KMH	LSY	14.09.01				
LTR	REVISION RECORD			DR.	APP.	DATE	TOLERANCE EXCEPT AS NOTED	
DR.	KMH	2012.11.20	CHK.		SCALE	1/1	PART NO.	
CHK.			APP.	LSY	PART NAME		MG645857	
							FRONT DOOR 45M ASSY(FAKRA)	