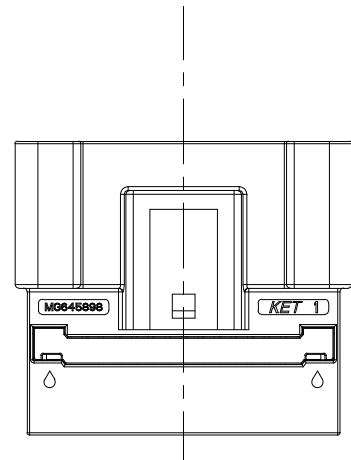
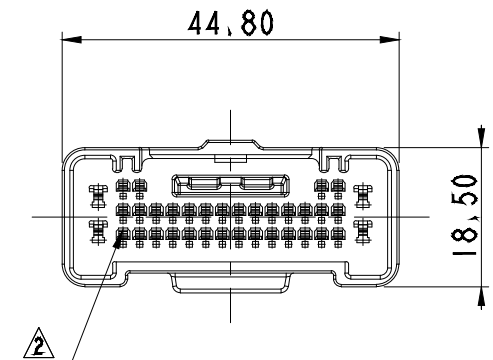
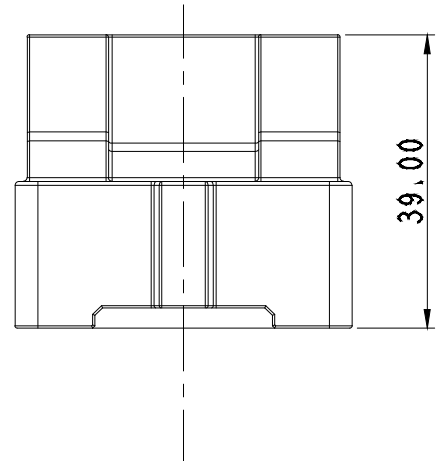
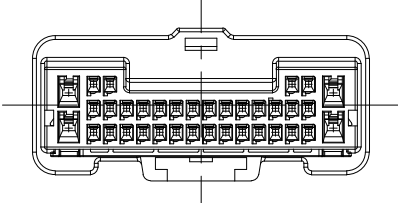
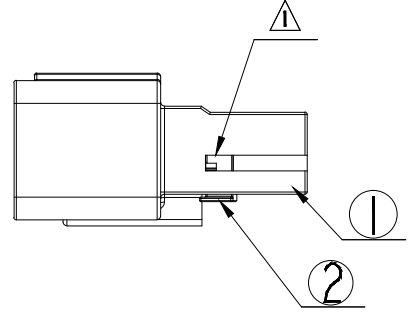


GENERAL TOLERANCE (HOUSING)										USED ON
10 MAX	30MAX	50 MAX	70MAX	100 MAX	120MAX	250 MAX	250 VR	ANGLE	ECCENT	
±0.15	±0.2	±0.3	±0.2	±0.5	±0.75	±0.9	±1.4	±30°	0.1	



- 주 기
1. 기능상 유해한 BURR 및 WELDLINE 등이 없을 것,
 2. 적용 TERMINAL(02511) : ST741345-3, ST741346-3
적용 TERMINAL(N060) : ST741331-3, ST741332-3, ST741333-3
 3. 제품내 함유된 6대 유해물질 (납, 수은, 카드뮴, 6가크롬, PBBs, PBDEs)은 EU ELV 지침 및 RoHS 법규에서 지정한 최대 허용 농도를 초과해서는 안된다,



- NOTE
1. MUST BE FREE OF FLASH, WELDLINE AND IMPERFECTION THAT AFFECT FUNCTION.
 2. APPLICABLE TERMINAL(02511) : ST741345-3, ST741346-3
APPLICABLE TERMINAL(N060) : ST741331-3, ST741332-3, ST741333-3
 3. 6 HAZARDOUS SUBSTANCES IN PARTS (LEAD, MERCURY, CADMIUM, HEXAVALENT CHROMIUM, PBBs, PBDEs) SHALL NOT EXCEED THE MAXIMUM PERMISSIBLE CONCENTRATION PRESCRIBED UNDER EU ELV DIRECTIVE & RoHS REGULATION.

APPROVED

2019-11-06

KOREA ELECTRIC
TERMINAL CO., LTD.
Korea Electric Te
rminal Co., LTD.

ISSUE MARK

NO	PART NAME	PART NO	MATERIAL	COLOR	Q'TY
1	025060 36M HOUSING	MG676369	PBT	NATURAL	1
2	025060 36M SPACER	MG676370	PBT	L/GRAY	1

MATERIAL	SEE TABLE	KOREA ELECTRIC TERMINAL CO., LTD.
FINISH	SEE TABLE	
WIRE RANGE	-	CLASS 025/060
INSULATION	-	TYPE 비방수
TOLERANCE EXCEPT AS NOTED	SEE TABLE	SCALE 1/1
REVISION RECORD	DR. KJH 2014, 12, 18 CHK. HYJ 2014, 12, 23	APP. LSY 2014, 12, 23
PART_NAME	025060 36M ASSY	