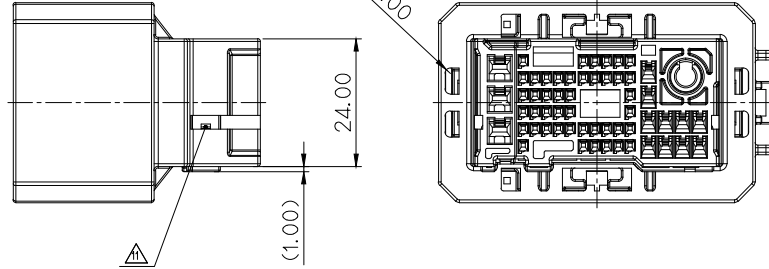
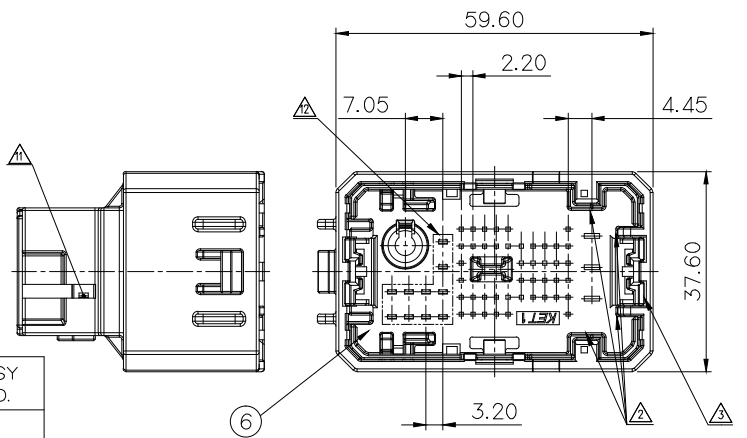
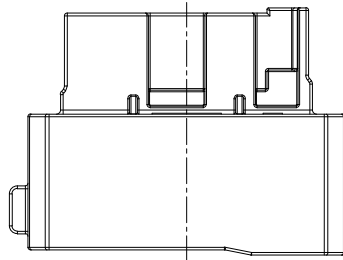


ISO VIEW



△ FAKRA TM'L별 적용 HS'G ASS'Y PART NO.

FAKRA TM'L 기준	FAKRA TM'L PART NO.	HS'G ASSY PART NO.
가공형	MALE KR30301-20 (Au+Sn PLATE) KR30201-20 KR00404-20	MG645912
	FEMALE KR20301-20 (Au+Sn PLATE) KR20202-20 KR00404-20	MG656782
프레스형	MALE KR30301-20 (Au+Sn PLATE) KR30202-20 KR00406-20 △KR00408-20	MG646224 △MG646384
	FEMALE KR20301-20 (Au+Sn PLATE) KR20203-20 KR00406-20 △KR00408-20	MG656782

주 기

- 1.기능상 유해한 BURR 및 WELDLINE 등이 없을 것.
- 2.적용 TERMINAL(O25II) : ST741345-3, ST741346-3, △ST741345-G, △ST741346-G
적용 TERMINAL(N060) : ST741331-3, ST741332-3, ST741333-3, △ST741405-3, △ST741411-3
적용 TERMINAL(110) : ST741285-3, ST741286-3, ST741287-3, △ST741407-3, △ST741408-3
적용 TERMINAL(FAKRA) : SEE TABLE △△
적용 CONNECTOR : MG656782

△적용 CLIP : 090II CLIP류

3.제품내 함유된 6대 유해물질 (납,수은,카드뮴,6가크롬, PBBs,PBDEs)은 EU ELV 지침 및 RoHS 법규에서 지정한 최대 허용 농도를 초과해서는 안된다.

NOTE

1. MUST BE FREE OF FLASH, WELDLINE AND IMPERFECTION THAT AFFECT FUNCTION.
△2. APPLICABLE TERMINAL(O25II) : ST741345-3, ST741346-3, △ST741345-G, △ST741346-G
APPLICABLE TERMINAL(N060) : ST741331-3, ST741332-3, ST741333-3, △ST741405-3, △ST741411-3
APPLICABLE TERMINAL(110) : ST741285-3, ST741286-3, ST741287-3, △ST741407-3, △ST741408-3
APPLICABLE TERMINAL(FAKRA) : SEE TABLE △△
APPLICABLE CONNECTOR : MG656782
△ APPLICABLE CLIP : 090II CLIP
3. 6 HAZARDOUS SUBSTANCES IN PARTS (LEAD, MERCURY, CADMIUM, HEXAVALENT CHROMIUM, PBBs, PBDEs) SHALL NOT EXCEED THE MAXIMUM PERMISSIBLE CONCENTRATION PRESCRIBED UNDER EU ELV DIRECTIVE & RoHS REGULATION.

△ * 해당 도면 변경 시 로젠버그 파크라 커넥터 MG646334도 변경 검토 할 것.

GENERAL TOLERANCE (HOUSING)										USED ON
10MAX	30MAX	50MAX	70MAX	100MAX	120MAX	250MAX	250VR	ANGLE	ECCENT	
±0.15	±0.20	±0.30	±0.40	±0.50	±0.75	±0.90	±1.4	±30'	0.1	

NO.			PART NO.	PART NAME	MATERIAL	FINISH	
①	1	-	MG676395	025060110 58M HOUSING(FAKRA)	SEE TABLE	SEE TABLE	
②	-	1	MG677279	025060110 58M HOUSING NEW(FAKRA)	PBT	SEE TABLE	
③	-	-	1	MG677635	025060110 58M HOUSING NEW(FAKRA) B	PBT	SEE TABLE
④	1	-	MG676386-41	025060110 58M SPACER(FAKRA)	PBT	L/GRAY	
⑤	-	1	1	MG676386-3	025060110 58M SPACER(FAKRA)	PBT	YELLOW
⑥	1	1	1	MG676397-5	025060110 58M PLATE(FAKRA)	POM	△ BLACK

MG645912	MG646224	MG646384
----------	----------	----------

NO.	MATERIAL	COLOR
* 0	PBT	NATURAL
1		RED
2		BLUE
20		JADE
3		YELLOW
4		GRAY
40		DARK GRAY
41		LIGHT GRAY
5		BLACK
6		DARK GREEN
7		BROWN
8	LIGHT GREEN	
9	MAGENTA	
11	ORANGE	

025060110 58M ASSY(FAKRA)		025060110 58M ASSY NEW(FAKRA)		025060110 58M ASSY NEW(FAKRA) B	
PART NO.	MG645912	PART NO.	MG646224	PART NO.	MG646384
가공타입 파크라 단자 적용		△ 프레스타입 파크라 단자 적용		프레스타입 파크라 단자 적용	



ISSUE MARK

ECO-1811-517	20.05.29	STJ	KSC	CJH	20.05.29	PYJ	WDH	CMS	18.12.03
ECO-2005-286	20.03.17	HYJ	CJH	CJH	20.03.17	LND	NKT	CJH	18.02.20
ECO-1911-284	19.11.21	YCH	WDH	CMS	19.11.21	KSC	HYJ	CJH	17.12.28
ECO-1910-232	19.10.21	HYJ	CJH	CJH	19.10.21	SYL	HYJ	CJH	17.11.21
ECO-1907-337	19.07.25	STJ	HYJ	CJH	19.07.25	AJH	HYJ	CJH	17.11.01
ECO-1906-072	19.06.12	PYJ	WDH	CMS	19.06.12	AJH	KMH	CJH	17.08.17
ECO-1903-432	19.03.26	PYJ	WDH	CMS	19.03.26	AJH	LSY	SUK	15.08.20
ECO-1811-517	20.05.29	DR.	HYJ	2015.02.02	CHK.	DR.	CHK.	APP.	DATE
ECO-1903-432	19.03.26	DR.	CHK.	APP.	DATE	DR.	CHK.	APP.	DATE

MATERIAL	SEE TABLE	KETA KOREA ELECTRIC TERMINAL CO., LTD.
FINISH	SEE TABLE	
WIRE RANGE	CLASS	HYBRID
INSULATION	TYPE	O25/O60/110/FAKRA
TOLERANCE ACCEPT AS NOTED	SCALE	1/1
PART NAME	025060110 58M ASSY(FAKRA)	