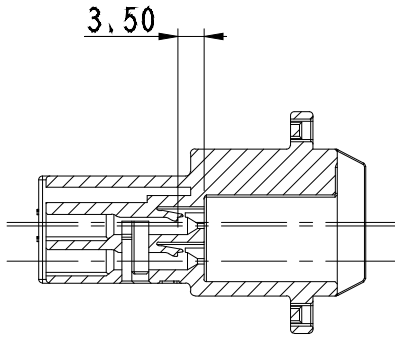
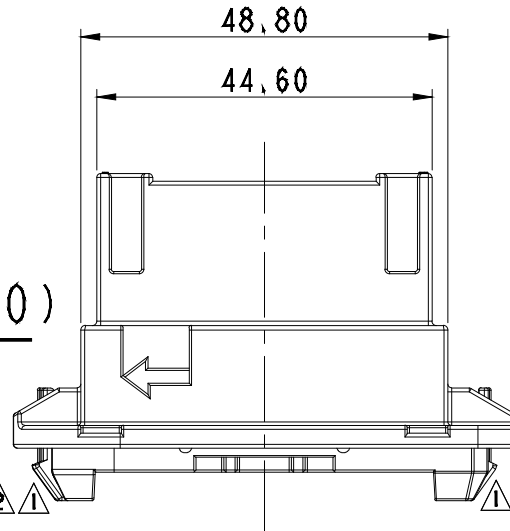


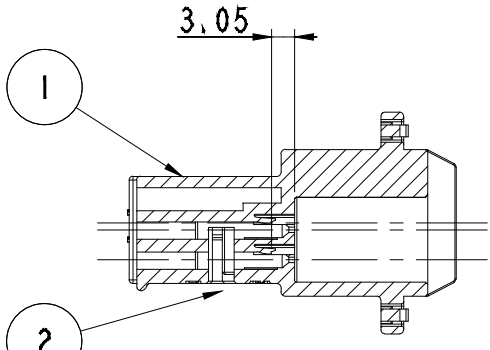
ISO VIEW



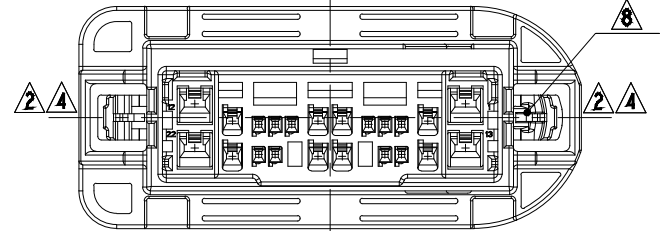
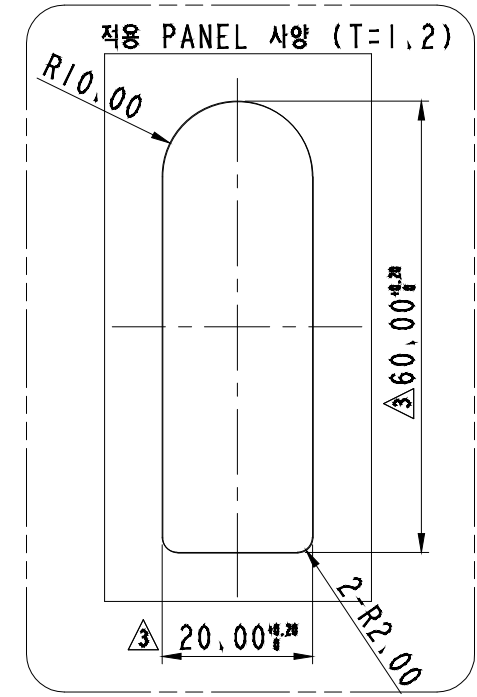
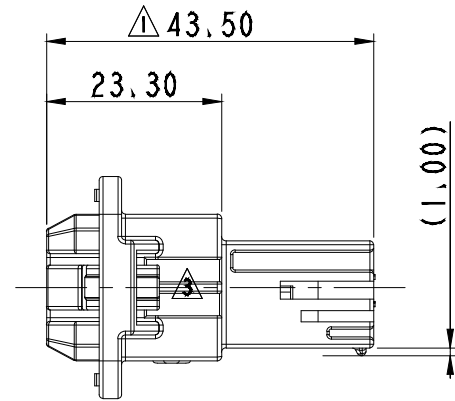
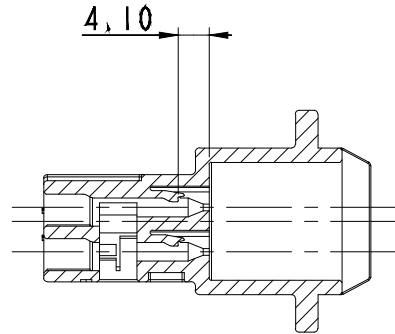
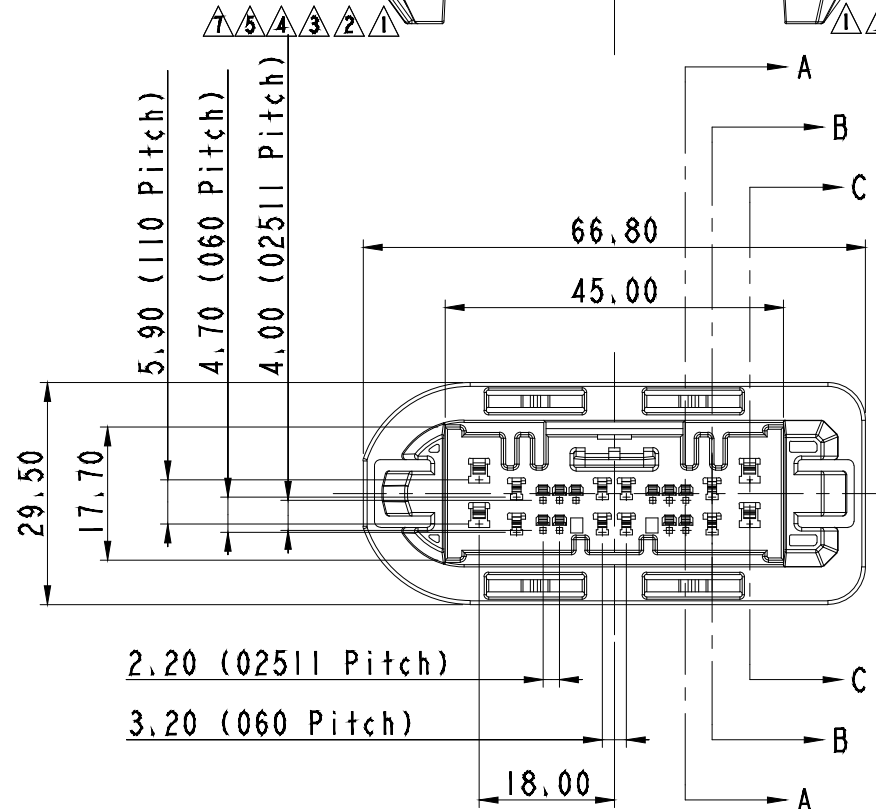
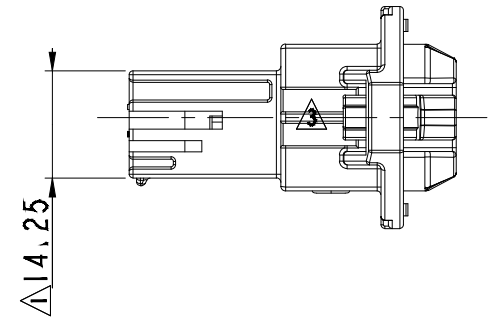
SECTION B-B(060)



SECTION C-C(110)



SECTION A-A(02511)



GENERAL TOLERANCE (HOUSING)										USED ON
10 MAX	30 MAX	50 MAX	70 MAX	100 MAX	120 MAX	250 MAX	250 VR	ANGLE	ECCENT	
±0,15	±0,2	±0,3	±0,4	±0,5	±0,75	±0,9	±1,4	±30'	0,1	

**NOTE**

- MUST BE FREE OF BURR, WELDLINE AND IMPERFECTION THAT AFFECT FUNCTION.
- APPLICABLE TERMINAL(02511) : ST741345, 1346-3  
 APPLICABLE TERMINAL(060) : ST741331, 1332, 1333-3  
 APPLICABLE TERMINAL(110) : ST741285, 1286, 1287-3  
 APPLICABLE CONNECTOR : MG656784
- 6 HAZARDOUS SUBSTANCES IN PARTS (LEAD, MERCURY, CADMIUM, HEXAVALENT CHROMIUM, PPBs, PPDEs) SHALL NOT EXCEED THE MAXIMUM PERMISSIBLE CONCENTRATION PRESCRIBED UNDER EU ELV DIRECTIVE & RoHS REGULATION.

**주 기**

- 기능상 유해한 BURR 및 WELDLINE 등이 없을 것.
- 적용 TERMINAL(02511) : ST741345, 1346-3  
 적용 TERMINAL(060) : ST741331, 1332, 1333-3  
 적용 TERMINAL(110) : ST741285, 1286, 1287-3  
 적용 CONNECTOR : MG656784
- 제품내 함유된 6대 유해물질(납, 수은, 카드뮴, 6가크롬, PPBs, PBDEs)은 EU ELV 지침 및 RoHS 법규에서 지정한 최대 허용 농도를 초과해서는 안된다.

NO	PART NAME	PART NO.	MATERIAL	COLOR	QTY.
1	025060110 22M HOUSING	MG676405	PBT	NATURAL	1
2	025060110 22M SPACER	MG676406-41	PBT	L-GRAY	1

ECO-1707-439	근거 도면 제작성	KJS	KMH	CJH	17/07/26
ECO-1512-329	근거 도면 제작성	JJH	LJE	BIN	15/12/22
ECO-1510-371	근거 도면 제작성	JJH	LJE	BIN	15/10/23
ECO-1508-172	근거 도면 제작성	JJH	SSH	SUK	15/08/18
ECO-1508-051	근거 도면 제작성	JJH	SSH	SUK	15/07/31
ECO-1507-053	근거 도면 제작성	JJH	SSH	SUK	15/07/08
ECO-1506-340	근거 도면 제작성	JJH	SSH	SUK	15/06/17
ECO-1505-180	근거 도면 제작성	JJH	KMH	LSY	15/05/18
LTR	REVISION RECORD	DR.	CHK.	APP.	DATE
DR.	JJH 2015,03,04	CHK.	AJH	2015,03,04	
CHK.	KMH 2015,03,04	APP.	LSY	2015,03,04	

MATERIAL	SEE TABLE	<b>KET</b> KOREA ELECTRIC TERMINAL CO., LTD.
FINISH	SEE TABLE	
WIRE RANGE		CLASS HYBRID
INSULATION		TYPE 025/060/110
TOLERANCE EXCEPT AS NOTED	SEE TABLE	PART NO. MG645915
SCALE	1/1	
PART_NAME	025060110 22M ASSY	



ISSUE MARK