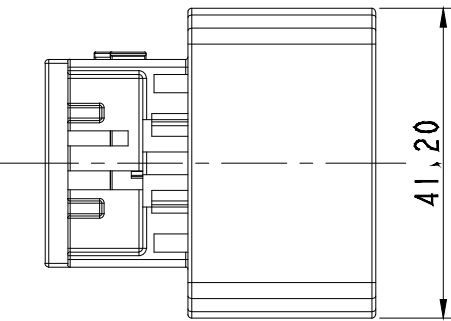
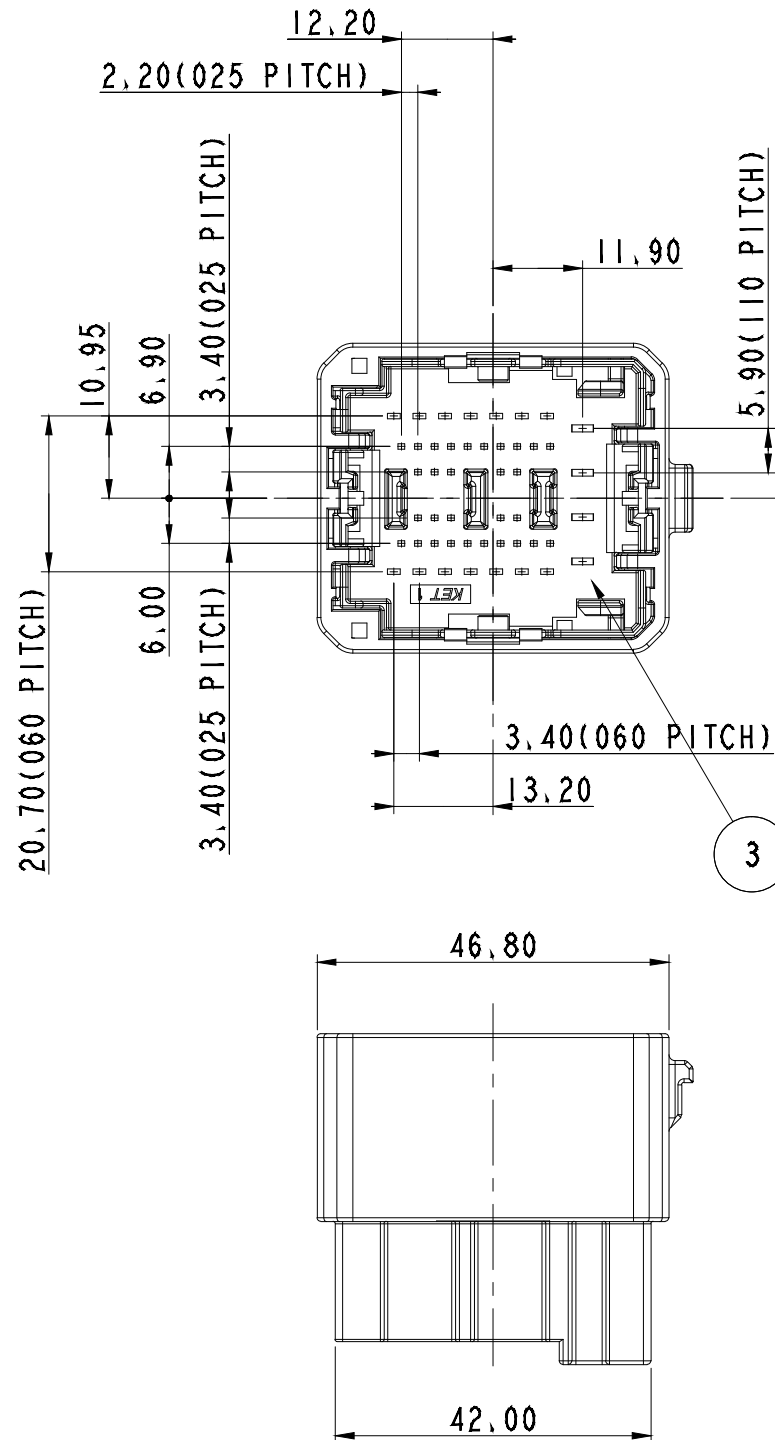


ISO VIEW



NO.	MATERIAL	COLOR
0	P B T	NATURAL
1		RED
* 2		BLUE
20		JADE
3		YELLOW
4		GRAY
40		DARK GRAY
41		LIGHT GRAY
5		BLACK
6		DARK GREEN
7		BROWN
8	LIGHT GREEN	
9	MAGENTA	
11	ORANGE	



GENERAL TOLERANCE (HOUSING)										USED ON
10 MAX	30 MAX	50 MAX	70 MAX	100 MAX	120 MAX	250 MAX	250 VR	ANGLE	ECCENT	
±0.15	±0.2	±0.3	±0.4	±0.5	±0.75	±0.9	±1.4	±30°	0.1	

NO.	PART NAME	PART NO.	MATERIAL	COLOR	QTY.
1	025060110 48M HOUSING	MG676476-2	PBT	BLUE	1
2	025060110 48M SPACER	MG676478	PBT	NATURAL	1
3	025060110 48M PLATE	MG676477-5	POM	BLACK	1

주 기

- 기능상 유해한 BURR 및 WELDLINE 등이 없을 것.
- 적용 TERMINAL(C025) : ST741360-3, 1361-3, 1360-G, 1361-G
적용 TERMINAL(C060) : ST741362-3, 1363-3, 1364-3
적용 TERMINAL(I10) : ST741285-3, 1286-3, 1287-3, 1373-3
적용 CONNECTOR : MG656798
- 제품내 함유된 6대 유해물질 (납, 수은, 카드뮴, 6가크롬, PBBs, PBDEs)은 EU ELV 지침 및 RoHS 법규에서 지정한 최대 허용 농도를 초과해서는 안된다.

NOTE

- MUST BE FREE OF FLASH, WELDLINE AND IMPERFECTION THAT AFFECT FUNCTION.
- APPLICABLE TERMINAL(C025) : ST741360-3, 1361-3, 1360-G, 1361-G
APPLICABLE TERMINAL(C060) : ST741362-3, 1363-3, 1364-3
APPLICABLE TERMINAL(I10) : ST741285-3, 1286-3, 1287-3, 1373-3
APPLICABLE CONNECTOR : MG656798
- 6 HAZARDOUS SUBSTANCES IN PARTS (LEAD, MERCURY, CADMIUM, HEXAVALENT CHROMIUM, PBBs, PBDEs) SHALL NOT EXCEED THE MAXIMUM PERMISSIBLE CONCENTRATION PRESCRIBED UNDER EU ELV DIRECTIVE & RoHS REGULATION.

APPROVED

2016-03-07

KOREA ELECTRIC
TERMINAL CO., LTD.
Korea Electric Te
rminal Co., LTD.

ISSUE MARK

				MATERIAL	SEE TABLE	KIET ENGINEERED	KOREA ELECTRIC TERMINAL CO., LTD.
				FINISH	SEE TABLE		
				WIRE RANGE	-	CLASS	HYBRID
				INSULATION	-	TYPE	025/060/110
△	경보 할력에 따른 도면 제작성	KSJ	KMH	BIN	'16.01.15	PART NO.	MG645940
LTR	REVISION RECORD	DR.	CHK.	APP.	DATE	SCALE	1/1
DR.	KSJ 2015.07.27	CHK.	KMH	APP.	2015.07.27	PART_NAME	025060110 48M ASSY
CHK.		APP.	BIN		2015.07.27		