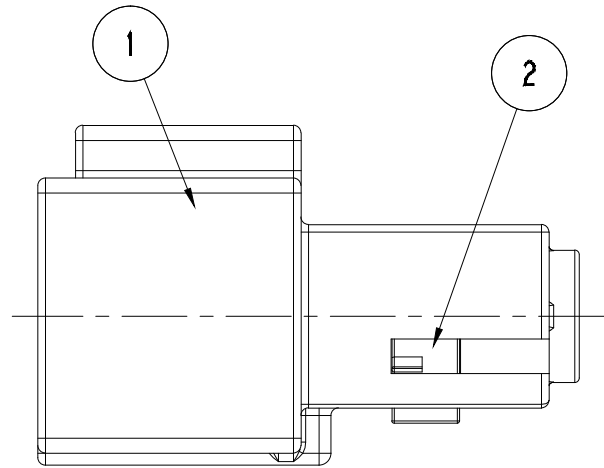
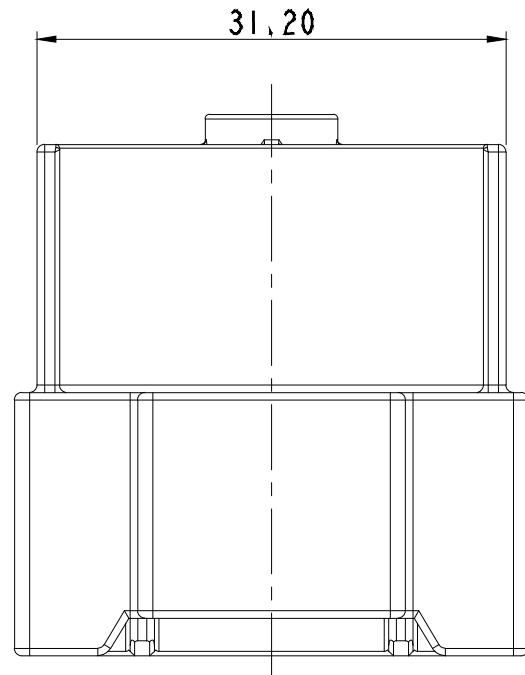


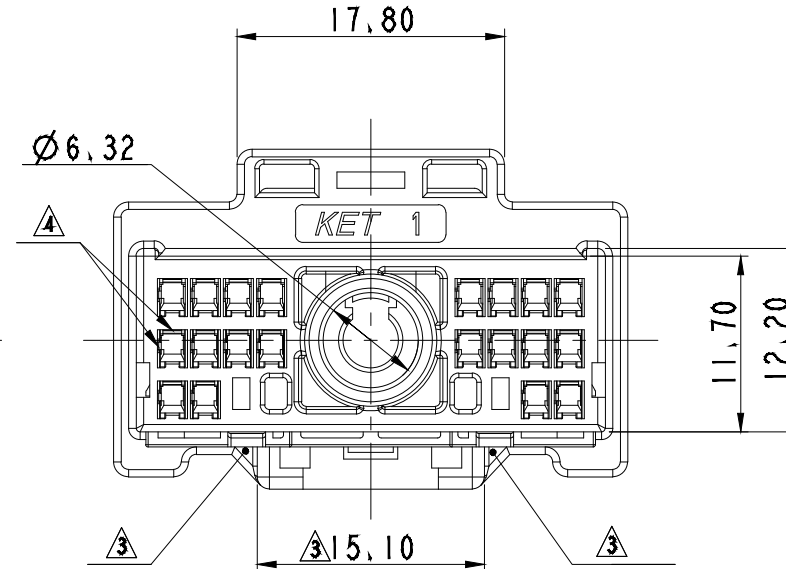
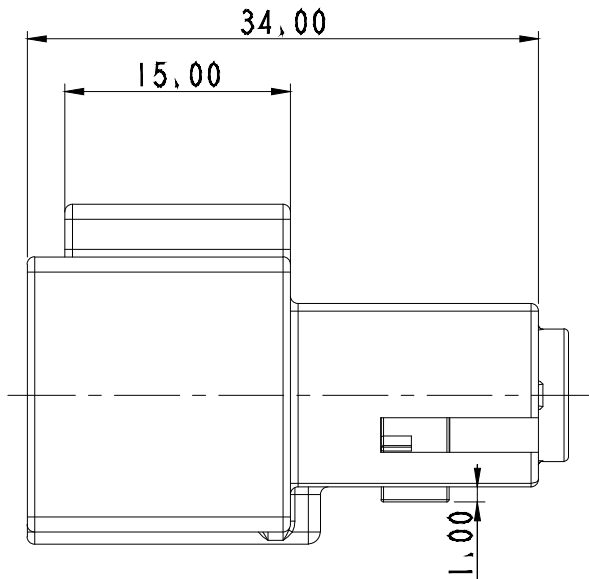
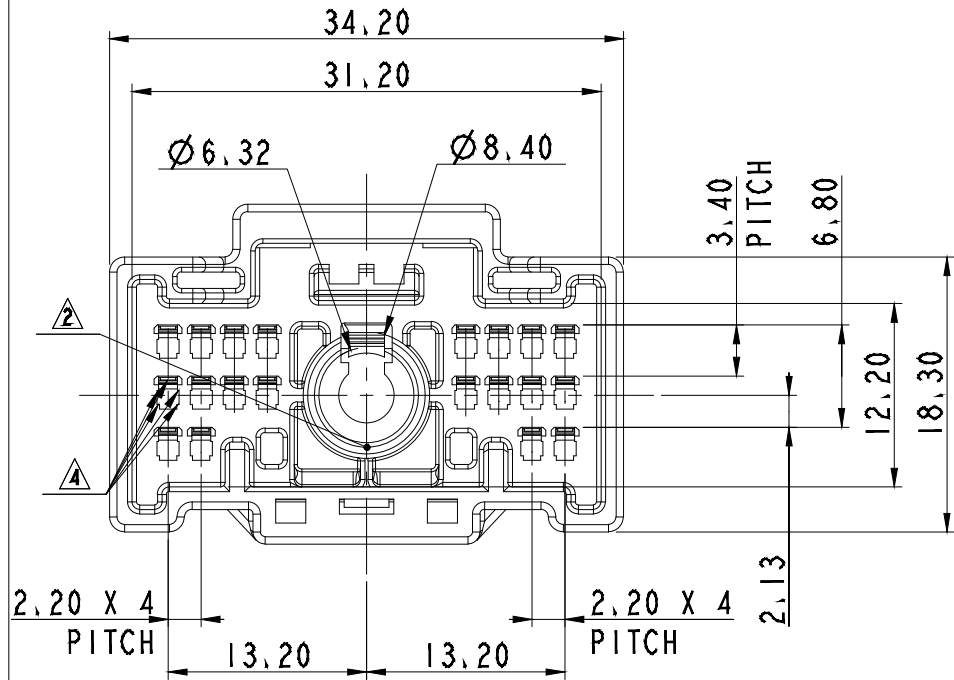
GENERAL TOLERANCE (HOUSING)										USED ON
10 MAX	30 MAX	50 MAX	70 MAX	100 MAX	120 MAX	250 MAX	250 VR	ANGLE	ECCENT	
±0.15	±0.2	±0.3	±0.4	±0.5	±0.75	±0.9	±1.4	±30'	0.1	



SECTION B-B
SCALE 2/1

NOTE
 1. MUST BE FREE OF FLASH, WELDLINE AND IMPERFECTION THAT AFFECT FUNCTION.
 2. 6 HAZARDOUS SUBSTANCES IN PARTS (LEAD, MERCURY, CADMIUM, HEXAVALENT CHROMIUM, PBBs, PBDEs) SHALL NOT EXCEED THE MAXIMUM PERMISSIBLE CONCENTRATION PRESCRIBED UNDER EU ELV DIRECTIVE & RoHS REGULATION.
 3. APPLICABLE TERMINAL ; ST741360-3, ST741361-3
 △ APPLICABLE TERMINAL (FAKRA) ; KR30201-20, KR30301-20 (Au+Sn Plate), KR00404-20
 SPACER : MG676580

NO.	MATERIAL	COLOR
* 0	P B T	NATURAL
1		RED
2		BLUE
20		JADE
3		YELLOW
4		GRAY
40		DARK GRAY
41		LIGHT GRAY
5		BLACK
6	DARK GREEN	
7	BROWN	
8	LIGHT GREEN	
9	MAGENTA	
11	ORANGE	



APPROVED

2019-11-06

**KOREA ELECTRIC
TERMINAL CO., LTD.**
Korea Electric Terminal Co., LTD.

ISO VIEW

NO	PART NO.	PART NAME	MATERIAL	FINISH	Q'TY	REMARK
1	MG676579	C025 FAKRA 2IM HOUSING	PBT	NATURAL	1	-
2	MG676580	C025 FAKRA 2IM SPACER	PBT	LIGHT GRAY	1	-

주 기
 1. 기능상 유해한 BURR 및 WELDLINE 등이 없을 것,
 2. 제품내 함유된 6대 유해물질 (납, 수은, 카드뮴, 6가크롬, PBBs, PBDEs) 은 EU ELV 지침 및 RoHS 법규에서 지정한 최대 허용 농도를 초과해서는 안된다,
 3. 적용 TERMINAL ; ST741360-3, ST741361-3
 △ 적용 TERMINAL (FAKRA) ; KR30201-20, KR30301-20 (Au+Sn Plate), KR00404-20
 적용 SPACER ; MG676580

ECO-1906-377	ECO-1811-318	ECO-1709-45T	ECO-1605-297	REVISION RECORD	MATERIAL	FINISH	WIRE RANGE	INSULATION	TOLERANCE	SCALE	PART NO.
LND KSC CJH 19/06/27	KJC HYJ CJH 18/11/21	SY, L HYJ CJH 17/09/29	CHW LIM SUK 16/05/18	DR, LCK '15.11.24	SEE TABLE	SEE TABLE	SEE NOTE	SEE NOTE	EXCEPT AS NOTED	2/1	MG645987
CHK, KMH '15.11.24	CHK, SYLEE '15.11.24	APP, LCK '15.11.24			SEE TABLE	SEE TABLE	SEE NOTE	SEE NOTE			025 FAKRA 2IM ASSY

ISSUE MARK

