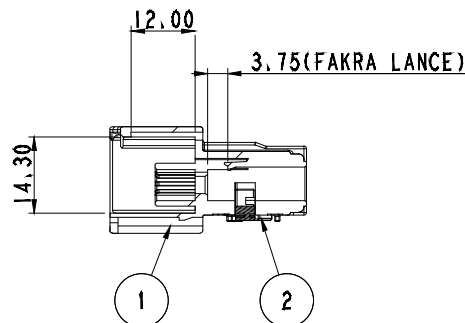
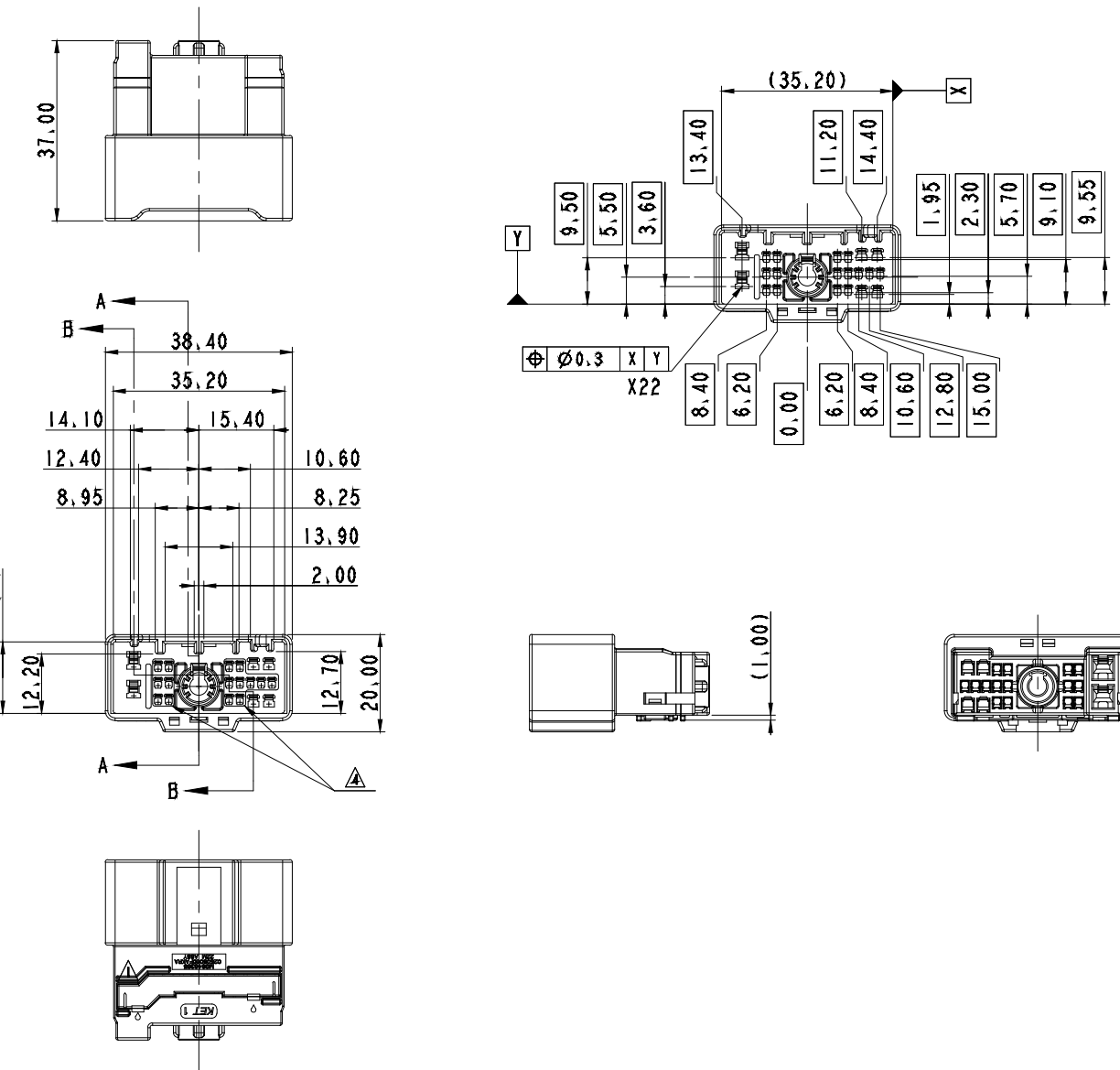
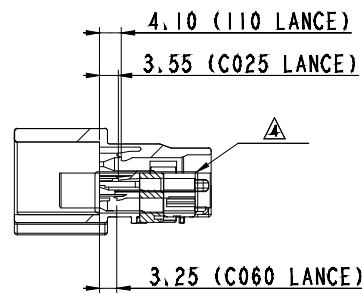


△ No.	QT 'Y	PART NAME	PART No.	MATERIAL	COLOR
①	1	025060110 22M HOUSING (FAKRA)	MG676598	PBT	SEE TABLE
②	-	025060110 22M HOUSING_NEW (FAKRA)	MG677560	PBT	SEE TABLE
③	1	025060110 22M SPACER (FAKRA)	MG676601-41	PBT	L/GRAY
④	-	025060110 22M SPACER (FAKRA)	MG676601-3	PBT	YELLOW



SECTION A-A



SECTION B-B

△	025060110 22M ASSY (FAKRA)	025060110 22M ASSY_NEW (FAKRA)
	PART NO. MG645996	PART NO. MG646365
	가공타입 FAKRA 단지 적용	프레스타입 FAKRA 단지 적용

GENERAL TOLERANCE (HOUSING)										USED ON
10 MAX	30 MAX	50 MAX	70 MAX	100 MAX	120 MAX	250 MAX	250 VR	ANGLE	ECCENT	
±0.15	±0.2	±0.3	±0.4	±0.5	±0.75	±0.9	±1.4	±30'	0.1	

- 주 기  
 1. 기능상 유해한 BURR 및 WELDLINE 등이 없을 것.  
 2. 제품내 함유된 6대 유해물질 (납,수은,카드뮴,6가크롬, PBBs,PBDEs) 은 EU ELV 지침 및 RoHS 법규에서 지정한 최대 허용 농도를 초과해서 는 안된다.  
 3. 적용 TERMINAL(025) : ST741360-3, ST741361-3  
 적용 TERMINAL(060) : ST741362-3, ST741363-3, ST741364-3  
 적용 TERMINAL(110) : ST741285-3, ST741286-3, ST741287-3  
 △ 적용 TERMINAL(FAKRA) : SEE TABLE  
 △ 적용 CONNECTOR : MG656846

- NOTE  
 1. MUST BE FREE OF FLASH, WELDLINE AND IMPERFECTION THAT AFFECT FUNCTION,  
 2. 6 HAZARDOUS SUBSTANCES IN PARTS (LEAD, MERCURY, CADMIUM, HEXAVALENT CHROMIUM, PBBs, PBDEs) SHALL NOT EXCEED THE MAXIMUM PERMISSIBLE CONCENTRATION PRESCRIBED UNDER EU ELV DIRECTIVE & RoHS REGULATION.  
 3. APPLICABLE TERMINAL(025) : ST741360-3, ST741361-3  
 APPLICABLE TERMINAL(060) : ST741362-3, ST741363-3, ST741364-3  
 APPLICABLE TERMINAL(110) : ST741285-3, ST741286-3, ST741287-3  
 △ APPLICABLE TERMINAL(FAKRA) : SEE TABLE  
 △ APPLICABLE SPACER : MG656846

NO.	MATERIAL	COLOR
0	P B T	NATURAL
1		RED
2		BLUE
20		JADE
3		YELLOW
4		GRAY
40		DARK GRAY
41		LIGHT GRAY
5		BLACK
6		DARK GREEN
7		BROWN
8		LIGHT GREEN
9		MAGENTA
11		ORANGE

△ FAKRA TM'L 별 적용 HS'G ASSY PART NO.		
FAKRA TM'L 기준	FAKRA TM'L PART NO.	HS'G ASSY PART NO.
가공형	MALE KR30301-20 (Au+Sn PLATE) KR30201-20 KR00404-20	MG645996
	FEMALE KR20301-20 (Au+Sn PLATE) KR20202-20 KR00404-20	MG656846
프레스형	MALE KR30301-20 (Au+Sn PLATE) KR30202-20 KR00406-20 △KR00408-20	MG646365
	FEMALE KR20301-20 (Au+Sn PLATE) KR20203-20 KR00406-20 △KR00408-20	MG656846



ECO-2106-044 근거 도면 제작일	SHW	HTJ	21.06.18	MATERIAL	SEE TABLE	KET KOREA ELECTRIC TERMINAL CO., LTD. ENGINEERED
ECO-2005-206 근거 도면 제작일	STJ	KSC	CJH	20.05.29	FINISH	
ECO-1908-218 근거 도면 변경	PYJ	AJH	CMS	19.08.22	WIRE RANGE	CLASS C025/C060/110/FAKRA
ECO-1706-384 근거 도면 변경	PYP	CKY	SUK	17/07/25	INSULATION	TYPE 비병수
표사실시 할역에 따른 도면 제작일	JJH	CKY	SUK	16/12/21	SCALE	PART NO. MG645996
LTR REVISION RECORD	DR.	CHK.	APP.	DATE	SEE TABLE	PART-NAME
DR. YJK 2015.12.28	CHK. LJE	2015.12.29				C025060110 FAKRA 22M ASSY
CHK.	APP. BIN	2015.12.29				