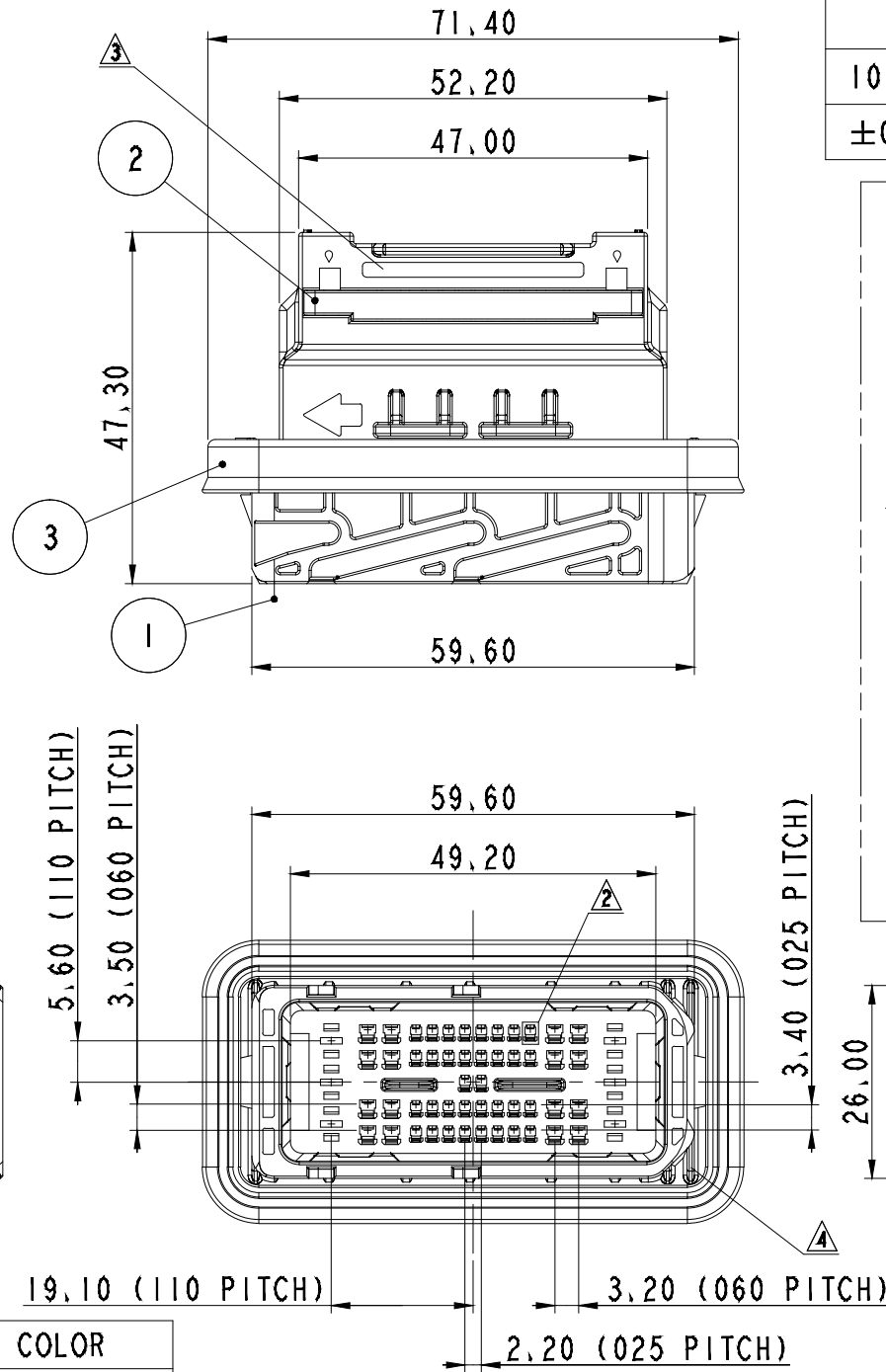
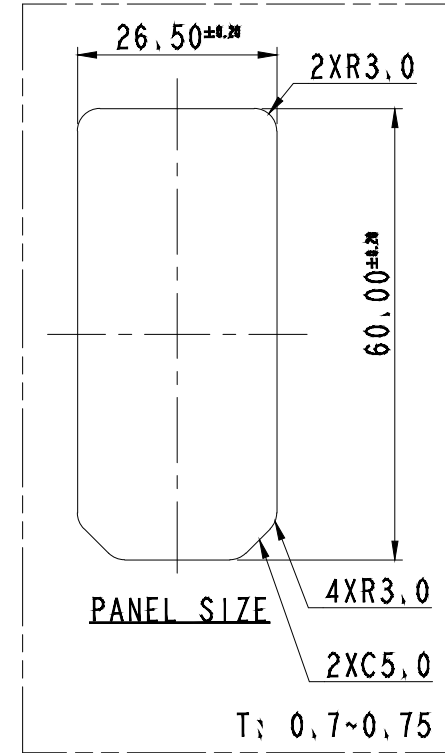


ISO VIEW



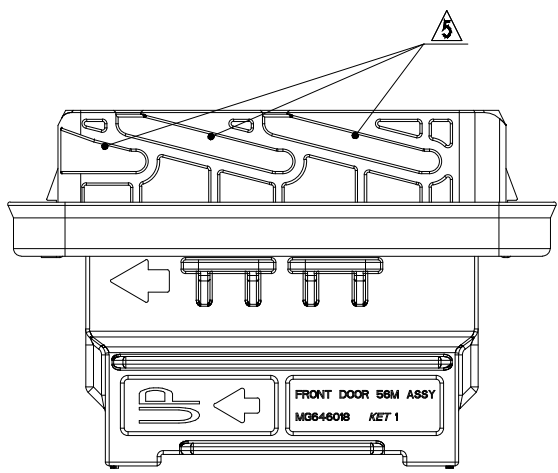
GENERAL TOLERANCE (HOUSING)										USED ON
10 MAX	30 MAX	50 MAX	70 MAX	100 MAX	120 MAX	250 MAX	250 VR	ANGLE	ECCENT	
±0,15	±0,2	±0,3	±0,4	±0,5	±0,75	±0,9	±1,4	±30'	0,1	



주 기  
 1. 기능상 유해한 BURR 및 WELDLINE 등이 없을 것,  
 2. 적용 TERMINAL(C025) : ST741360-3, ST741361-3, ST741360-G, ST741361-G  
 적용 TERMINAL(C060) : ST741362-3, ST741363-3, ST741364-3, ST741362-G, ST741363-G, ST741364-G  
 적용 TERMINAL(N110) : ST741367-3, ST741368-3, ST741369-3  
 적용 CONNECTOR : MG656866  
 3. 제품내 함유된 6대 유해물질 (납,수은,카드뮴,6가크롬, PBBs, PBDEs)은 EU ELV 지침 및 RoHS 법규에서 지정한 최대 허용 농도를 초과해서는 안된다.

NOTE  
 1. MUST BE FREE OF BURR, WELDLINE AND IMPERFECTION THAT AFFECT FUNCTION.  
 2. APPLICABLE TERMINAL(C025) : ST741360-3, ST741361-3, ST741360-G, ST741361-G  
 APPLICABLE TERMINAL(C060) : ST741362-3, ST741363-3, ST741364-3, ST741362-G, ST741363-G, ST741364-G  
 APPLICABLE TERMINAL(N110) : ST741367-3, ST741368-3, ST741369-3  
 APPLICABLE CONNECTOR : MG656866  
 3. 6 HAZARDOUS SUBSTANCES IN PARTS (LEAD, MERCURY, CADMIUM, HEXAVALENT CHROMIUM, PBBs, PBDEs) SHALL NOT EXCEED THE MAXIMUM PERMISSIBLE CONCENTRATION PRESCRIBED UNDER EU ELV DIRECTIVE & RoHS REGULATION.

NO.	MATERIAL	COLOR
0	P B T	NATURAL
1		RED
2		BLUE
20		JADE
3		YELLOW
4		GRAY
40		DARK GRAY
41		LIGHT GRAY
* 5		BLACK
6		DARK GREEN
7		BROWN
8	LIGHT GREEN	
9	MAGENTA	
11	ORANGE	



NO.	PART NAME	PART NO.	MATERIAL	COLOR	Q'TY
1	FRONT DOOR 56M HOUSING	MG676659	PBT	SEE TABLE	1
2	FRONT DOOR 56M SPACER	MG676660-41	PBT	L/GRAY	1
3	FRONT DOOR 56M GASKET	R603455	EPDM	BLACK	1

NO.	REVISION RECORD	DR.	CHK.	APP.	DATE	TOLERANCE EXCEPT AS NOTED	SCALE	PART NO.
1	ECO-1907-232 근거 도면 제작성	KJH	HYJ	CJH	'19.07.17	SEE TABLE	1/1	MG646018
2	ECO-1808-364 근거 도면 제작성	KJC	HYJ	CJH	'18.08.30	SEE TABLE	1/1	MG646018
3	ECO-1807-316 근거 도면 제작성	KJC	HYJ	CJH	'18.08.09	SEE TABLE	1/1	MG646018
4	ECO-1801-113 근거 도면 제작성	HYJ		CJH	'18.05.18	SEE TABLE	1/1	MG646018
5	ECO-1801-113 근거 도면 제작성	LCK	WDH	CMS	'18.01.08	SEE TABLE	1/1	MG646018
6	점사 실적서 일괄해 피본 도면 제작성 (ECO-1712-058)	LCK	WON	CMS	'17.12.19	SEE TABLE	1/1	MG646018
LTR	REVISION RECORD	DR.	CHK.	APP.	DATE	SEE TABLE	1/1	MG646018
	DR. LCK 2016.08.10		CHK. LJE 2016.08.11			SEE TABLE	1/1	MG646018
	CHK.		APP. BIN 2016.08.11			SEE TABLE	1/1	MG646018

ISSUE MARK	
MATERIAL	SEE TABLE
FINISH	SEE TABLE
WIRE RANGE	CLASS 025/060
INSULATION	TYPE -

