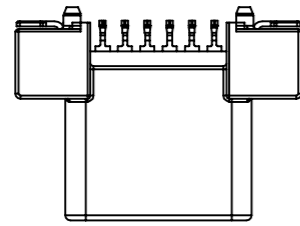
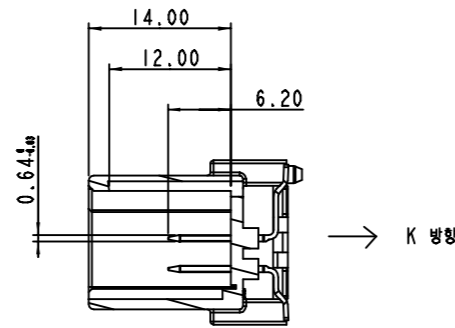


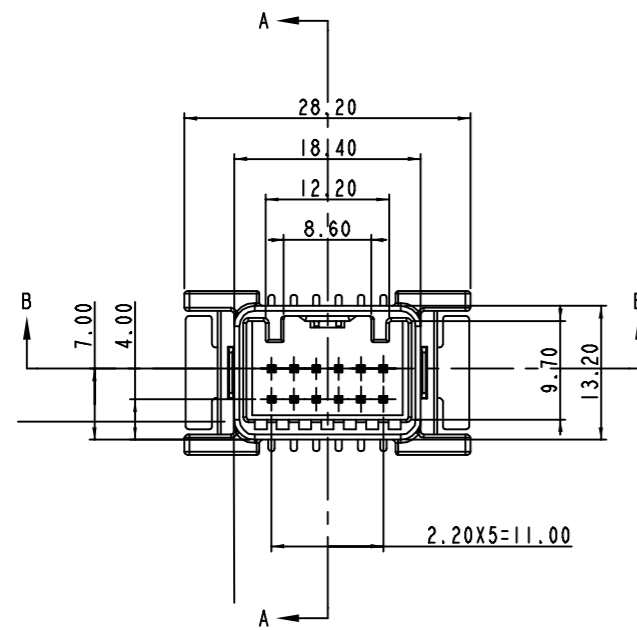
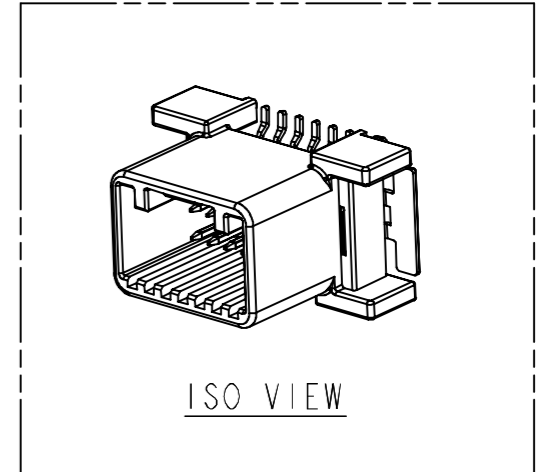
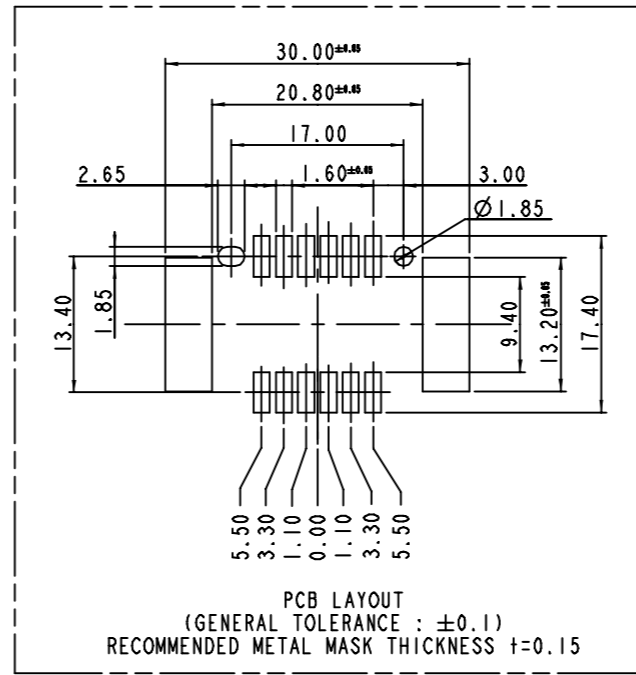
GENERAL TOLERANCE (TERMINAL)					GENERAL TOLERANCE (HOUSING)							USED ON
10 MAX	20 MAX	45 MAX	ANGLE	ECCENT	10 MAX	50 MAX	100 MAX	250 MAX	250 VR	ANGLE	ECCENT	
±0.2	±0.25	±0.3	±30'	0.1	±0.2	±0.3	±0.55	±0.95	±1.4	±30'	0.1	



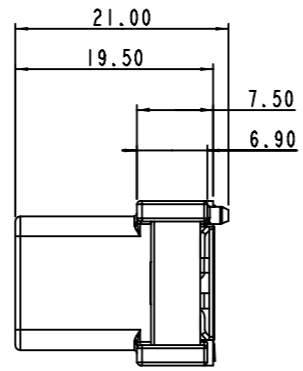
J 방향 ←



SECTION A-A

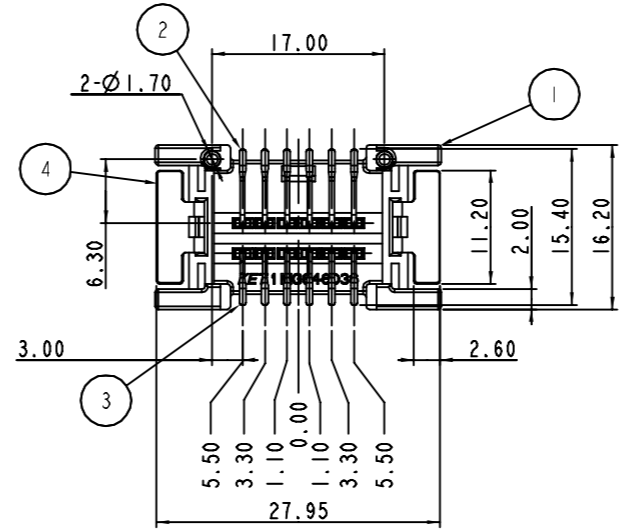


SECTION B-B



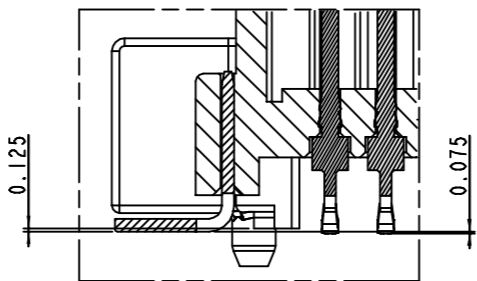
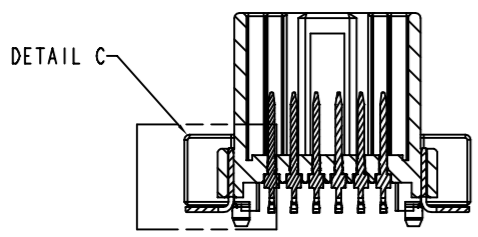
DETAIL C

SCALE 5/1



- 주요
- 지시하지 않은 반경 R은 0.3로 한다
 - 지시하지 않은 모따기 C는 0.3으로 한다
 - 기능상 유해한 BURR 및 WELDLINE 등이 없을 것
 - 단자 삽입시 단자에 수지가 부착 되지 않을 것
 - 적용 FEMALE HOUSING : MG656913
 - TERMINAL 고착력 : "J" 방향 4kgf 이상, "K" 방향 2kgf 이상
 - 중요 치수 포인트
 - TERMINAL 도금 사양
 - SOLDER부 : Ni 하지 1.0~3.0um, Sn(무광) 2.5~4.0um(Reflow)
 - CONTACT부 : Ni 하지 1.0~3.0um, Sn(무광) 1.0~2.0um(Reflow)
 - SIDE TERMINAL부 : Ni 하지 1.0~3.0um, Sn(무광) 5.0~8.0um
 - 제품내 함유된 6대 유해물질 (납,수은,카드뮴,6가크롬, PBBs, PBDEs)은 EU ELV 지침 및 RoHS 규약에서 지정한 최대 허용 농도를 초과해서는 안된다

- NOTE
- UNLESS OTHERWISE SPECIFIED ALL RADIUS TO BE 0.3 RADIUS
 - UNLESS OTHERWISE SPECIFIED ALL CHAMFERS TO BE 0.3 CHAMFER
 - MUST BE FREE OF BURR, WELDLINE AND IMPERFECTION THAT AFFECT FUNCTION
 - WHEN THE TERMINAL IS INSERTED UNDER PRESSURE, PLASTICS SHALL NOT ADHERE TO SURFACE OF TERMINAL
 - APPLICABLE FEMALE HOUSING: MG656913
 - TERMINAL RETENTION FORCE : J-DIRECTION MIN 4kgf
K-DIRECTION MIN 2kgf
 - CONCESSION POSSIBLE DIMENSION
 - TERMINAL PLATING SPECIFICATION
 - SOLDER PART : Ni UNDER 1.0~3.0um, Sn(MATT) 2.5~4.0um(Reflow)
 - CONTACT PART : Ni UNDER 1.0~3.0um, Sn(MATT) 1.0~2.0um(Reflow)
 - SIDE TERMINAL PART : Ni UNDER 1.0~3.0um, Sn(MATT) 5.0~8.0um
 - 6 HAZARDOUS SUBSTANCES IN PARTS (LEAD, MERCURY, CADMIUM, HEXAVALENT CHROMIUM, PBBs, PBDEs) SHOULD NOT EXCEED THE MAXIMUM PERMISSIBLE CONCENTRATION PRESCRIBED UNDER EU ELV DIRECTIVE & RoHS REGULATION



NO.	MATERIAL	COLOR
0		NATURAL
1	PPS+GF40%	RED
2		BLUE
20		JADE
3		YELLOW
4		GRAY
40		DARK GRAY
41		LIGHT GRAY
* 5		BLACK
6		DARK GREEN
△* 7		BROWN
8		LIGHT GREEN
9		MAGENTA
11		ORANGE

△ 완제품 포장 사양

ASSY NO.	포장사양
MG646036-5	TUBE+종이BOX
MG646036-7	TUBE+종이BOX
MG646036-5L	TRAY+종이BOX

APPROVED

2021-11-03

KOREA ELECTRIC TERMINAL CO., LTD.
Korea Electric Terminal Co., LTD.

NO	PART NAME	PART NO	MATERIAL	FINISH	QTY
1	02511 12M SMD HOUSING	MG676814-5 △MG676814-7	SEE TABLE	BLACK BROWN	1
2	025 SMD MALE TERMINAL(L)	ST792608-2	C2600R-H	Sn 후도금(무광)-Reflow	6
3	025 SMD MALE TERMINAL(S)	ST792609-2	C2600R-H	Sn 후도금(무광)-Reflow	6
4	025 SIDE BRACKET	ST792240-2	C2680R-1/2H	Sn 후도금(무광)	2

MATERIAL	SEE TABLE	FINISH	SEE TABLE	WIRE RANGE	-	CLASS	02511
ECO-2003-086 근거 도면 재작성	JH, YSW, SSH '20.03.05	INSULATION	-	TYPE	SMD	Korea Electric Terminal Co., Ltd.	
ECO-1812-082 근거 도면 재작성	LND, KSC, CJH '18.12.07	SCALE	2/1	PART NO.	MG646036-5	Korea Electric Terminal Co., Ltd.	
REVISION RECORD	DR, CHW, APP, DATE	SCALE	2/1	PART NAME	02511 12M SMD ASSY	Korea Electric Terminal Co., Ltd.	
DR. MSJ '16.11.07	CHK. SSH '16.11.10	SCALE	2/1	PART NAME	02511 12M SMD ASSY	Korea Electric Terminal Co., Ltd.	
CHK.	APP. BIN '16.11.10						