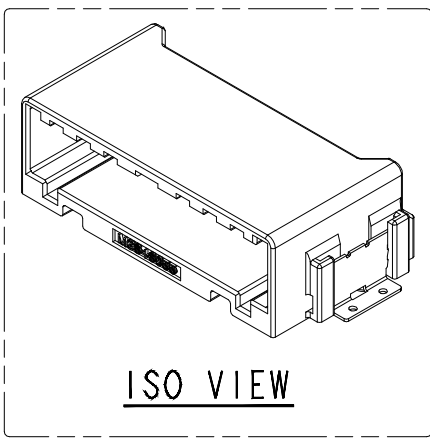
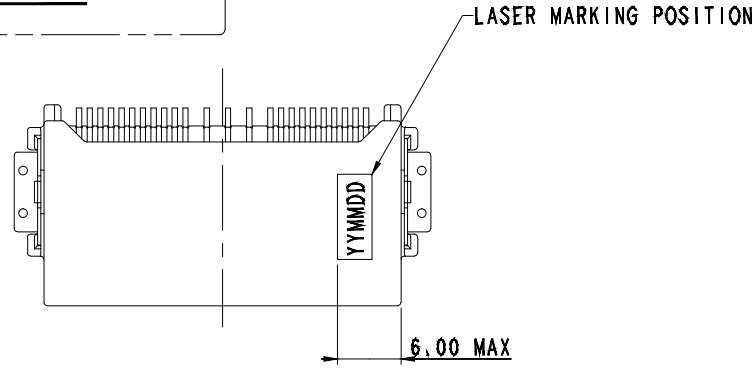


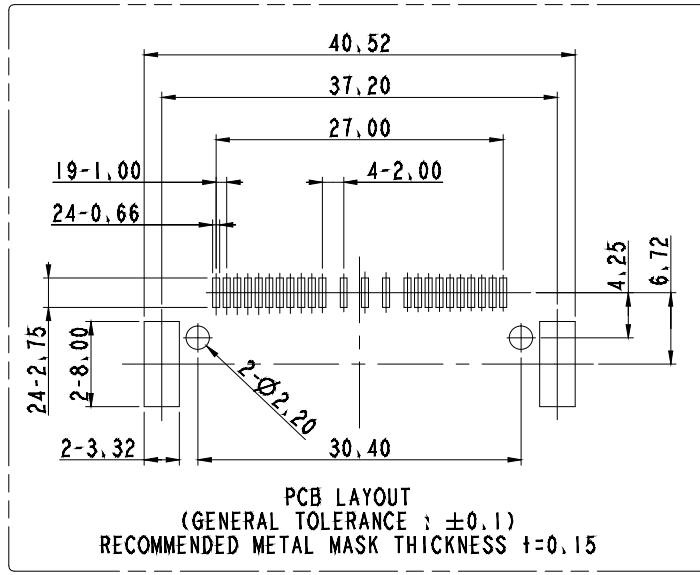
PART NO. SEE TABLE  
CUSTOMER DRAWING



ISO VIEW



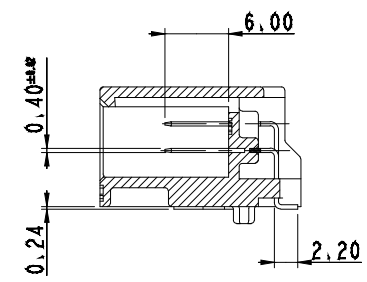
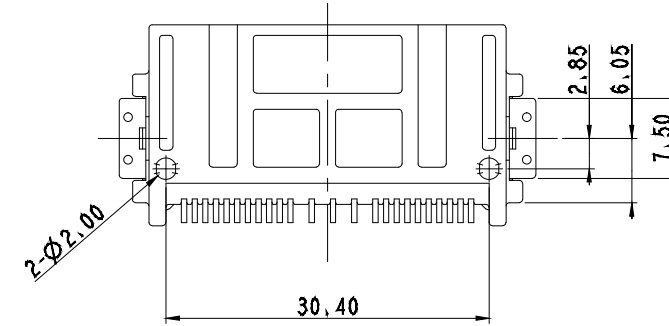
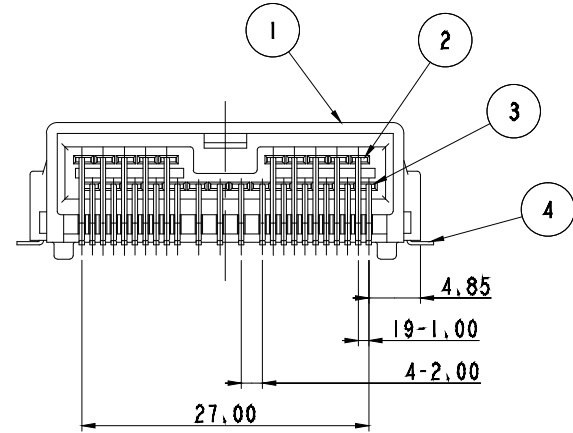
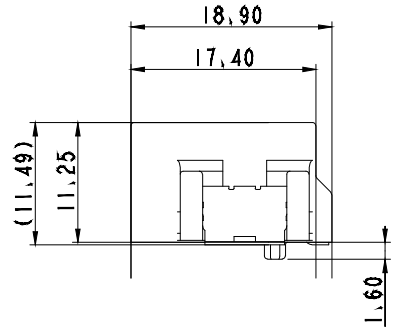
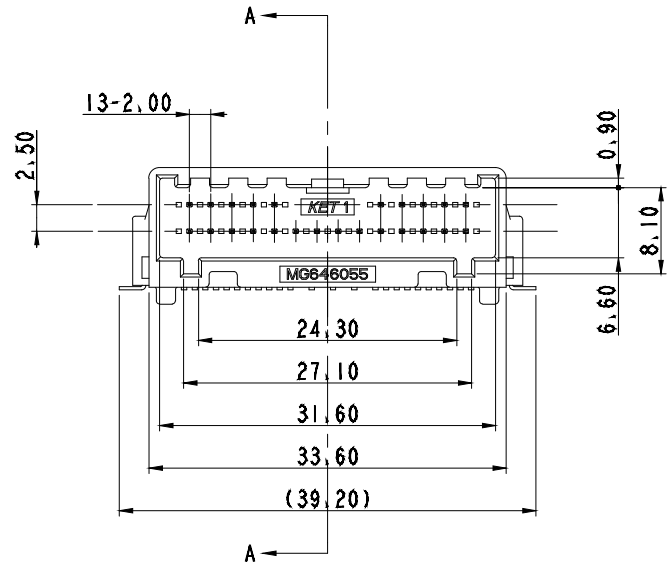
LASER MARKING POSITION



GENERAL TOLERANCE (TERMINAL)					GENERAL TOLERANCE (HOUSING)						USED ON	
10 MAX	20 MAX	45 MAX	ANGLE	ECCENT	10 MAX	50 MAX	100 MAX	250 MAX	250VR	ANGLE	ECCENT	
±0.2	±0.25	±0.3	±30'	0,1	±0.20	±0.30	±0.55	±0.95	±1.4	±30'	0,1	

020 24M SMD ASSY A		020 24M SMD ASSY B	
PART No MG646055	FINISH NATURAL	PART No MG646166-5	FINISH BLACK



SECTION A-A

NO.	MATERIAL	COLOR
* 0	LCP-GF30	NATURAL
1		RED
2		BLUE
20		JADE
3		YELLOW
4		GRAY
40		DARK GRAY
41		LIGHT GRAY
* 5		BLACK
6		DARK GREEN
7		BROWN
8		LIGHT GREEN
9		MAGENTA
11		ORANGE

- 주 기  
 1, 지시하지 않은 반경 R은 0,3로 한다,  
 2, 기능상 유해한 BURR 및 WELDLINE 등이 없을 것,  
 3, 적용 FEMALE HOUSING : MG656893  
 4, 단자 주석 도금 - TYPE A Sn(무광), (MS915-01)  
 Ni 하지 도금 + Sn(무광) + Reflow  
 5, 제품내 함유된 6대 유해물질 (납,수은,카드뮴,6가크롬, PBBs,PBDEs)은 EU ELV 지침 및 RoHS 법규에서 지정한 최대 허용 농도를 초과해서는 안된다.

- NOTE  
 1, UNLESS OTHERWISE SPECIFIED ALL RADIUS TO BE 0,3 RADIUS.  
 2, MUST BE FREE OF FLASH, WELDLINE AND IMPERFECTION THAT AFFECT FUNCTION,  
 3, APPLICABLE FEMALE HOUSING: MG656893  
 4, TIN-PLATED TERMINAL - TYPE A Sn(MATT), (MS915-01) Ni-PLATED UNDER + Sn(MATT) + Reflow  
 5, 6 HAZARDOUS SUBSTANCES IN PARTS (LEAD, MERCURY, CADMIUM, HEXAVALENT CHROMIUM, PBBs, PBDEs) SHALL NOT EXCEED THE MAXIMUM PERMISSIBLE CONCENTRATION PRESCRIBED UNDER EU ELV DIRECTIVE & RoHS REGULATION.



ISSUE MARK

NO	PART NAME	PART NO	MATERIAL	FINISH	QTY
1	020 24M SMD HOUSING A	MG676740	SEE TABLE	NATURAL	1
	020 24M SMD HOUSING B	MG677061-5		BLACK	
2	020 SMD MALE TERMINAL(L)	ST792584-2	BRASS	Sn 후도금(무광)-Reflow	10
3	020 SMD MALE TERMINAL(S)	ST792585-2	BRASS	Sn 후도금(무광)-Reflow	14
4	020 SIDE BRACKET	ST792586-2	BRASS	Sn 후도금(무광)	2

MATERIAL	SEE TABLE		KOREA ELECTRIC TERMINAL CO., LTD.	
FINISH	SEE TABLE			
WIRE RANGE	CLASS			020
INSULATION	TYPE			SMD
LTR	REVISION RECORD	DR, CHK, APP, DATE	SCALE 2/1	
DR, SSY 2016.08.23	CHK,		PART NO. SEE TABLE	
CHK, SSH 2016.08.24	APP, BIN 2016.08.24	PART_NAME	020 24M SMD ASSY	

DIMENSIONS IN MM