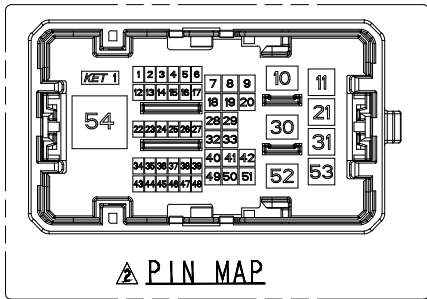
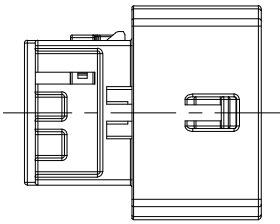
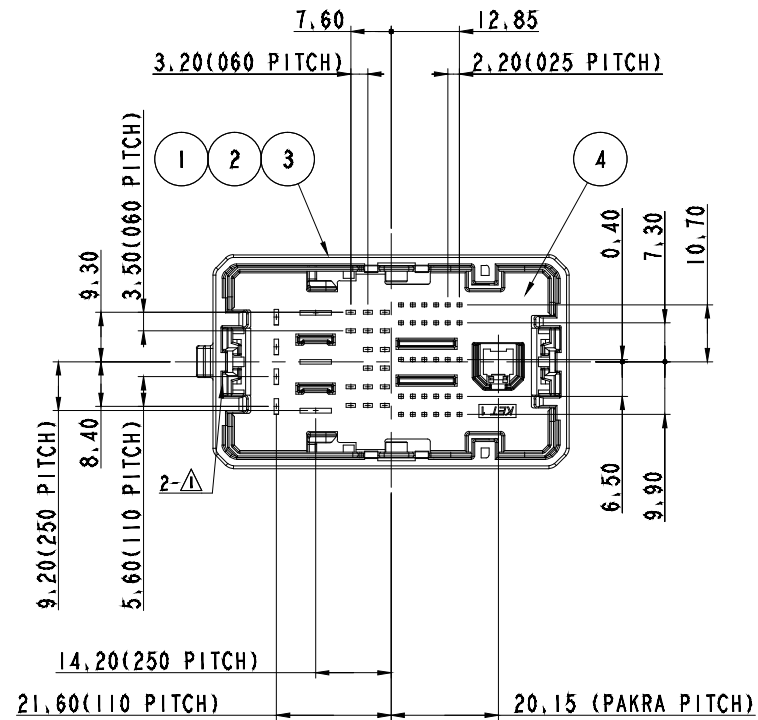
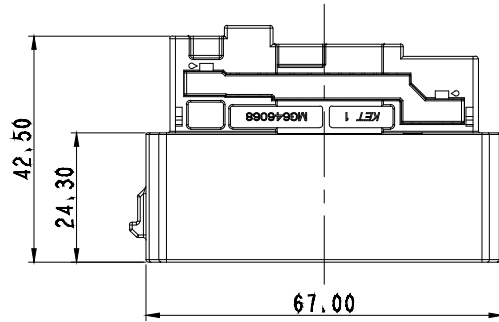
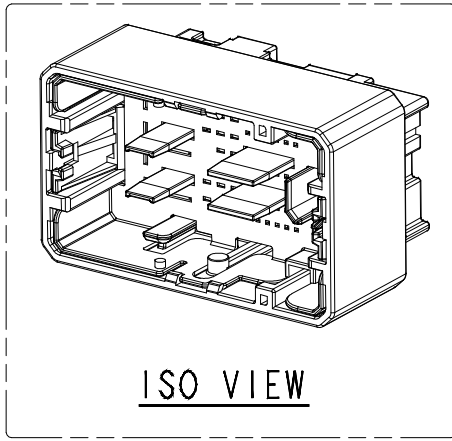
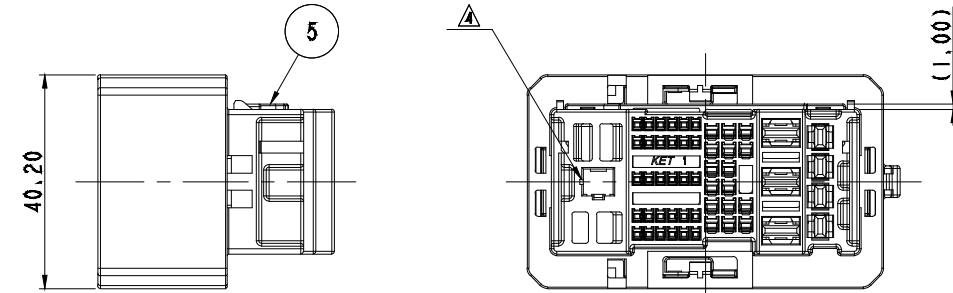


GENERAL TOLERANCE (HOUSING)										USED ON
10 MAX	30 MAX	50 MAX	70 MAX	100 MAX	120 MAX	250 MAX	250 VR	ANGLE	ECCENT	
±0.15	±0.2	±0.3	±0.4	±0.5	±0.75	±0.9	±1.4	±30'	0.1	



025060110250 FAKRA 54M ASSY		025060110250 RF 54M ASSY_LH(CLIP)		025060110250 RF 54M ASSY_RH(CLIP)	
PART NO.	MG646068	PART NO.	MG646366	PART NO.	MG646367



- 주 기
- 가능상 유해한 BURR 및 WELDLINE 등이 없을 것.
  - 적용 TERMINAL(C025) : ST741360-3, ST741361-3, ST741360-G, ST741361-G  
 적용 TERMINAL(C060) : ST741362-3, ST741363-3, ST741364-3  
 적용 TERMINAL(N110) : ST741367-3, ST741368-3, ST741369-3  
 적용 TERMINAL(N250) : ST741370-3, ST741371-3, ST741372-3, ST741393-3  
 적용 TERMINAL(FAKRA) : 1897799-2, 1897798-3, 1897797-3(TYCO)  
 적용 WIRE COVER(LH/RH) : MG635819-5, MG635820-4  
 적용 CONNECTOR : MG656907  
 적용 CLIP : 09011 TYPE CLIP
  - 재질내 함유된 6대 유해물질 (납, 수은, 카드뮴, 6가크롬, PBBs, PBDEs)은 EU ELV 지침 및 RoHS 법규에서 지정한 최대 허용 농도를 초과해서는 안된다.

- NOTE
- MUST BE FREE OF FLASH, WELDLINE AND IMPERFECTION THAT AFFECT FUNCTION.
  - APPLICABLE TERMINAL(C025) : ST741360-3, ST741361-3, ST741360-G, ST741361-G  
 APPLICABLE TERMINAL(C060) : ST741362-3, ST741363-3, ST741364-3  
 APPLICABLE TERMINAL(N110) : ST741367-3, ST741368-3, ST741369-3  
 APPLICABLE TERMINAL(N250) : ST741370-3, ST741371-3, ST741372-3, ST741393-3  
 APPLICABLE TERMINAL(FAKRA) : 1897799-2, 1897798-3, 1897797-3(TYCO)  
 APPLICABLE WIRE COVER(LH/RH) : MG635819-5, MG635820-4  
 APPLICABLE CONNECTOR : MG656907  
 APPLICABLE CLIP : 09011 TYPE CLIP
  - HAZARDOUS SUBSTANCES IN PARTS (LEAD, MERCURY, CADMIUM, HEXAVALENT CHROMIUM, PBBs, PBDEs) SHALL NOT EXCEED THE MAXIMUM PERMISSIBLE CONCENTRATION PRESCRIBED UNDER EU ELV DIRECTIVE & RoHS REGULATION.

NO.	MATERIAL	COLOR
0	P B T	NATURAL
1		RED
2		BLUE
20		JADE
3		YELLOW
4		GRAY
40		DARK GRAY
41		LIGHT GRAY
5		BLACK
6		GREEN
7		BROWN
8		LIGHT GREEN
9		MAGENTA
11		ORANGE

No.				PART NAME	PART No.	DIE NO.	MATERIAL	COLOR
1		-	-	025060110250 FAKRA 54M HOUSING	MG676793	24545	PBT GPI000K	SEE TABLE
2	-		-	025060110250 RF 54M HOUSING_LH(CLIP)	MG677561	24545-1	PBT GPI000K	RED
3	-	-		025060110250 RF 54M HOUSING_RH(CLIP)	MG677562	24545-2	PBT GPI000K	RED
4				025060110250 FAKRA 54M PLATE	MG676794-5	24546	POM K300LO	BLACK
5				025060110250 FAKRA 54M SPACER	MG676795-41	24547	PBT GPI000K	L/GRAY



ISSUE MARK

ECO-2010-175 근거 도면 제작	NYJ	CJH	20,10,19	MATERIAL	SEE TABLE	KOREA ELECTRIC TERMINAL CO., LTD.	
ECO-2008-1002 근거 도면 제작	YSS	WDH	CMS	20,09,18	FINISH		SEE TABLE
ECO-1810-0902 근거 도면 제작	YSS	WDH	CMS	19,10,30	WIRE RANGE	-	
ECO-1803-066 근거 도면 제작	JH	NYJ	CJH	18,03,08	INSULATION	-	
환경 정책 및 관련 규정 (ECO-1710-038 근거)	PYP	LJE	CMS	17,12,13	SCALE	1/1	
LTR	REVISION RECORD			DR.	CHK.	APP.	DATE
DR, WDH	2016.10.07			CHK, LJE	2016.10.07		
CHK.				APP, BIN	2016.10.07		
				PART-NAME	025060110250 FAKRA 54M ASSY		