

NO.	MATERIAL	COLOR
0	SEE TABLE	NATURAL
1		RED
11		ORANGE
2		BLUE
22		JADE
3		YELLOW
4		GRAY
41		LIGHT GRAY
42		DARK GRAY
* 5		BLACK
61		LIGHT GREEN
62		DARK GREEN
7		BROWN
9	MAGENTA	

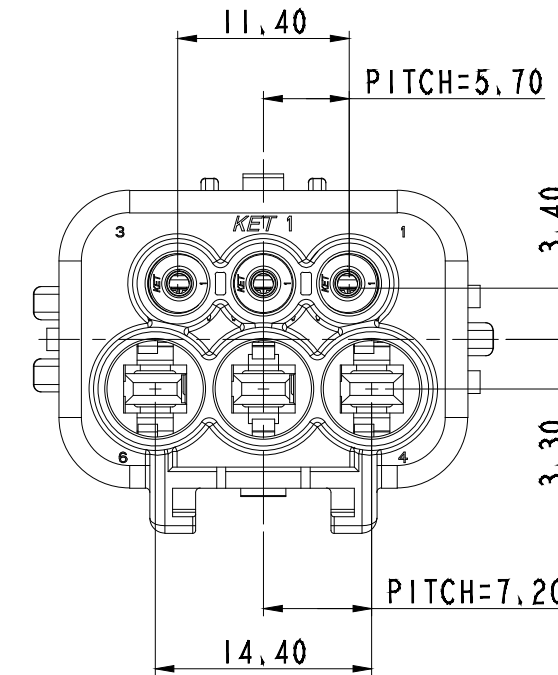
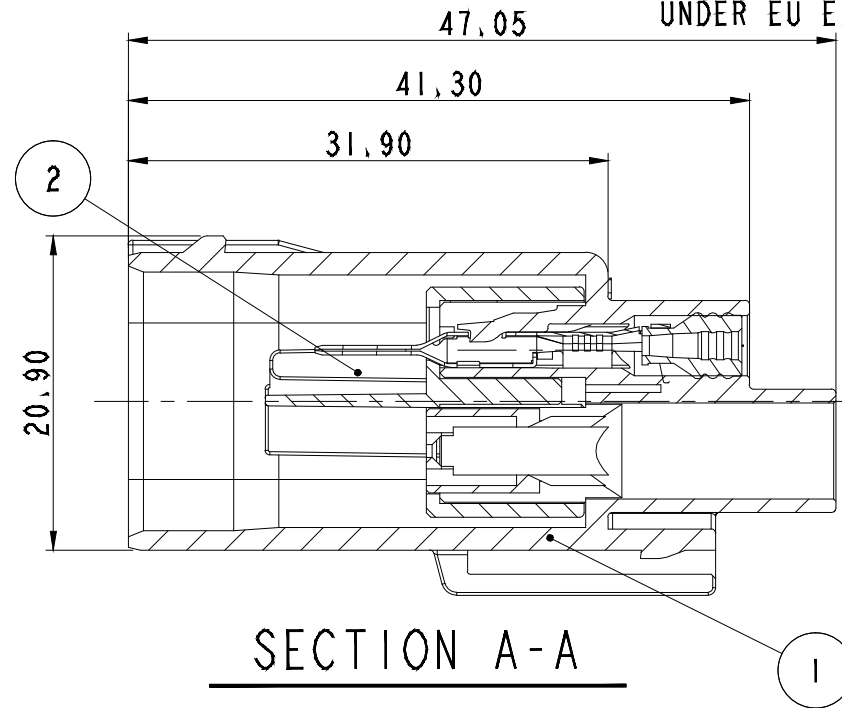
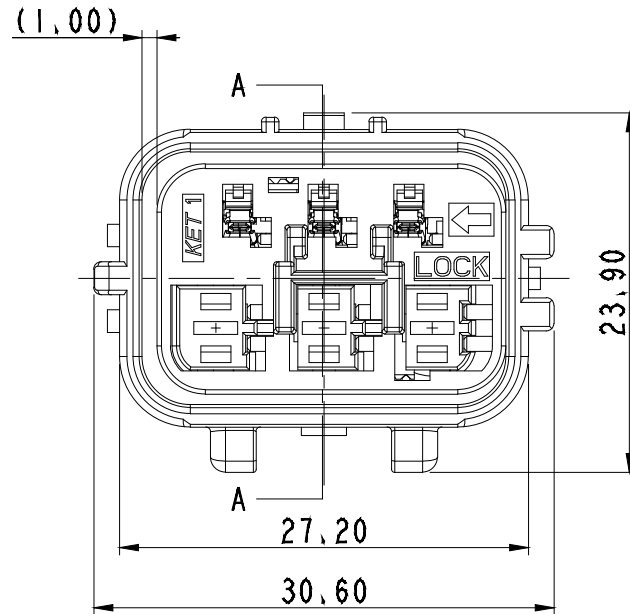
GENERAL TOLERANCE (HOUSING)										USED ON
10MAX	30MAX	50MAX	70MAX	100MAX	120MAX	250MAX	250VR	ANGLE	ECCENT	
±0.15	±0.2	±0.3	±0.4	±0.50	±0.75	±0.90	±1.4	±30'	0.1	

주 기

- 기능상 유해한 BURR 및 WELDLINE 등이 없을 것,
- 적용 TERMINAL ; (C060) ST741375-3, 1376-3 / (N110) ; ST741396-3, 741403-3
적용 DUMMY SEAL ; (C060) MG685519 / (N110) MG685542
적용 CONNECTOR ; MG656942-5
적용 CLIP ; MG631267, MG631929, MG633815, MG634834, MG633862, MG633870, MG635682, MG632970, MG631268
- 제품내 함유된 6대 유해물질 (납,수은,카드뮴,6가크롬, PBBs,PBDEs)은 EU ELV 지침 및 RoHS 법규에서 지정한 최대 허용 농도를 초과해서는 안된다,

NOTE

- MUST BE FREE OF BURR, WELDLINE AND IMPERFECTION THAT AFFECT FUNCTION.
- APPLICABLE TERMINAL ; (C060) ST741375-3, 1376-3 / (N110) ; ST741396-3, 741403-3
APPLICABLE DUMMY SEAL ; (C060) MG685519 / (N110) MG685542
APPLICABLE CONNECTOR ; MG656942-5
APPLICABLE CLIP ; MG631267, MG631929, MG633815, MG634834, MG633862, MG633870, MG635682, MG632970, MG631268
- 6 HAZARDOUS SUBSTANCES IN PARTS (LEAD, MERCURY, CADMIUM, HEXAVALENT CHROMIUM, PBBs, PBDEs) SHALL NOT EXCEED THE MAXIMUM PERMISSIBLE CONCENTRATION PRESCRIBED UNDER EU ELV DIRECTIVE & RoHS REGULATION.



NO.	PART NAME	PART NO.	MATERIAL	COLOR	QTY.
1	060110 WP 6M HOUSING	MG676920	PBT	BLACK	1
2	060110 WP 6M FRONT HOLDER	MG676921	PBT-GF30	NATURAL	1

MATERIAL	SEE TABLE	KET ENGINEERED	KOREA ELECTRIC TERMINAL CO., LTD.						
FINISH	SEE TABLE								
WIRE RANGE	-	CLASS	HYBRID WP						
INSULATION	-	TYPE	C060 / N110						
LTR	REVISION RECORD	DR.	CHK.	APP.	DATE	TOLERANCE EXCEPT AS NOTED	SCALE 2/1	PART NO.	MG646078
	DR, LJJ 2017, 04, 13		CHK, CKI 2017, 04, 13						
	CHK,		APP, LJE 2017, 04, 13					PART_NAME	060110 WP 6M ASSY

ISSUE MARK